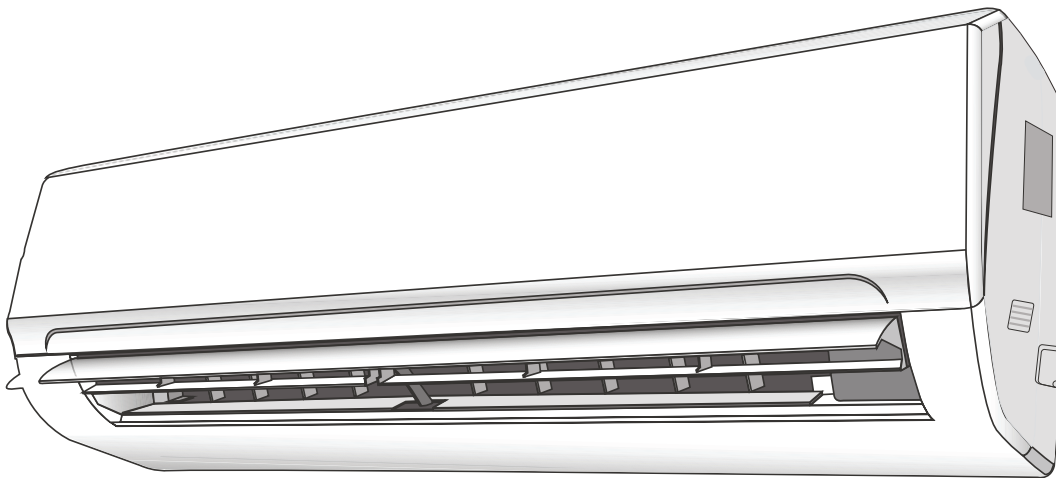


DUCTLESS MINI SPLIT SYSTEM AIR CONDITIONER / HEAT PUMP

# PIONEER®

## YN-L22 Multi-Split Series For 9,000-24,000 BTU/hr Systems

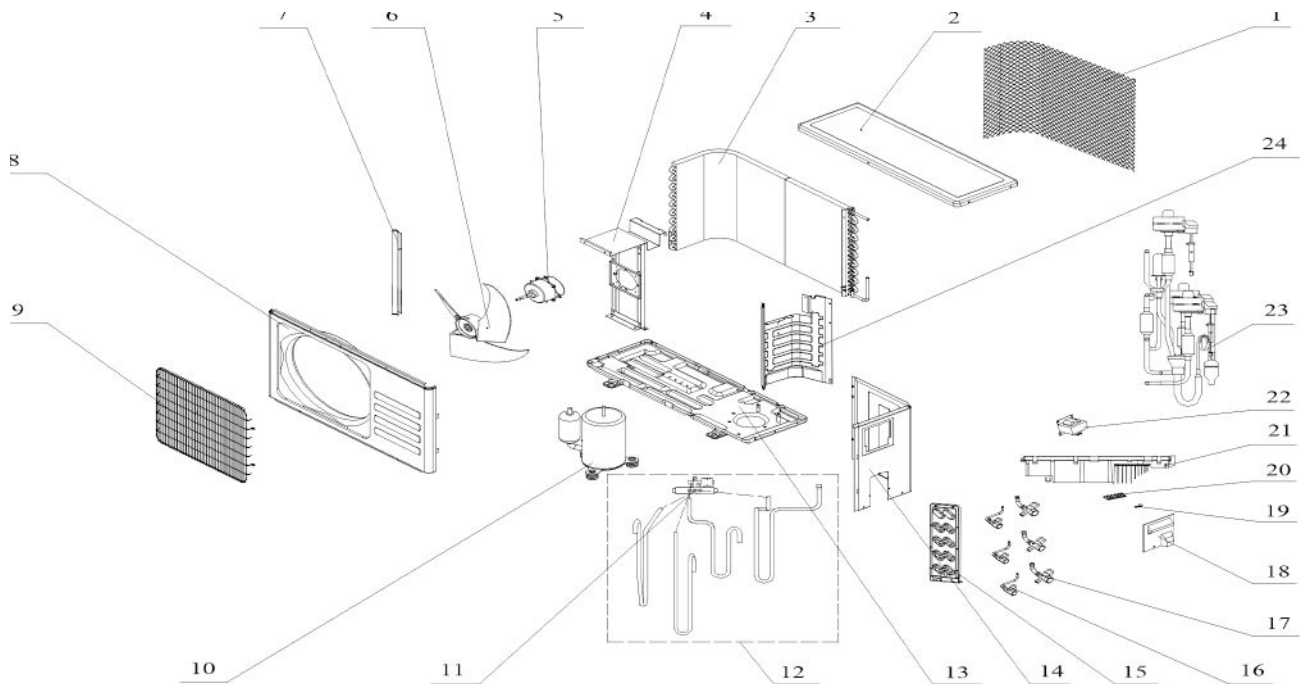


## Parts Diagrams

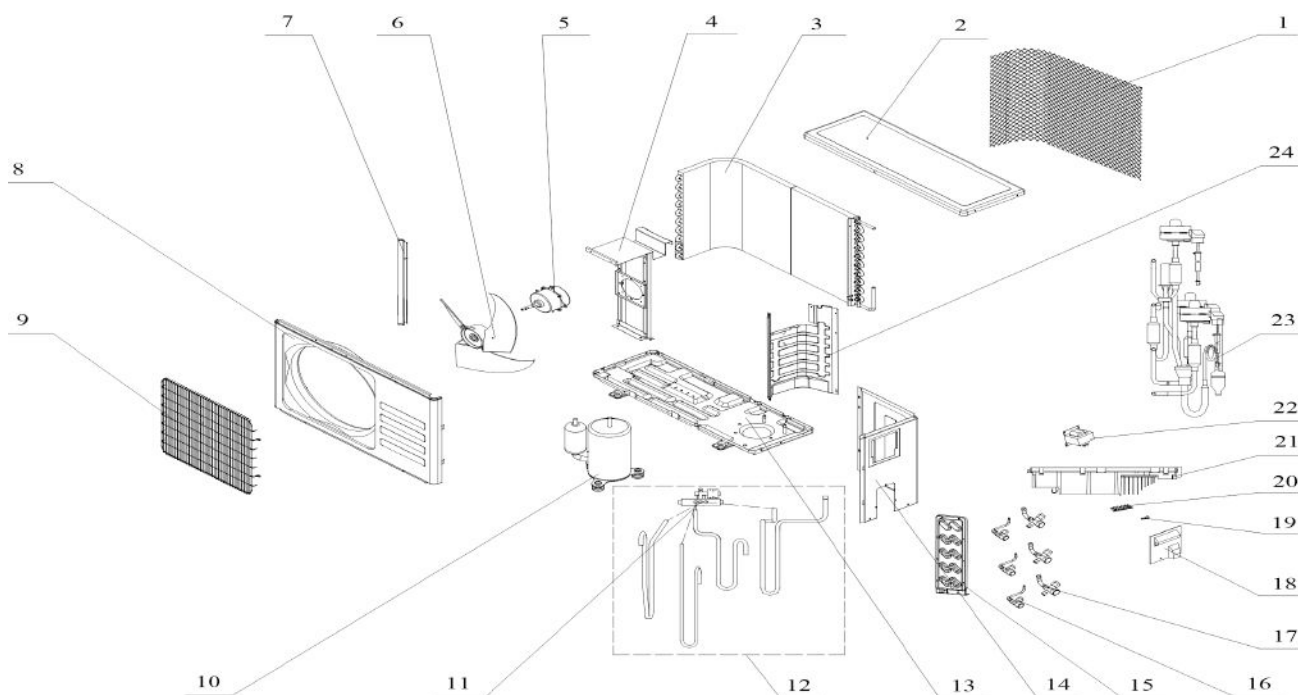
### **IMPORTANT NOTICE:**

Please read this manual carefully before installing or operating your new air conditioning system. Be sure to save this manual for future reference.

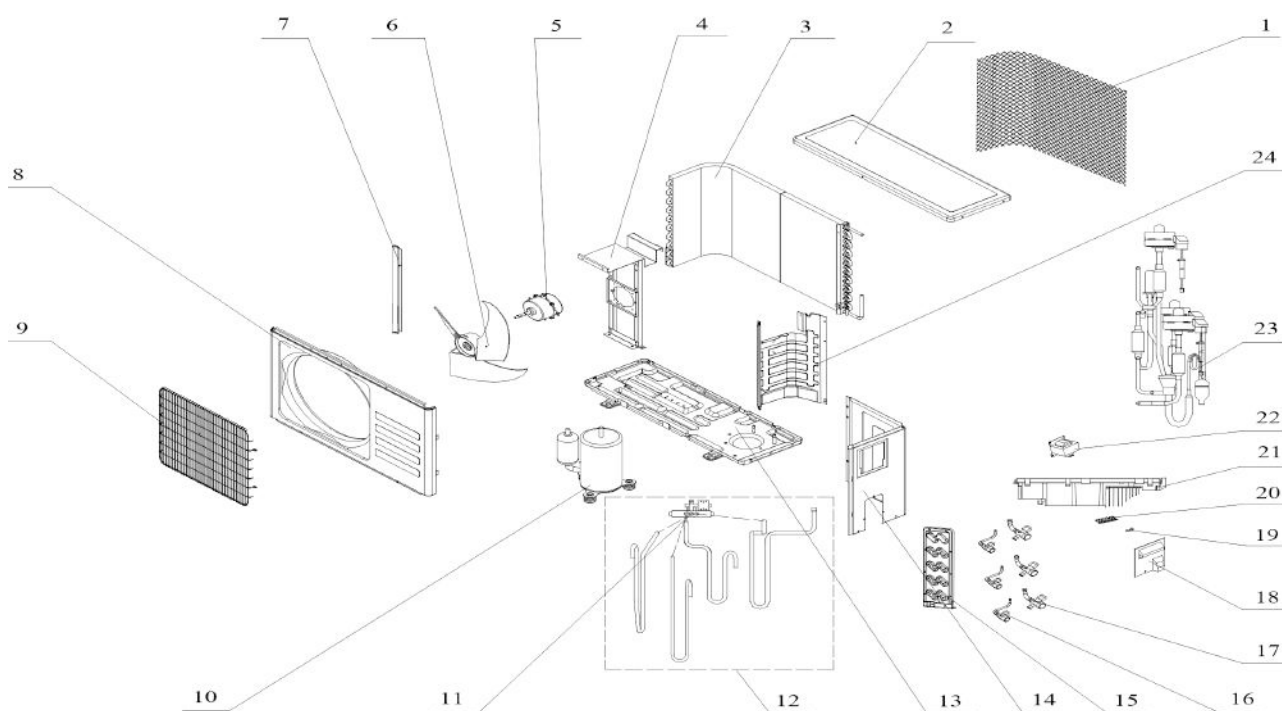




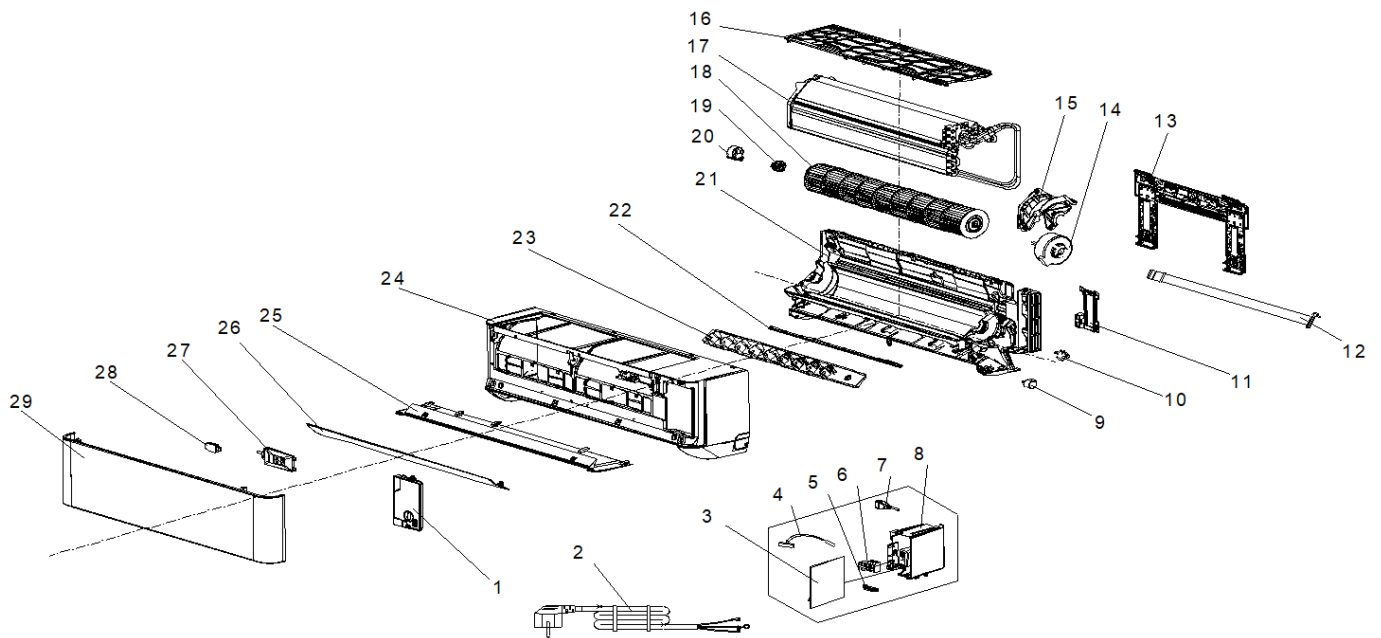
No.	Part No.	Part Name	Quantity	Remark
1	42011-000387	Left Grille	1	
	42011-000188	Back Grille	1	
2	41207-000028	Top cover	1	
3	92011-006023	Condenser	1	
4	41203-000046	Outdoor motor supporter	1	
5	22001-000120	Outdoor motor	1	
6	42004-000105	Propeller fan	1	
7	41205-000135	Left grille supporter	1	
8	41206-000058	Front plate	1	
9	42011-000039	Fan guard	1	
10	92014-000318	Compressor and accessories	1	
11	92008-000209	4-way valve	1	
12	92007-006853	4-way valve assembly	1	
13	41202-000371	Base	1	
14	41205-000207	Right plate	1	
15	92008-000051	Two-way valve	2	
16	41204-000069	Valve supporter	1	
17	92008-000146	Three-way valve	2	
18	41211-000110	Electrical box cover	1	
19	42001-000036	Cable clamp	2	
20	11304-100097	Terminal	1	
	11304-100029	Terminal	2	
21	31201-002002	Outdoor PCB assembly	1	
22	22011-000004	Inductor	1	
23	92007-006902	Electronic expand valve	1	
24	41208-000152	Partition plate	1	
25	10104-100120	Sensor assembly	1	Not shown in exploded view
26	A2007-000932	Base carton	1	
27	A1201-016145	Cabinet carton	1	
28	A1202-000030	Base foaming	1	
29	41110-000204	Cover foaming	1	



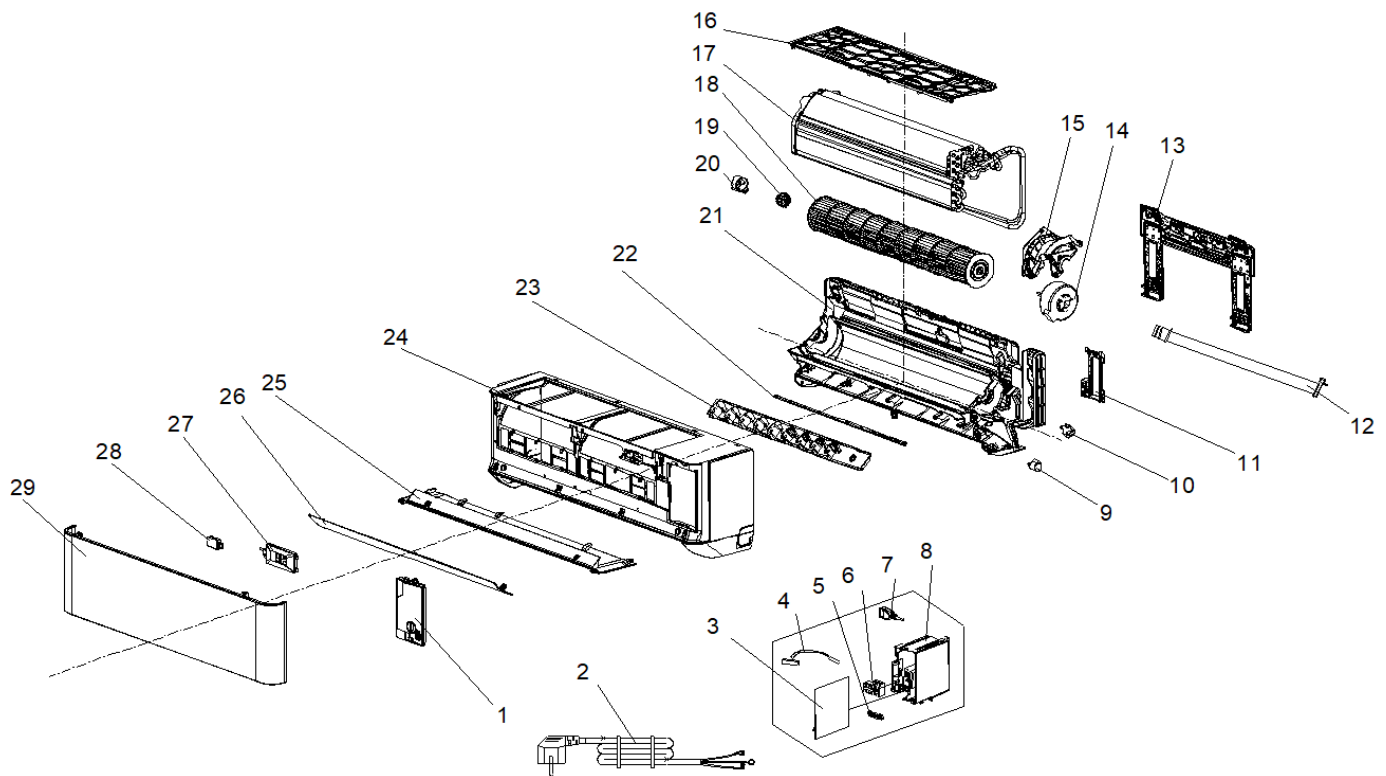
No.	Part No.	Part Name	Quantity	Remark
1	42011-000166	Grille	1	
2	41207-000016	Top cover	1	
3	92011-008667	Condenser	1	
4	41203-000030	Outdoor motor supporter	1	
5	22001-000120	Outdoor motor	1	
6	42004-000091	Propeller fan	1	
7	41205-000125	Left grille supporter	1	
8	41206-000046	Front plate	1	
9	42011-000031	Fan guard	1	
10	92014-000474	Compressor and accessories	1	
11	92008-000207	4-way valve	1	
12	92007-006939	4-way valve assembly	1	
13	41202-000401	Base	1	
14	41205-000208	Right plate	1	
15	92008-000051	Two-way valve	3	
16	41204-000071	Valve supporter	1	
17	92008-000146	Three-way valve	3	
18	41211-000110	Electrical box cover	1	
19	42001-000036	Cable clamp	3	
20	11304-100097	Terminal	1	
	11304-100029	Terminal	3	
21	31201-002004	Outdoor PCB assembly	1	
22	22011-000004	Inductor	1	
23	92007-006923	Electronic expand valve	1	
24	41208-000219	Partition plate	1	
25	10104-100121	Sensor assembly	1	Not shown in explosion view
26	A1401-000050	Base carton	1	
27	A1201-016146	Cabinet carton	1	
28	A1402-000041	Base foaming	1	
29	A1402-000040	Cover foaming	1	



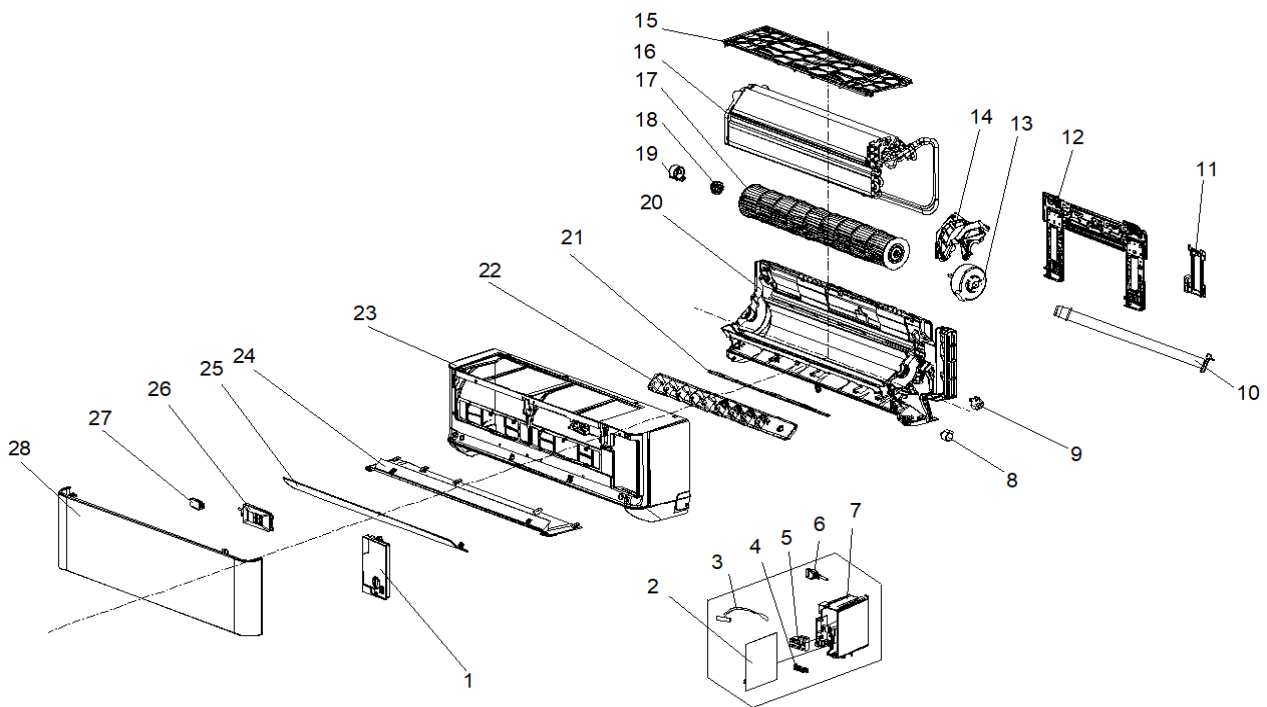
No.	Part No.	Part Name	Quantity	Remark
1	42011-000194	Grille	1	
2	41207-000042	Top cover	1	
3	92011-008672	Condenser	1	
4	41203-000027	Outdoor motor supporter	1	
5	22001-000070	Outdoor motor	1	
6	42004-000095	Propeller fan	1	
7	41205-000123	Left grille supporter	1	
8	41206-000072	Front plate	1	
9	42011-000031	Fan guard	1	
10	92014-000300	Compressor and accessories	1	
11	92008-000283	4-way valve	1	
12	92007-007098	4-way valve assembly	1	
13	41202-000403	Base	1	
14	41205-000204	Right plate	1	
15	92008-000051	Two-way valve	4	
16	41204-000009	Valve supporter	1	
17	92008-000146	Three-way valve	4	
18	41211-000110	Electrical box cover	1	
19	42001-000036	Cable clamp	4	
20	11304-100097	Terminal	1	
	11304-100029	Terminal	4	
21	31201-002006	Outdoor PCB assembly	1	
22	22011-000015	Inductor	1	
23	92007-007096	Electronic expand valve	1	
24	41208-000101	Partition plate	1	
25	10104-100046	Sensor assembly	1	Not shown in explosion view
26	A2005-000554	Base carton	1	
27	A1201-016147	Cabinet carton	1	
28	A1402-000027	Right Cover foaming	1	
29	A1402-000028	Left Cover foaming	1	

**WT009GLFI22HLD INDOOR UNIT**


No.	Part No.	Part Name	Quantity	Remark
1	41211-000079	Electrical Box Cover	1	
3	31101-001768	Main PCB	1	
4	10104-100014	Indoor Sensor Assembly	1	
5	42001-000103	Cable Clamp	1	
6	11304-100063	Terminal	1	
8	41105-000427	Electrical Box	1	
9	22001-000313	Vane Motor	1	
10	29901-000078	Step Motor	1	
11	41101-000354	In And Out Pipe Cover	1	
12	42009-000011	Drainage Hose	1	
13	41109-000082	Installation Plate	1	
14	22001-000409	Indoor Motor	1	
15	41108-000153	Indoor Motor Cover	1	
16	41108-000152	Air Filter	1	
17	92011-008759	Evaporator	1	
18	42004-000190	Cross Fan	1	
19	42007-000009	Bearing Mount	1	
20	41101-000251	Bearing Mount Holder	1	
21	41199-004851	Base	1	
22	41101-000396	Step Motor Connect Rod	1	
23	41101-000347	Vertical Vane	1	
24	41106-004133	Face Frame	1	
25	41106-004046	Front Cover Panel	1	
26	41103-000499	Vane	1	
27	31102-000282	Display PCB	1	
29	41106-004043	Panel	1	
30	22013-003893	Remote Controller	1	Not shown in Explosion view
31	42001-000014	Remote Controller supporter	1	
33	A1102-000005	Left Foaming	1	
34	A1102-000006	Right Foaming	1	

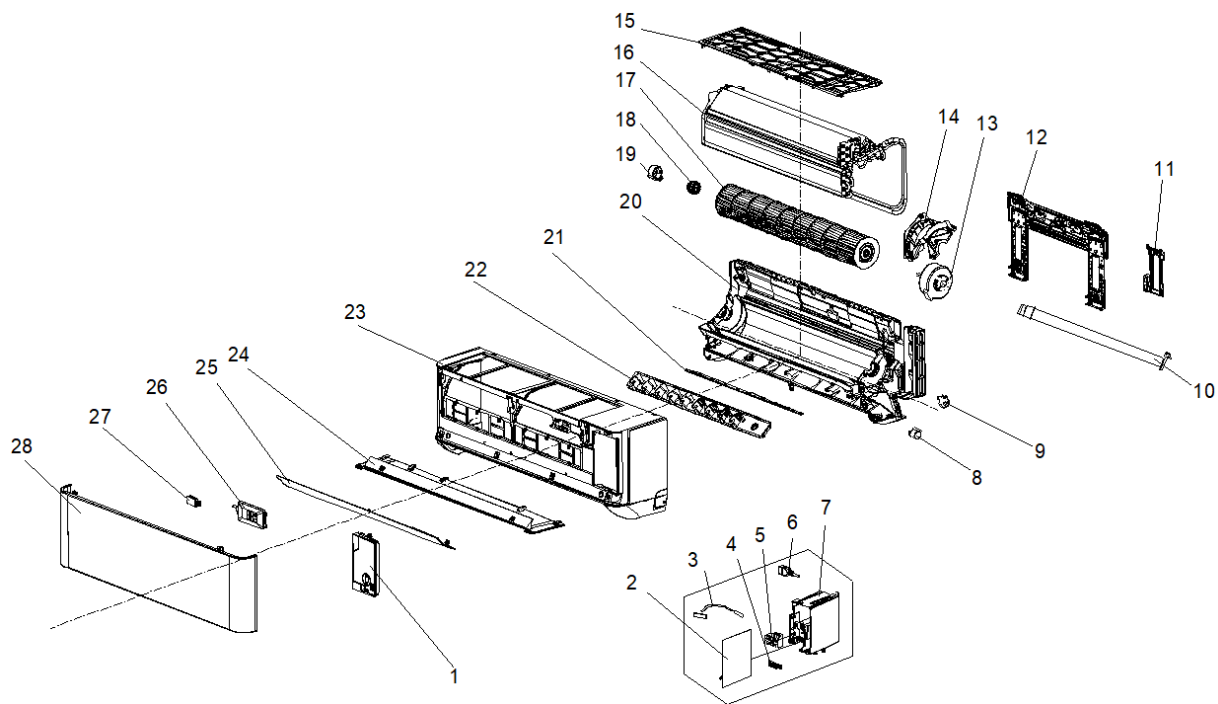
**WT012GLFI22HLD INDOOR UNIT**


No.	Part No.	Part Name	Quantity	Remark
1	41211-000079	Electrical Box Cover	1	
3	31101-001797	Main PCB	1	
4	10104-100014	Indoor Sensor Assembly	1	
5	42001-000103	Cable Clamp	1	
6	11304-100063	Terminal	1	
8	41105-000427	Electrical Box	1	
9	22001-000313	Vane Motor	1	
10	22001-000485	Step Motor	1	
11	41101-000354	In And Out Pipe Cover	1	
12	42009-000011	Drainage Hose	1	
13	41109-000082	Installation Plate	1	
14	22001-000409	Indoor Motor	1	
15	41108-000153	Indoor Motor Cover	1	
16	41108-000154	Air Filter	2	
17	92011-008764	Evaporator	1	
18	42004-000175	Cross Fan	1	
19	42007-000009	Bearing Mount	1	
20	41101-000251	Bearing Mount Holder	1	
21	41199-004856	Base	1	
22	41101-000400	Step Motor Connect Rod	1	
23	41101-000347	Vertical Vane Assembly	2	
24	41106-004167	Face Frame	1	
25	41106-004049	Front Cover Panel	1	
26	41103-000507	Vane	1	
27	31102-000282	Display PCB	1	
29	41106-004047	Panel	1	
30	22013-003893	Remote Controller	1	
34	A1102-000005	Left Foaming	1	Not shown in Explosion view
35	A1102-000009	Right Foaming	1	

**WT018GLFI22HLD INDOOR UNIT**


No.	Part No.	Part Name	Quantity	Remark
1	41211-000079	Electrical Box Cover	1	
2	31101-001775	Main PCB	1	
3	10104-100014	Indoor Sensor Assembly	1	
4	42001-000103	Cable Clamp	1	
5	11304-100063	Terminal	1	
7	41105-000427	Electrical Box	1	
8	22001-000360	Vane Motor	1	
9	29901-000078	Step Motor	1	
10	41101-000240	In And Out Pipe Cover	1	
11	42009-000011	Drainage Hose	1	
12	41109-000037	Installation Plate	1	
13	22001-000240	Indoor Motor	1	
14	41108-000009	Indoor Motor Cover	1	
15	42008-000175	Air Filter	2	
16	92011-008753	Evaporator	1	
17	42004-000213	Cross Fan	1	
18	42007-000009	Bearing Mount	1	
19	41101-000251	Bearing Mount Holder	1	
20	41102-000557	Base	1	
21	41101-000373	Step Motor Connect Rod	1	
23	41106-003991	Face Frame Assembly	1	
24	41101-000388	Front shroud	1	
25	41103-000496	Vane	1	
26	32099-006472	Display PCB	1	
28	41106-003990	Panel	1	
29	22013-003893	Remote Controller	1	
32	A1102-000003	Left Foaming	1	Not shown in Explosion view
33	A1102-000004	Right Foaming	1	



**WT024GLFI22HLD INDOOR UNIT**


No.	Part No.	Part Name	Quantity	Remark
1	41211-000079	Electrical Box Cover	1	
2	31101-001759	Main PCB	1	
3	10104-100014	Indoor Sensor Assembly	1	
4	42001-000103	Cable Clamp	1	
5	11304-100063	Terminal	1	
7	41105-000427	Electrical Box	1	
8	22001-000360	Vane Motor	1	
9	29901-000078	Step Motor	1	
10	41101-000240	In And Out Pipe Cover	1	
11	42009-000011	Drainage Hose	1	
12	41109-000037	Installation Plate	1	
13	22001-000240	Indoor Motor	1	
14	41108-000009	Indoor Motor Cover	1	
15	42008-000175	Air Filter	2	
16	92011-008756	Evaporator	1	
17	42004-000213	Cross Fan	1	
18	42007-000009	Bearing Mount	1	
19	41101-000251	Bearing Mount Holder	1	
20	41102-000557	Base	1	
21	41101-000373	Step Motor Connect Rod	1	
23	41106-003991	Face Frame Assembly	1	
24	41101-000388	Front shroud	1	
25	41103-000496	Vane	1	
26	32099-006472	Display PCB	1	
28	41106-003990	Panel	1	
29	22013-003893	Remote Controller	1	Not shown in Explosion view
32	A1102-000003	Left Foaming	1	
33	A1102-000004	Right Foaming	1	



The design and specifications of this product are subject to change without prior notice as development continues. Consult with the sales agency or manufacturer for details. Refer to the equipment nameplate for all other applicable specifications.



is a registered trademark of Parker Davis HVAC International, Inc.

**Parker Davis HVAC International, Inc.**

3250 NW 107 Avenue, Doral, FL 33172 - USA

Tel : (305) 513-4488

Fax : (305) 513-4499

E-mail : [support@pdhvac.com](mailto:support@pdhvac.com)

Website: <https://www.pdhvac.com>

Pioneer product line, parts, and supplies are available online for convenient ordering at:

<https://www.highseer.com>

<https://www.pioneerminisplit.com>

Scan the below code to visit our support page where you can find more installation materials:

