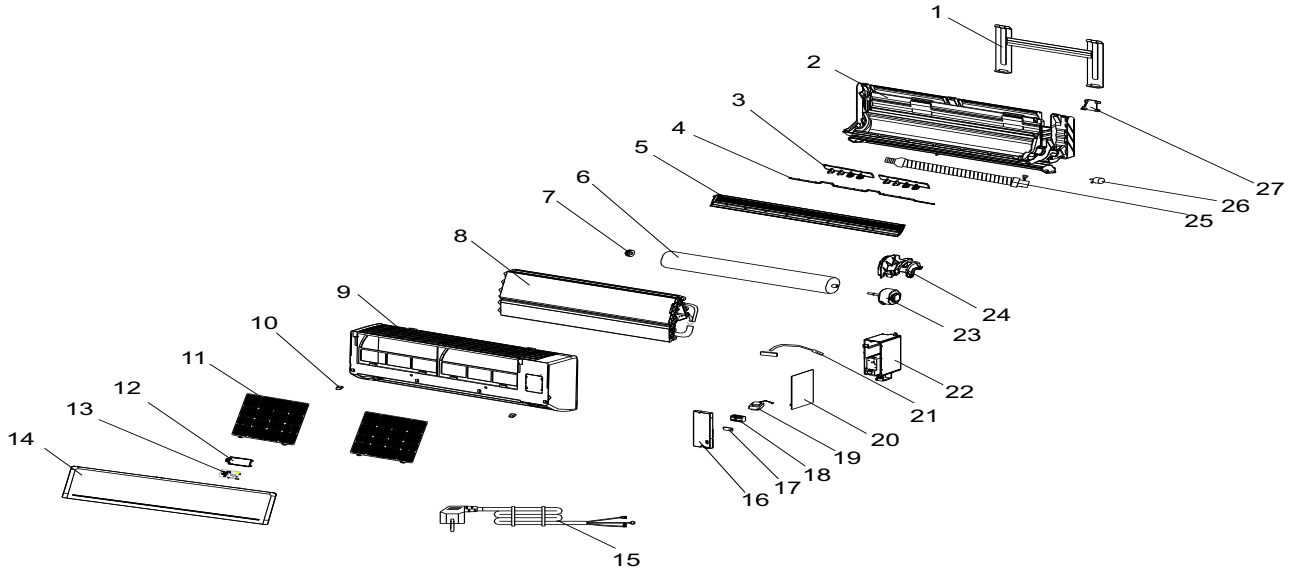
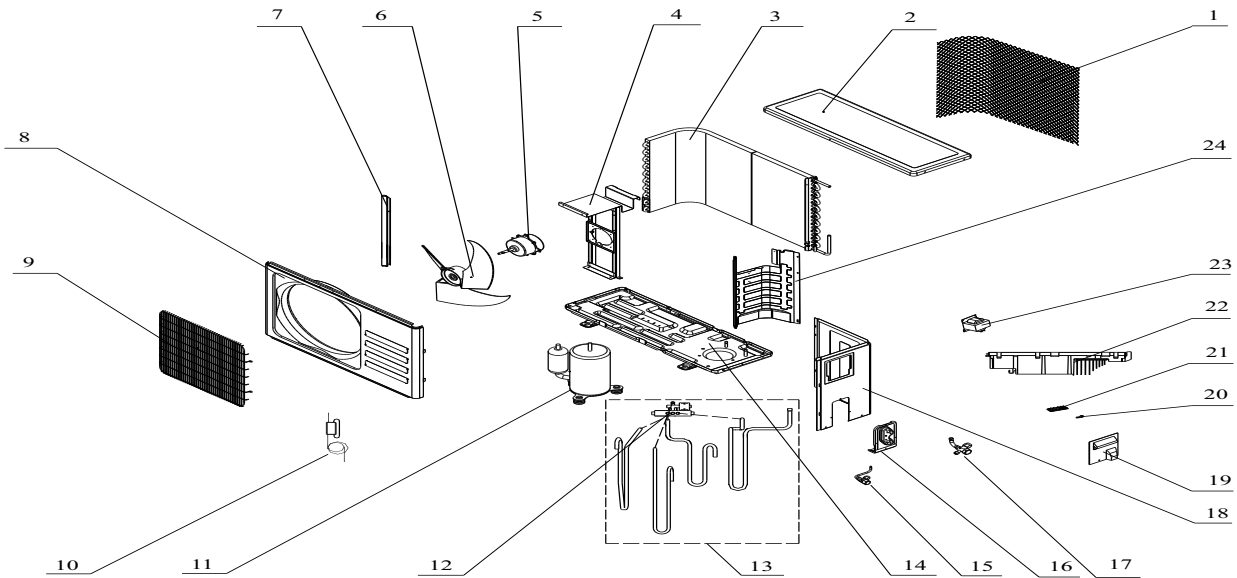


Indoor Unit - WYT009ALFI19RL



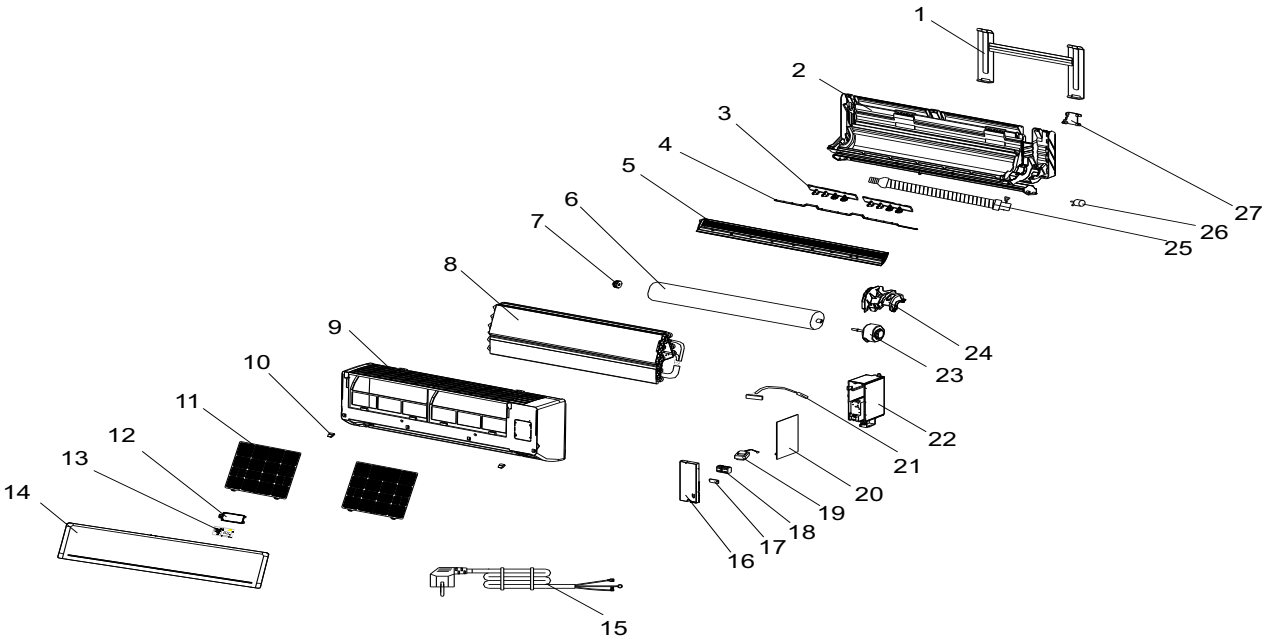
No.	Part No.	Part Name	Q'ty		Remark
1	210838037	Installation Plate	1		
2	210755166B	Base	1		
3	210701883	Vertical Vane Assembly	2		
4	210738167	Vertical Vane Connector	1		
5	210737671	Vane	1		
6	210737666	Cross Fan	1		
7	1070100010	Bearing Mount	1		
8	211245758	Evaporator	1		
9	210755165	Face Frame	1		
10	210701846	Screw Cover	1		
11	210703004	Air Filter	2		
12	210705767	Display PCB Box	1		
13	210901127R	Display PCB	1		
14	210737962C	Front Panel	1		
15	/	Power Supply Cord	1		
16	210738761	Electrical Box Cover	1		
17	210736832	Cable Clamp	1		
18	210900478L	Terminal	1		
19	/	Transformer	1		
20	210901816S	Main PCB	1		
21	210900333	Indoor Sensor Assembly	1		
22	210737097	Electrical Box	1		
23	1170030067Q	Indoor Motor	1		
24	210737665	Indoor Motor Cover	1		
25	210737091	Drainage Hose	1		
26	1170020011	Vane Motor 1	1		
	210900129	Vane Motor 2	1		
27	210736813	In And Out Pipe Fixer	1		
28	210902224	Remote Controller	1		Not shown in Explosion view
29	210902148	WIFI module	1		
30	1190540002	Indoor Carton	1		
31	211363352	Left Foaming	1		
32	211363353	Right Foaming	1		

Outdoor Unit - WYT009ALF119RL



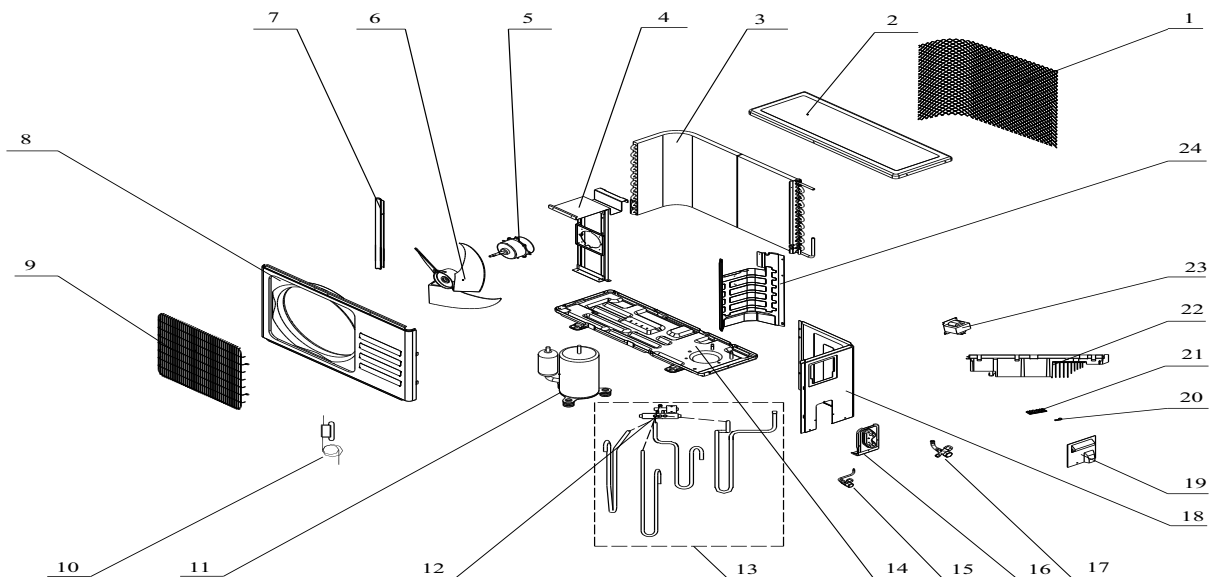
No.	Part No.	Part Name	Q'ty		Remark
1	/	Grille	1		Optional
2	210836833	Top Cover	1		
3	211239456A	Condenser	1		
4	210836836	Outdoor Motor Supporter	1		
5	1170040162AB	Outdoor Motor	1		
6	210754952	Propeller Fan	1		
7	210836831	Left grille supporter	1		
8	210836834D	Front Plate	1		
9	210838166	Fan Guard	1		
10	211245434	Capillary Assembly	1		
11	211203309	Compressor	1		
12	211203820B	4-way Valve	1		
13	211245369	4-way Valve Assembly	1		
14	210836845M	Base	1		
15	211242714A	Two-way Valve	1		
16	210836832	Valve Supporter	1		
17	211242715A	Three-way Valve	1		
18	210836829F	Right Plate	1		
19	210838244	Electrical Box Cover	1		
20	1070040008	Cable clamp	1		
21	210901213B	Terminal	1		
22	210901751C	Outdoor PCB Assembly	1		
23	210901734	Inductor	1		
24	210836835D	Partition plate	1		
25	1170230007E	Pipe Temp. sensor and outdoor	1		Not shown in explosion view
26	1170230006D	Discharge Temp. sensor	1		
27	1170100007D	Compressor Capacitor	1		
28	210900397D	Heater	1		
29	211367328	Base carton	1		
30	211367327	Cabinet Carton	1		
31	211367325	Base Foaming	1		
32	211367326	Cover Forming	1		

Indoor Unit - WYT009GLFI19RL



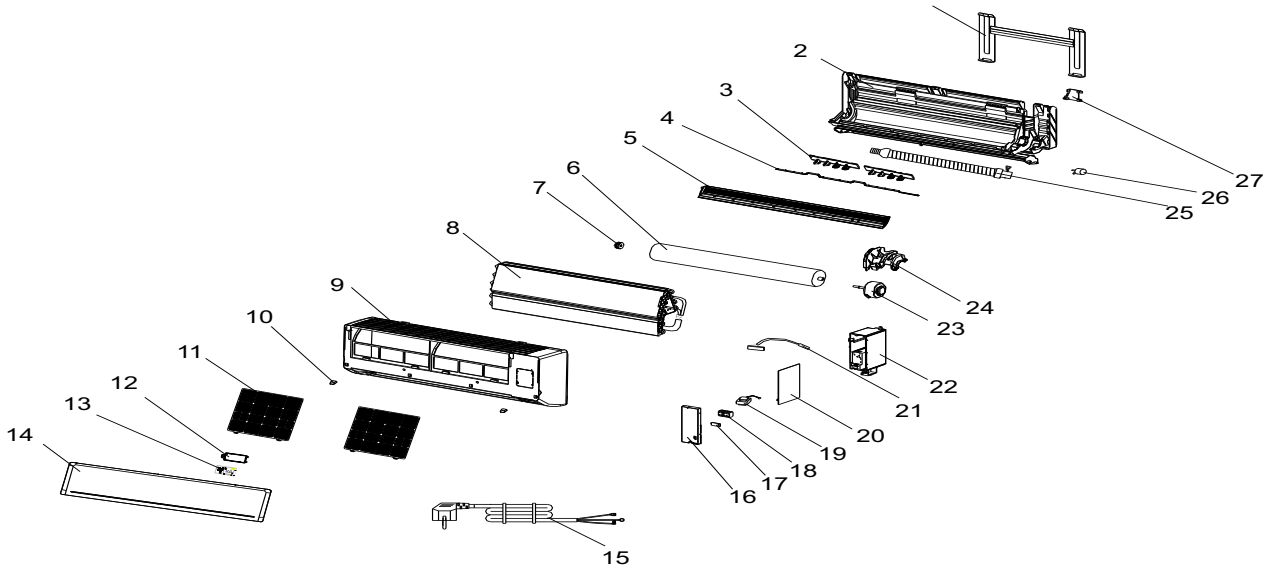
No.	Part No.	Part Name	Q'ty		Remark
1	210838037	Installation Plate	1		
2	210755166J	Base	1		
3	210701880C	Vertical Vane Assembly	2		
4	/	Vertical Vane Connector	1		
5	210737671	Vane	1		
6	210737666	Cross Fan	1		
7	1070100010	Bearing Mount	1		
8	211245758	Evaporator	1		
9	210755165	Face Frame	1		
10	210701846	Screw Cover	1		
11	210703004	Air Filter	2		
12	210705767	Display PCB Box	1		
13	210901127R	Display PCB	1		
14	210737962C	Front Panel	1		
15	210901355	Power Supply Cord	1		
16	210738761	Electrical Box Cover	1		
17	210736832	Cable Clamp	1		
18	210900478L	Terminal	1		
19	/	Transformer	1		
20	210901816U	Main PCB	1		
21	210900333	Indoor Sensor Assembly	1		
22	210737097	Electrical Box	1		
23	210900056C	Indoor Motor	1		
24	210737665	Indoor Motor Cover	1		
25	210737091E	Drainage Hose	1		
26	1170020011	Vane Motor	1		
27	210736813	In And Out Pipe Fixer	1		
28	210902224	Remote Controller	1		Not shown in Explosion view
29	210902148	WIFI module	1		
30	1190540002	Indoor Carton	1		
31	211363352	Left Foaming	1		
32	211363353	Right Foaming	1		

Outdoor Unit - WYT009GLFI19RL



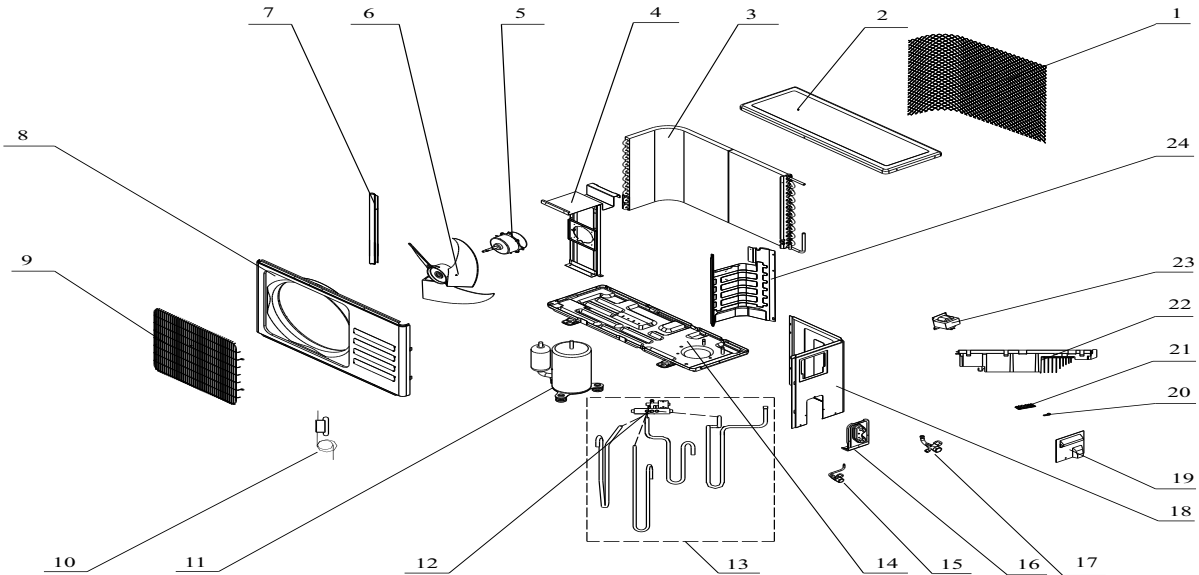
No.	Part No.	Part Name	Q'ty	Remark
1	/	Grille	1	Optional
2	210838049	Top Cover	1	
3	211243791	Condenser	1	
4	210838044	Outdoor Motor Supporter	1	
5	1170040162AB	Outdoor Motor	1	
6	210755064	Propeller Fan	1	
7	210838047	Left grille supporter	1	
8	210838048A	Front Plate	1	
9	210838151	Fan Guard	1	
10	211245149	Capillary Assembly	1	
11	211203309	Compressor	1	
12	1120110016J	4-way Valve	1	
13	211245119	4-way Valve Assembly	1	
14	210838068A	Base	1	
15	211242714A	Two-way Valve	1	
16	210836832A	Valve Supporter	1	
17	211242715A	Three-way Valve	1	
18	210838045B	Right Plate	1	
19	210838244	Electrical Box Cover	1	
20	1070040008	Cable clamp	1	
21	210901213C	Terminal	1	
22	210902093D	Outdoor PCB Assembly	1	
23	1171990046	Inductor	1	
24	210838117A	Partition plate	1	
25	1170230027E	Pipe Temp. sensor and outdoor Temp. sensor	1	Not shown in explosion view
26	1170230006D	Discharge Temp. sensor	1	
27	210900397F	Heater	1	
28	211381121	Base carton	1	
29	211381017	Cabinet Carton	1	
30	211380969	Base Foaming	1	
31	211380968	Cover Forming	1	

Indoor Unit - WYT012ALFI19RL



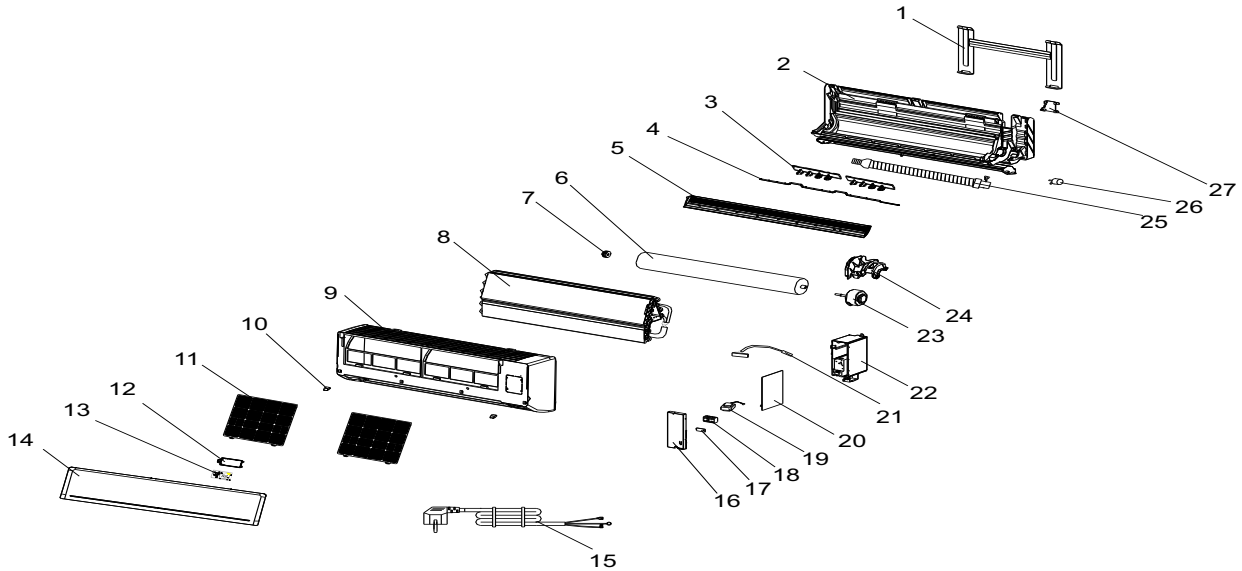
No.	Part No.	Part Name	Q'ty		Remark
1	210838037	Installation Plate	1		
2	210755166J	Base	1		
3	210701880C	Vertical Vane Assembly	2		
4	/	Vertical Vane Connector	1		
5	210737671	Vane	1		
6	210737666	Cross Fan	1		
7	1070100010	Bearing Mount	1		
8	211245758	Evaporator	1		
9	210755165	Face Frame	1		
10	210701846	Screw Cover	1		
11	210703004	Air Filter	2		
12	210705767	Display PCB Box	1		
13	210901127R	Display PCB	1		
14	210737962C	Front Panel	1		
15	210901355	Power Supply Cord	1		
16	214160196	Electrical Box Cover	1		
17	210736832	Cable Clamp	1		
18	210900478L	Terminal	1		
19	/	Transformer	1		
20	210901816X	Main PCB	1		
21	210900333	Indoor Sensor Assembly	1		
22	210737097	Electrical Box	1		
23	1170030067Q	Indoor Motor	1		
24	210737665	Indoor Motor Cover	1		
25	210737091E	Drainage Hose	1		
26	1170020011	Vane Motor	1		
27	210736813	In And Out Pipe Fixer	1		
28	210902224	Remote Controller	1		Not shown in Explosion view
29	1190540002	Indoor Carton	1		
30	211363352	Left Foaming	1		
31	211363353	Right Foaming	1		

Outdoor Unit - WYT012ALFI19RL



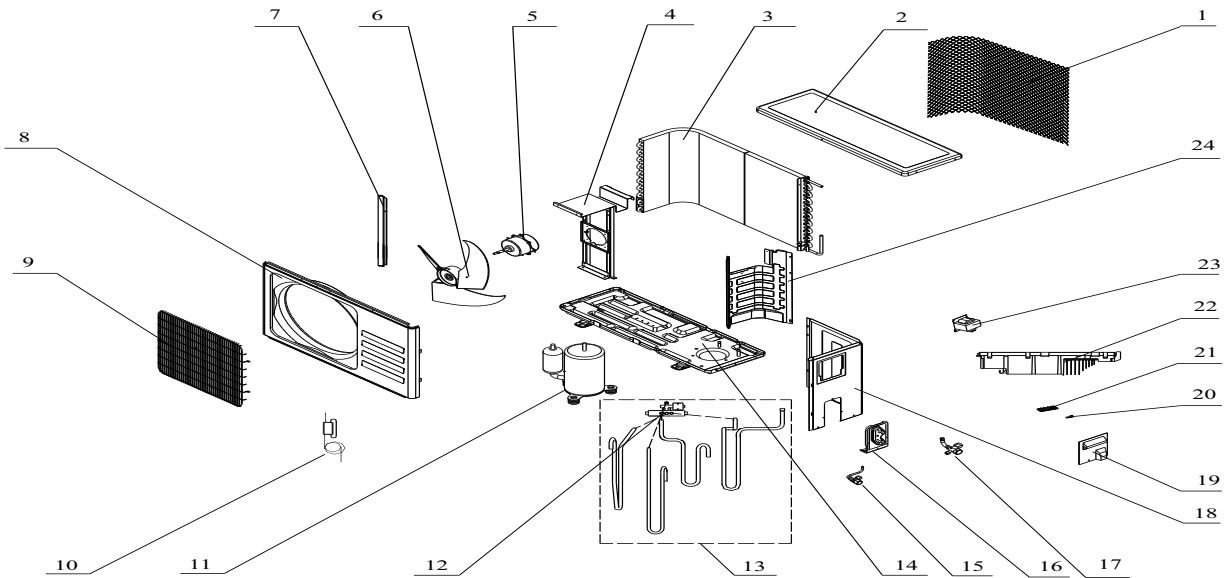
No.	Part No.	Part Name	Q'ty	Remark
1	/	Grille	1	Optional
2	210836833	Top Cover	1	
3	211244513A	Condenser	1	
4	210836836B	Outdoor Motor Supporter	1	
5	1170040162AB	Outdoor Motor	1	
6	210738509	Propeller Fan	1	
7	210836831	Left grille supporter	1	
8	210836834D	Front Plate	1	
9	210838166	Fan Guard	1	
10	211245477	Capillary Assembly	1	
11	211203309	Compressor	1	
12	211203820B	4-way Valve	1	
13	211245377	4-way Valve Assembly	1	
14	210836845M	Base	1	
15	211242714A	Two-way Valve	1	
16	210836832	Valve Supporter	1	
17	211242715A	Three-way Valve	1	
18	210836829F	Right Plate	1	
19	210838244	Electrical Box Cover	1	
20	1070040008	Cable clamp	1	
21	210901213B	Terminal	1	
22	210901751D	Outdoor PCB Assembly	1	
23	210901734	Inductor	1	
24	210836835D	Partition plate	1	
25	1170230007E	Pipe Temp. sensor and outdoor Temp. sensor	1	Not shown in explosion view
26	1170230006D	Discharge Temp. sensor	1	
27	1170100007D	Compressor Capacitor		
28	211367328	Base carton		
29	211367327	Cabinet Carton	1	
30	211367325	Base Foaming	1	
31	211367326	Cover Forming	1	

Indoor Unit - WYT012GLFI19RL



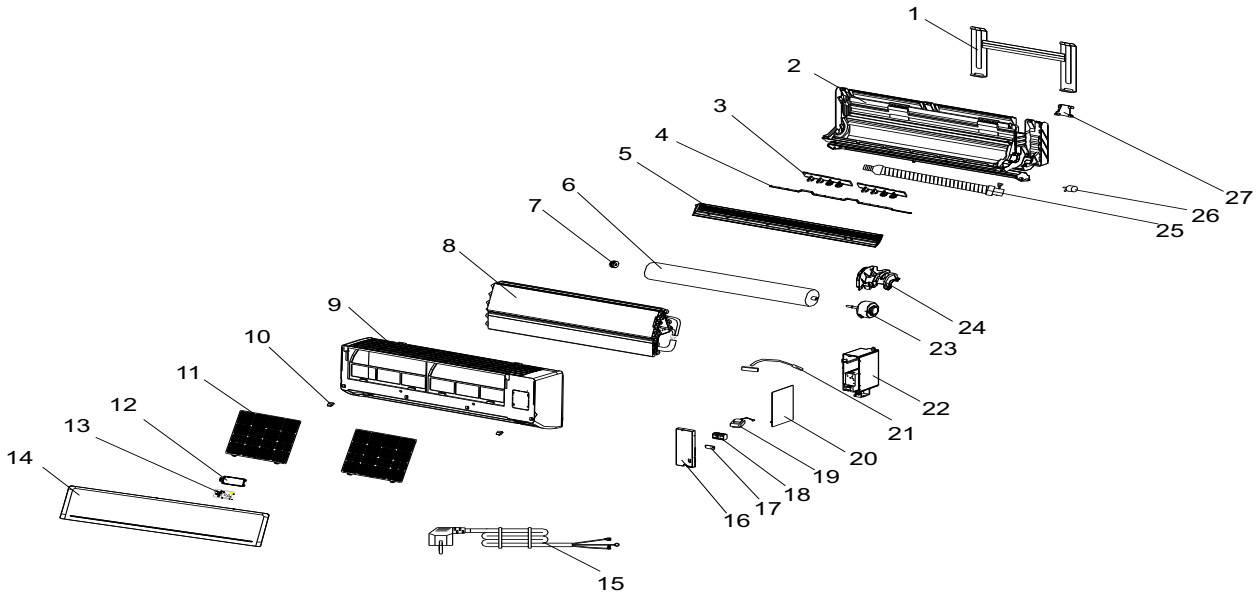
No.	Part No.	Part Name	Q'ty		Remark
1	210838037	Installation Plate	1		
2	210755166J	Base	1		
3	210701880C	Vertical Vane Assembly	2		
4	/	Vertical Vane Connector	1		
5	210737671	Vane	1		
6	210737666	Cross Fan	1		
7	1070100010	Bearing Mount	1		
8	211245758	Evaporator	1		
9	210755165	Face Frame	1		
10	210701846	Screw Cover	1		
11	210703004	Air Filter	2		
12	210705767	Display PCB Box	1		
13	210901127R	Display PCB	1		
14	210737962C	Front Panel	1		
15	210901355	Power Supply Cord	1		
16	210738761	Electrical Box Cover	1		
17	210736832	Cable Clamp	1		
18	210900478L	Terminal	1		
19	/	Transformer	1		
20	210901816V	Main PCB	1		
21	210900333	Indoor Sensor Assembly	1		
22	210737097	Electrical Box	1		
23	210900056C	Indoor Motor	1		
24	210737665	Indoor Motor Cover	1		
25	210737091E	Drainage Hose	1		
26	1170020011	Vane Motor	1		
27	210736813	In And Out Pipe Fixer	1		
28	210902224	Remote Controller	1		Not shown in Explosion view
29	1190540002	Indoor Carton	1		
30	211363352	Left Foaming	1		
31	211363353	Right Foaming	1		

Outdoor Unit - WYT012GLFI19RL



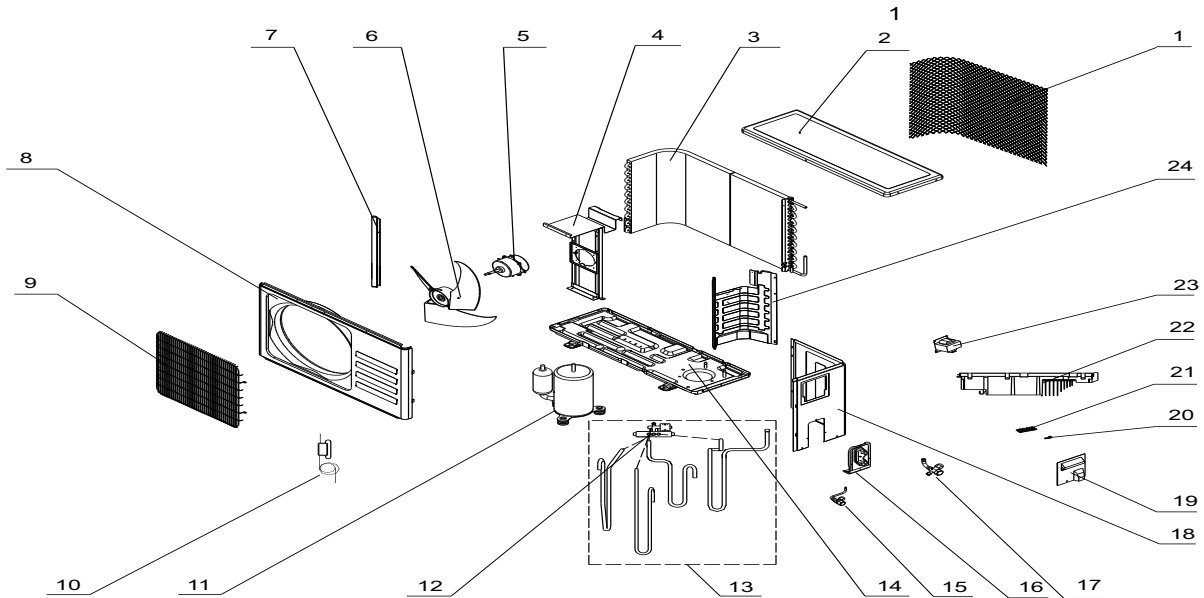
No.	Part No.	Part Name	Q'ty		Remark
1	/	Grille	1		Optional
2	210838049	Top Cover	1		
3	211244962	Condenser	1		
4	210838044B	Outdoor Motor Supporter	1		
5	1170040162AB	Outdoor Motor	1		
6	210755064	Propeller Fan	1		
7	210838047	Left grille supporter	1		
8	210838048A	Front Plate	1		
9	210838151	Fan Guard	1		
10	211244959	Capillary Assembly	1		
11	211203309	Compressor	1		
12	1120110016J	4-way Valve	1		
13	211245119	4-way Valve Assembly	1		
14	210838068A	Base	1		
15	211242714A	Two-way Valve	1		
16	210836832A	Valve Supporter	1		
17	211242715A	Three-way Valve	1		
18	210838045B	Right Plate	1		
19	210838244	Electrical Box Cover	1		
20	1070040008	Cable clamp	1		
21	210901213C	Terminal	1		
22	210902093E	Outdoor PCB Assembly	1		
23	1171990046	Inductor	1		
24	210838117A	Partition plate	1		
25	1170230027E	Pipe Temp. sensor and outdoor Temp. sensor	1		Not shown in explosion view
26	1170230006D	Discharge Temp. sensor	1		
27	211381121	Base carton			
28	211381017	Cabinet Carton	1		
29	211380969	Base Foaming	1		
30	211380968	Cover Forming	1		

Indoor Unit - WYT018GLFI19RL



No.	Part No.	Part Name	Q'ty		Remark
1	210836849	Installation Plate	1		
2	210754519D	Base	1		
3	210738389	Vertical Vane Assembly	3		
4	210738395	Vertical Vane Connector	1		
5	210738387	Vane	1		
6	210738396	Cross Fan	1		
7	1070100010	Bearing Mount	1		
8	211243036A	Evaporator	1		
9	210738539	Face Frame	1		
10	210701846	Screw Cover	2		
11	210738391A	Air Filter	2		
12	210705767	Display PCB Box	1		
13	210901127R	Display PCB	1		
14	210738608	Front Panel	1		
15	210901355	Power Supply Cord	1		
16	210738408	Electrical Box Cover	1		
17	210736832	Cable Clamp	1		
18	210900478L	Terminal	1		
19	/	Transformer	1		
20	210901742BM	Main PCB	1		
21	210900333	Indoor Sensor Assembly	1		
22	210737097	Electrical Box	1		
23	210900290B	Indoor Motor	1		
24	210738388	Indoor Motor Cover	1		
25	210737091	Drainage Hose	1		
26	1170020031AC	Vane Motor	1		
	210900129				
27	210736801	In And Out Pipe Fixer	1		
28	210902224	Remote Controller	1		Not shown in Explosion view
29	211368774	Indoor Carton	1		
30	210738521	Left Foaming	1		
31	210738522	Right Foaming	1		

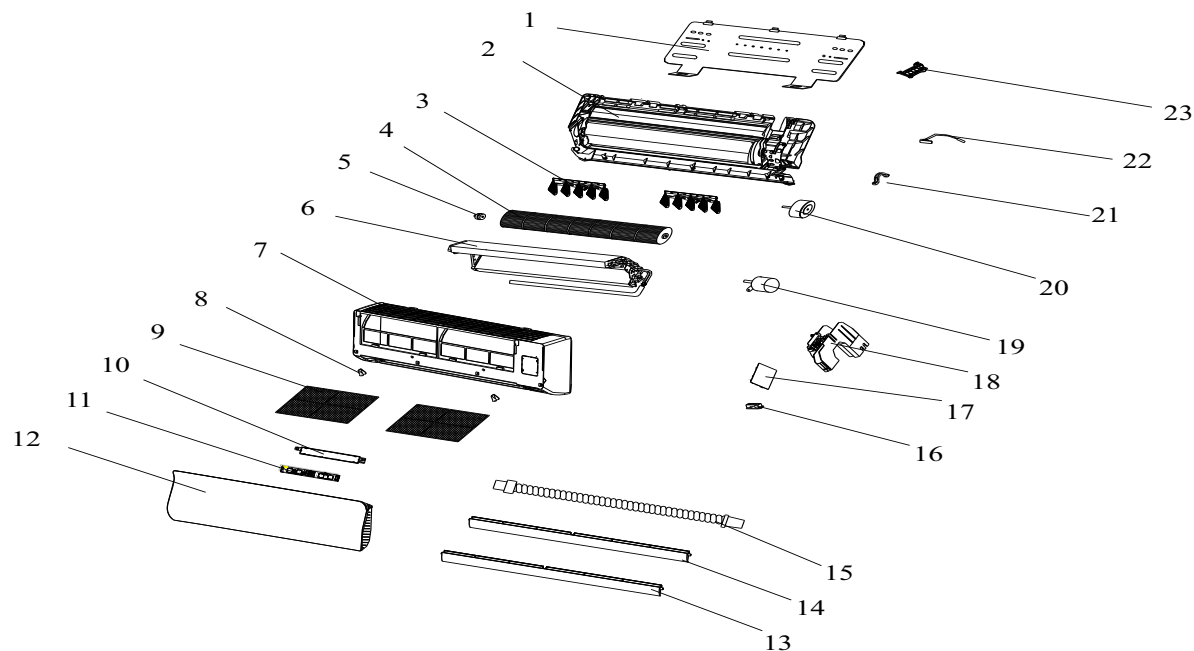
Outdoor Unit - WYT018GLFI19RL



No.	Part No.	Part Name	Q'ty		Remark
1	/	Grille	1		Optional
2	210836989	Top Cover	1		
3	211241745	Condenser	1		
4	210836994	Outdoor Motor Supporter	1		
5	210900219G	Outdoor Motor	1		
6	210739722	Propeller Fan	1		
7	210836992	Left grille supporter	1		
8	210836990G	Front Plate	1		
9	210800815C	Fan Guard	1		
10	211246216	Capillary Assembly	1		
11	211237212	Compressor	1		
12	1120500226J	4-way Valve	1		
13	211245289	4-way Valve Assembly	1		
14	210837001G	Base	1		
15	211242714A	Two-way Valve	1		
16	210836832A	Valve Supporter	1		
17	211242715A	Three-way Valve	1		
18	210836993P	Right Plate	1		
19	210838244	Electrical Box Cover	1		
20	1070040008	Cable clamp	1		
21	210901213C	Terminal	1		
22	210901841AK	Outdoor PCB Assembly	1		
23	210902017	Inductor	1		
24	210837000D	Partition plate	1		
25	1170230007G	Pipe Temp. sensor and outdoor Temp. sensor	1		Not shown in explosion view
26	1170230006D	Discharge Temp. sensor	1		
27	211371803	Base carton			
28	211371804	Cabinet Carton	1		
29	211371801	Base Foaming	1		
30	211371802	Cover Forming	1		

Air Conditioner Service Manual

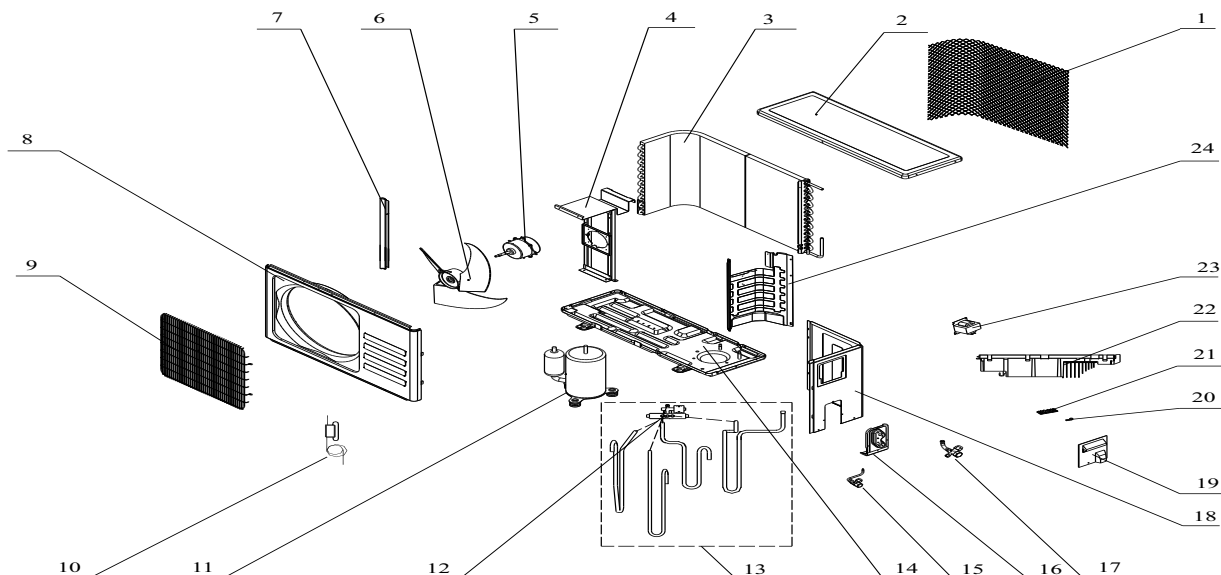
Indoor Unit - WYT024GLFI19RL



No.	Part No.	Part Name	Q'ty		Remark
1	1080030001	Installation Plate	1		
2	210703956H	Base	1		
3	210704703	Vertical Vane Assembly	3		
4	210738222	Cross Fan	1		
5	1070100010	Bearing Mount	1		
6	211245832	Evaporator	1		
7	210703967A	Face Frame	1		
8	210701846	Screw Cover	3		
9	210703525	Air Filter	2		
10	210705767	Display PCB Box	1		
11	210901127R	Display PCB	1		
12	210755254	Front Panel	1		
13	210703520	Up Vane	1		
14	210703521	Down Vane	1		
15	1070110012	Drainage Hose	1		
16	210736832	Cable Clamp	1		
17	210901742BR	Main PCB	1		
18	210755437	Electrical Box	1		
19	210902149	Vane Motor	1		
	210900522H	Vertical Motor	1		
20	210900290B	Indoor Motor	1		
21	210703522A	Indoor Motor Cover	1		
22	210900333A	Indoor Sensor Assembly	1		
23	210703523B	In And Out Pipe Fixer	1		
24	210902224	Remote Controller	1		Not shown in Explosion view
25	210902148	WIFI module	1		
26	211318583	Indoor Carton	1		
27	211318584	Left Foaming	1		
28	211318585	Right Foaming	1		
29	211381766	Middle Pasteboard Supporter	1		

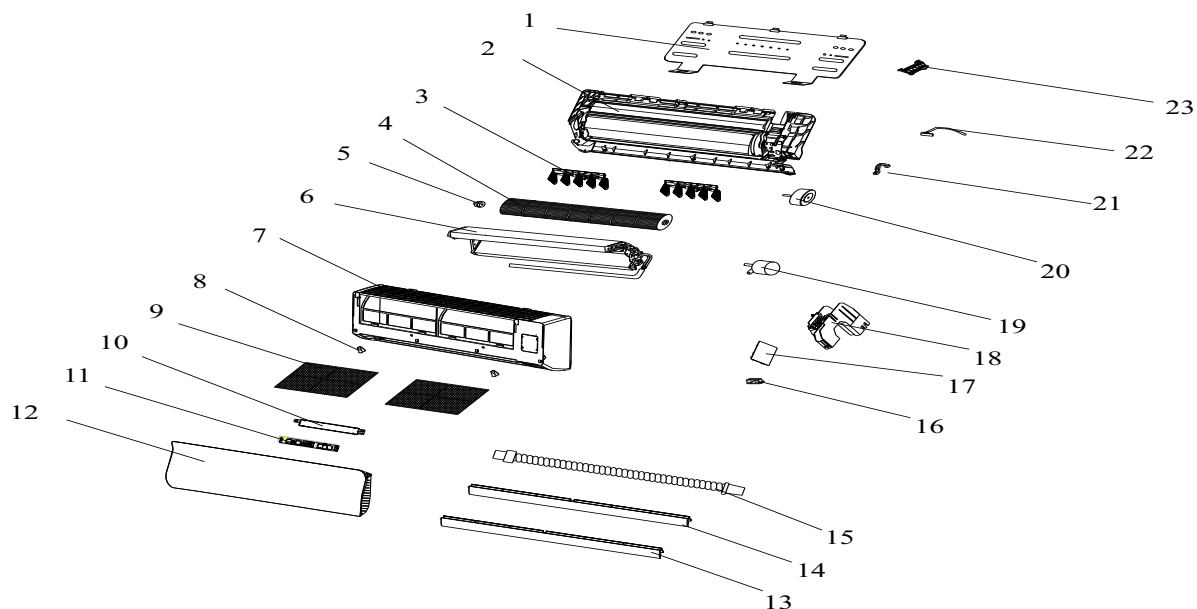
Air Conditioner Service Manual

Outdoor Unit - WYT024GLFI19RL



No.	Part No.	Part Name	Q'ty		Remark
1	/	Grille	1		Optional
2	210836806	Top Cover	1		
3	211245424	Condenser	1		
4	210836812	Outdoor Motor Supporter	1		
5	210900027AG	Outdoor Motor	1		
6	210738500	Propeller Fan	1		
7	210836810	Left grille supporter	1		
8	210836807C	Front Plate	1		
9	210838155	Fan Guard	1		
10	211245495	Capillary Assembly	1		
11	211245099	Compressor	1		
12	1120500226J	4-way Valve	1		
13	211245941	4-way Valve Assembly	1		
14	210837838C	Base	1		
15	211242714A	Two-way Valve	1		
16	210836832	Valve Supporter	1		
17	211242716A	Three-way Valve	1		
18	210836808F	Right Plate	1		
19	210838244	Electrical Box Cover	1		
20	1070040008	Cable clamp	1		
21	210901213C	Terminal	1		
22	210902009V	Outdoor PCB Assembly	1		
23	1170190004	Inductor	1		
24	210837818B	Partition plate	1		
25	1170230027D	Pipe Temp. sensor and outdoor Temp. sensor	1		Not shown in explosion view
26	1170230006E	Discharge Temp. sensor	1		
27	210900397E	Heater	1		
28	211373042	Base carton	1		
29	211373043	Cabinet Carton	1		
30	211372599	Base Foaming	1		
31	211372600	Cover Forming	1		

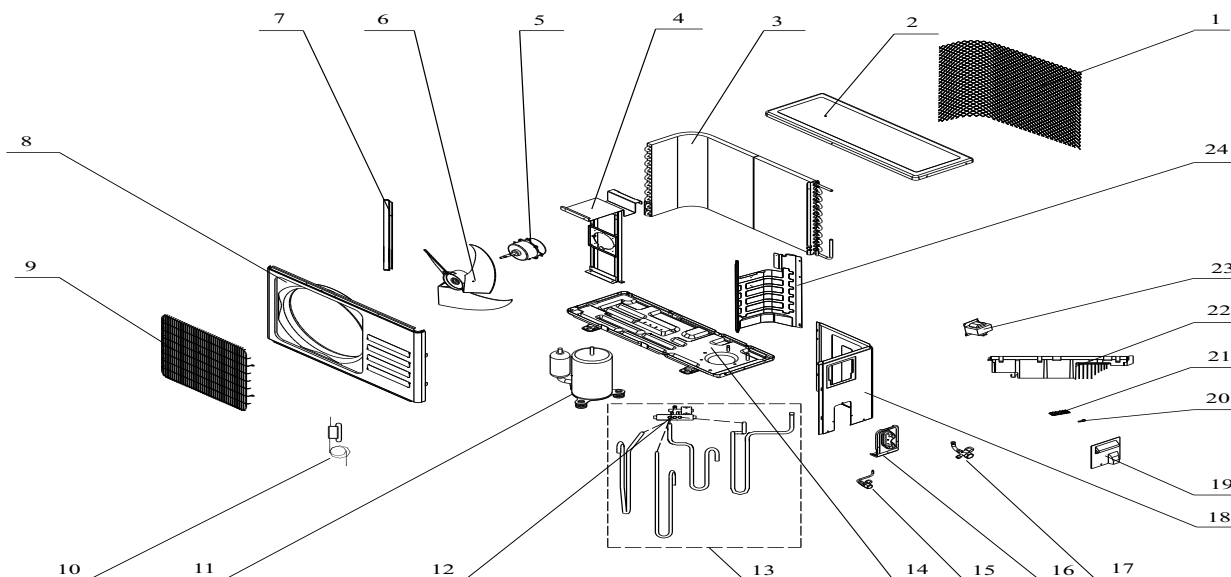
Indoor Unit - WYT036GLFI19RL



No.	Part No.	Part Name	Q'ty		Remark
1	1080030001	Installation Plate	1		
2	210703956H	Base	1		
3	210704703	Vertical Vane Assembly	3		
4	210738222	Cross Fan	1		
5	1070100010	Bearing Mount	1		
6	211245850	Evaporator	1		
7	210703967A	Face Frame	1		
8	210701846	Screw Cover	4		
9	210703525	Air Filter	2		
10	210705767	Display PCB Box	1		
11	210901127R	Display PCB	1		
12	210755254	Front Panel	1		
13	210703520	Up Vane	1		
14	210703521	Down Vane	1		
15	1070110012	Drainage Hose	1		
16	210736832	Cable Clamp	1		
17	210901742BS	Main PCB	1		
18	210755437	Electrical Box	1		
19	210902149	Vane Motor	1		
	210900522H	Vertical Motor	1		
20	210900290B	Indoor Motor	1		
21	210703522A	Indoor Motor Cover	1		
22	210900333A	Indoor Sensor Assembly	1		
23	210703523B	In And Out Pipe Fixer	1		
24	210902224	Remote Controller	1		Not shown in Explosion view
25	210902148	WIFI module	1		
26	211318583	Indoor Carton	1		
27	211318584	Left Foaming	1		
28	211318585	Right Foaming	1		
29	211381766	Middle Pasteboard Supporter	1		

Air Conditioner Service Manual

Outdoor Unit - WYT036GLFI19RL



No.	Part No.	Part Name	Q'ty	Remark
1	/	Grille	1	Optional
2	1080050045	Top Cover	1	
3	211245363	Condenser	1	
4	210800644B	Outdoor Motor Supporter	1	
5	210900027AG	Outdoor Motor	1	
6	210702407	Propeller Fan	1	
7	1080050042	Left grille supporter	1	
8	210800337A	Front Plate	1	
9	210826349	Fan Guard	1	
10	211245446	Capillary Assembly	1	
11	211234489	Compressor	1	
12	1120110017C	4-way Valve	1	
13	211245873	4-way Valve Assembly	1	
14	210800554J	Base	1	
15	211240245A	Two-way Valve	1	
16	1080050044	Valve Supporter	1	
17	1120130047	Three-way Valve	1	
18	1080050043A	Right Plate	1	
19	1081990107A	Electrical Box Cover	1	
20	1070040008	Cable clamp	1	
21	210901213C	Terminal	1	
22	210902009U	Outdoor PCB Assembly	1	
23	1170190004	Inductor	1	
24	210800345B	Partition plate	1	
25	1170230027D	Pipe Temp. sensor and outdoor Temp. sensor	1	Not shown in explosion view
26	1170230006E	Discharge Temp. sensor	1	
27	210900397E	Heater	1	
28	211367225	Base carton	1	
29	211367224	Cabinet Carton	1	
30	211367223	Base Foaming	1	
31	211367222	Cover Forming	1	