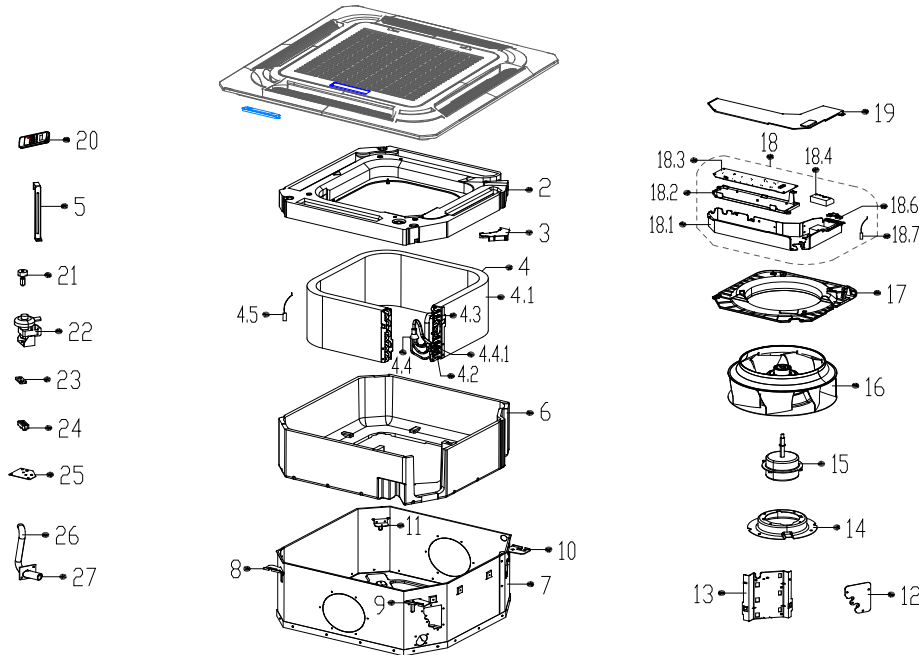


PIONEER Multi Split Heat Pump Inverter INDOOR UNITS Parts Diagram

System Model:
Nominal Capacity: 9000 BTU
Power Supply: 208~230 V, 1 Ph, 60Hz.

Indoor Unit Model: CB009GMFILCFHD
Indoor Code: 22022511000703

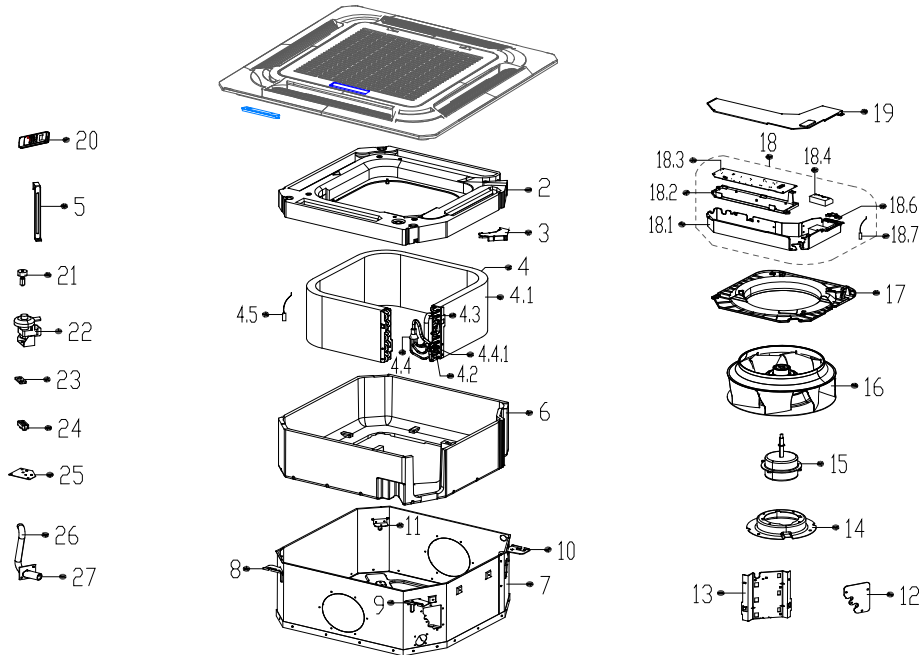


No.	Part Name	Quantity	BOM Code	BIN No.	Remark
2	Water receiver assembly	1.0	12822500000017	179	
3	Line pressing box	1.0	12122500000022	1	
4	Evaporator assembly Gas valve assembly	1.0	15822300000069	205	
4.1	Evaporator	1.0	15822500000182	139	
4.2	Copper nut	1.0	15500406000010	3	
4.3	Outlet Pipes of Evaporator	1.0	151223000000765	34	
4.4	Input pipes of Evaporator assemblyJoint board of Evaporator	1.0	151225000000330	16	
4.4.1	Copper nut	1.0	15500406000016	2	
4.5	Temperature Sensor	1.0	112010070000070	4	
5	Evaporator Fixing hanger	1.0	122225000000093	1	
6	Chassis Foam Subassembly	1.0	128225000000005	32	
7	Chassis Assembly	1.0	122225000000224	146	
8	Hook II	1.0	122225000000191	2	
9	Hook I	1.0	122225000000192	2	
10	Hook IV	1.0	122225000000190	2	
11	Hook III	1.0	122225000000193	2	
12	Sealed board ass'y	1.0	121225000000330	1	
13	Joint board of Evaporator	1.0	122225000000197	4	
14	Motor Installing Foundation	1.0	122225000000199	14	
15	Brushless DC Motor	1.0	110020150000069	411	
16	Centrifugal Fan	1.0	121001030000089	134	
17	Air Guide Coil	1.0	121225000000425	14	
18	E-Parts Box assembly	1.0	172225000000073	317	
18.1	Welding Parts of Electrical Control Box	1.0	122225000000165	18	
18.2	Wiring baseplate	1.0	121225000000029	5	
18.3	Indoor Main Control Board Subassembly (Sticker)Indoor Main	1.0	171225000000314	249	
18.4	Wire holder	1.0	174004010000075	23	
18.6	Wire clamp	1.0	122002030000041	1	
18.7	Room Temperature Sensor	1.0	112010070000283	3	
19	Electrical Control Box Cover Subassembly	1.0	122225000000209	9	
20	Remote controller	1.0	173170000000099	45	
21	Water Level Switch	1.0	174005110000015	16	
22	Induction pump	1.0	110010100000063	87	
23	Rubber Gasket of Water Drain Pump	1.0	126225000000005	3	
24	Pump Rubber washer	1.0	126225000000003	0	
25	Installing Plate of Water Drain Pump(RoHS)	1.0	122225000000352	1	
26	Drainage pipe	1.0	126225000000012	14	
27	Drain pipe	1.0	121005100000019	1	

PIONEER Multi Split Heat Pump Inverter INDOOR UNITS Parts Diagram

System Model:
Nominal Capacity: 12000 BTU
Power Supply: 208~230 V, 1 Ph, 60Hz.

Indoor Unit Model: CB012GMFILCFHD
Indoor Code: 22022511000710

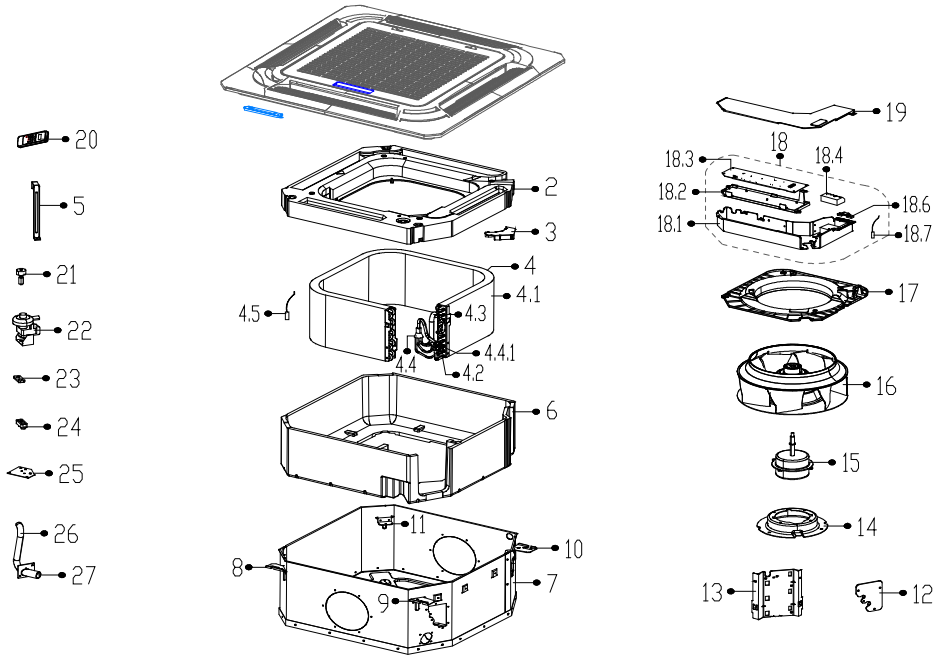


No.	Part Name	Quantity	BOM Code	BIN No.	Remark
2	Water receiver assembly	1.0	12822500000017	179	
3	Line pressing box	1.0	12122500000022	1	
4	Evaporator assembly Gas valve assembly	1.0	15822500000150	339	
4.1	Evaporator	1.0	15822500000173	262	
4.2	Copper nut	1.0	15500406000012	4	
4.3	Outlet Pipes of Evaporator	1.0	15122500000226	35	
4.4	Input pipes of Evaporator assemblyJoint board of Evaporator	1.0	15122500000277	28	
4.4.1	Copper nut	1.0	15500406000016	2	
4.5	Temperature Sensor	1.0	11201007000070	4	
5	Evaporator Fixing hanger	1.0	12222500000093	1	
6	Chassis Foam Subassembly	1.0	12822500000005	32	
7	Chassis Assembly	1.0	12222500000224	146	
8	Hook II	1.0	12222500000191	2	
9	Hook I	1.0	12222500000192	2	
10	Hook IV	1.0	12222500000190	2	
11	Hook III	1.0	12222500000193	2	
12	Sealed board ass'y	1.0	12122500000330	1	
13	Joint board of Evaporator	1.0	12222500000197	4	
14	Motor Installing Foundation	1.0	12222500000199	14	
15	Brushless DC Motor	1.0	11002015000069	411	
16	Centrifugal Fan	1.0	12100103000089	134	
17	Air Guide Coil	1.0	12122500000425	14	
18	E-Parts Box assembly	1.0	17222500000027	317	
18.1	Welding Parts of Electrical Control Box	1.0	12222500000165	18	
18.2	Wiring baseplate	1.0	12122500000029	5	
18.3	Indoor Main Control Board Subassembly (Sticker)Indoor Main	1.0	17122500000307	249	
18.4	Wire holder	1.0	17400401000075	23	
18.6	Wire clamp	1.0	12200203000041	1	
18.7	Room Temperature Sensor	1.0	11201007000283	3	
19	Electrical Control Box Cover Subassembly	1.0	12222500000209	9	
20	Remote controller	1.0	17317000000099	45	
21	Water Level Switch	1.0	17400511000015	16	
22	Induction pump	1.0	11001010000063	87	
23	Rubber Gasket of Water Drain Pump	1.0	12622500000005	3	
24	Pump Rubber washer	1.0	12622500000003	0	
25	Installing Plate of Water Drain Pump(RoHS)	1.0	12222500000352	1	
26	Drainage pipe	1.0	12622500000012	14	
27	Drain pipe	1.0	12100510000019	1	

PIONEER Multi Split Heat Pump Inverter INDOOR UNITS Parts Diagram

System Model:
Nominal Capacity: 18000 BTU
Power Supply: 208~230 V, 1 Ph, 60Hz.

Indoor Unit Model: CB018GMFILCFHD
Indoor Code: 22022511000711

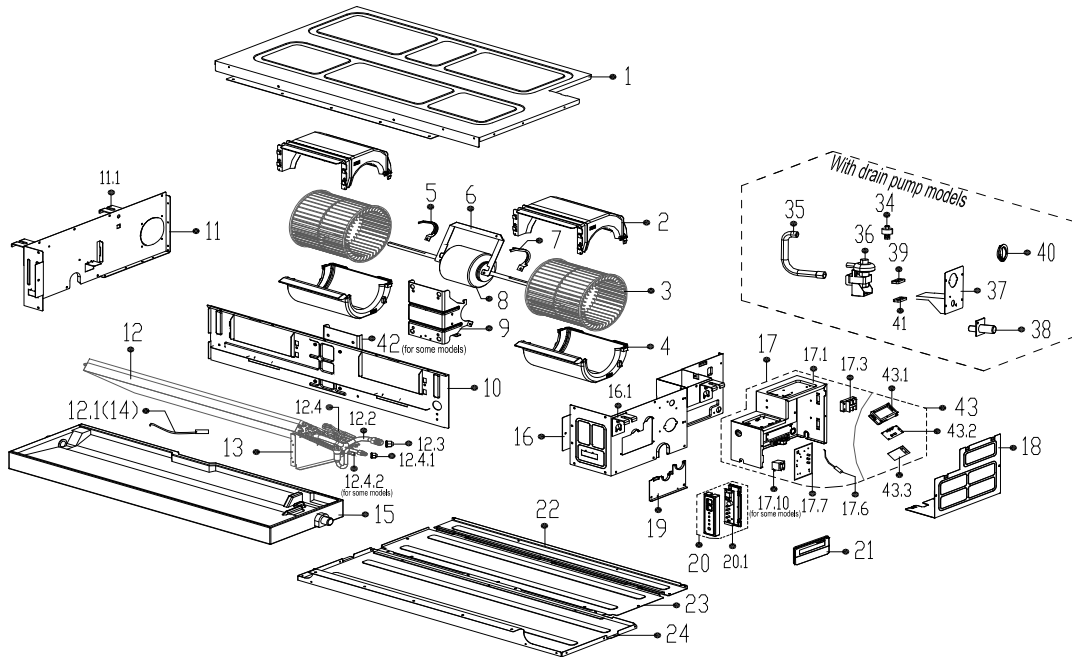


No.	Part Name	Quantity	BOM Code	BIN No.	Remark
2	Water receiver assembly	1.0	12822500000017	196	
3	Line pressing box	1.0	12122500000022	1	
4	Evaporator assembly Gas valve assembly	1.0	15822500000150	339	
4.1	Evaporator	1.0	15822500000173	262	
4.2	Copper nut	1.0	15500406000012	4	
4.3	Outlet Pipes of Evaporator	1.0	15122500000226	35	
4.4	Input pipes of Evaporator assembly	1.0	15122500000277	28	
4.4.1	Joint board of Evaporator	1.0	15500406000016	2	
4.5	Copper nut	1.0	11201007000070	4	
5	Temperature Sensor	1.0	12222500000093	1	
6	Evaporator Fixing hanger	1.0	12822500000005	32	
7	Chassis Foam Subassembly	1.0	12222500000224	146	
8	Chassis Assembly	1.0	12222500000191	2	
9	Hook II	1.0	12222500000192	2	
10	Hook I	1.0	12222500000190	2	
11	Hook IV	1.0	12222500000193	2	
12	Hook III	1.0	12122500000330	1	
13	Sealed board ass'y	1.0	12222500000197	4	
14	Joint board of Evaporator	1.0	12222500000199	14	
15	Motor Installing Foundation	1.0	11002015000069	411	
16	Brushless DC Motor	1.0	12100103000089	134	
17	Centrifugal Fan	1.0	12122500000425	14	
18	Air Guide Coil	1.0	17222500000094	317	
18.1	E-Parts Box assembly	1.0	12222500000165	18	
18.2	Welding Parts of Electrical Control Box	1.0	12122500000029	5	
18.3	Wiring baseplate	1.0	17122500000412	249	
18.4	Indoor Main Control Board Subassembly (Sticker)	1.0	17400401000075	23	
18.6	Indoor Main	1.0	12200203000041	1	
18.7	Wire clamp	1.0	11201007000283	3	
19	Room Temperature Sensor	1.0	12222500000209	9	
20	Electrical Control Box Cover Subassembly	1.0	17317000000099	45	
21	Remote controller	1.0	17400511000015	16	
22	Water Level Switch	1.0	11001010000063	87	
23	Induction pump	1.0	12622500000005	3	
24	Rubber Gasket of Water Drain Pump	1.0	12622500000003	0	
25	Pump Rubber washer	1.0	12222500000352	1	
26	Installing Plate of Water Drain Pump(RoHS)	1.0	12622500000012	14	
27	Drainage pipe	1.0	12100510000019	1	

PIONEER Multi Split Heat Pump Inverter INDOOR UNITS Parts Diagram

System Model:
Nominal Capacity: 9000 BTU
Power Supply: 208~230 V, 1 Ph, 60Hz.

Indoor Unit Model: RB009GMFILCFHD
Indoor Code: 22023011000630

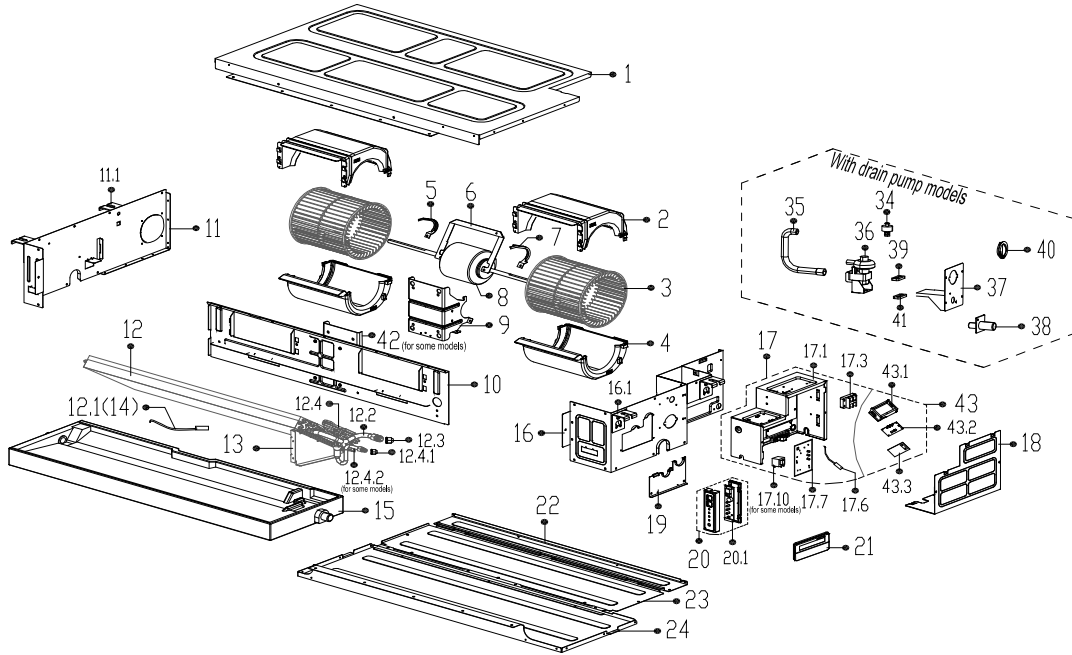


No.	Part Name	Quantity	BOM Code	BIN No.	Remark
1	Chassis Assembly	1.0	12223000000502	61	
2	Volute shell, up	2.0	12123000000026	8	
3	Centrifugal fan	2.0	12100103000077	26	
4	Volute shell	2.0	12123000000021	8	
5	Motor clamp	1.0	12222500000253	2	
6	Motor Boarding	1.0	12222300000230	2	
7	Motor clamp	1.0	12222500000255	1	
8	Brushless DC Motor	1.0	11002015000043	286	
9	Fan Motor Holder	1.0	122230000000567	10	
10	Middle beam ass'y	1.0	122230000000232	22	
11	Left panel Subassembly	1.0	122230000000117	31	
11.1	Hook	2.0	122230000000418	3	
12	Evaporator assembly Gas valve assembly	1.0	158230000000013	233	
12.2	Outlet Pipes of Evaporator	1.0	151223000000480	21	
12.3	Copper nut	1.0	15500406000010	3	
12.4	Input pipes of Evaporator assemblyJoint board of Evaporator	1.0	151230000000334	37	
12.4.1	Copper nut	1.0	155004060000016	2	
13	Evaporator support board ass'y	1.0	122230000000290	5	
14	Temperature Sensor	1.0	11201007000136	5	
15	Drain pan ass'y	1.0	128230000000003	96	
16	Parts fn Right Side Plate	1.0	122230000000077	38	
16.1	Hook	2.0	122230000000418	3	
17	Electronic control box assembly	1.0	172230000003437	382	
17.1	Welding Parts of Electrical Control Box	1.0	122230000000045	21	
17.3	Wire holder	1.0	174004010000006	9	
17.6	Room Temperature Sensor	1.0	11201007000143	3	
17.7	Indoor Main Control Board Subassembly (Tie-in, RoHS)	1.0	171230000000138	268	
17.10	Reactance	1.0	174003060000070	54	
18	Electrical Control Box Cover	1.0	122230000000059	2	
19	Pressing Plate Subassembly of Tube(RoHS)	1.0	1222300000000524	2	
20	Display box ass'y	1.0	172230000000003	28	
20.1	Display board assembly	1.0	171230000000096	24	
21	Wire Controller	1.0	173171000000022	97	
22	Rear beam ass'y	1.0	122230000000260	10	
23	Rear cover plate ass'y	1.0	1222300000000211	17	
24	Top cover ass'y	1.0	1222300000000200	27	
43	Electrical Control Box Subassembly	1.0	172227000000159	201	
43.1	Electrical Control Box	1.0	1222300000000052	4	
43.2	Inverter Module Subassembly (Sticker)	1.0	171220000008562	175	
43.3	Radiator	1.0	11203803000154	20	

PIONEER Multi Split Heat Pump Inverter INDOOR UNITS Parts Diagram

System Model:
Nominal Capacity: 12000 BTU
Power Supply: 208~230 V, 1 Ph, 60Hz.

Indoor Unit Model: RB012GMFILCFHD
Indoor Code: 22023011000631

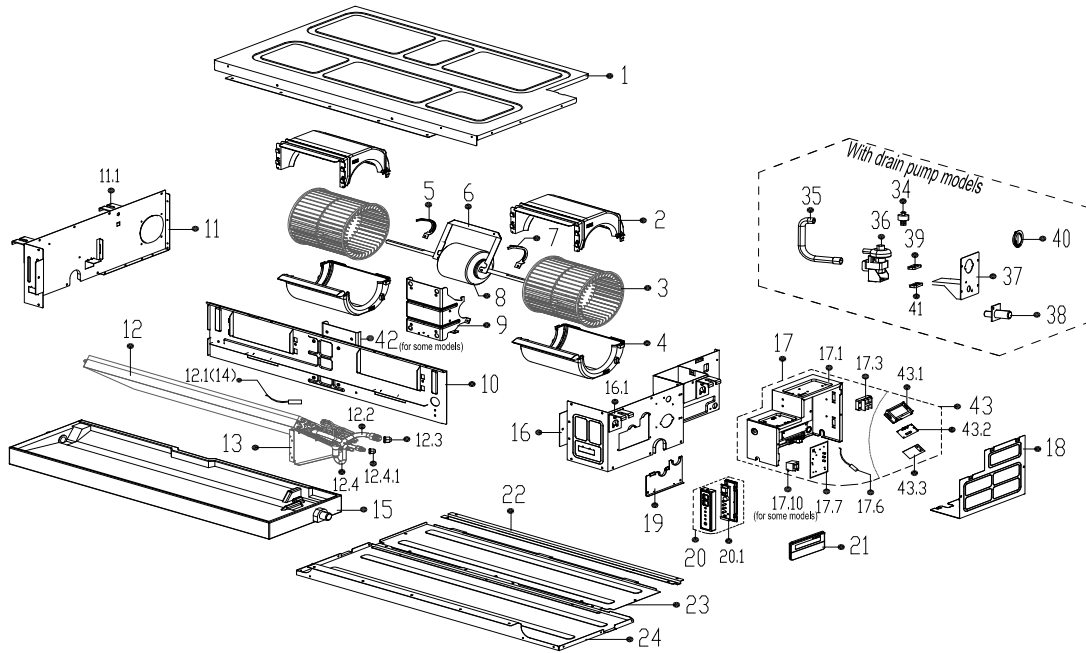


No.	Part Name	Quantity	BOM Code	BIN No.	Remark
1	Chassis Assembly	1.0	12223000000502	61	
2	Volute shell, up	2.0	12123000000026	8	
3	Centrifugal fan	2.0	121001030000077	26	
4	Volute shell	2.0	121230000000021	8	
5	Motor clamp	1.0	122225000000253	1	
6	Motor Boarding	1.0	122223000000230	2	
7	Motor clamp	1.0	122225000000255	1	
8	Brushless DC Motor	1.0	110020150000043	286	
9	Fan Motor Holder	1.0	122230000000567	10	
10	Middle beam ass'y	1.0	122230000000232	22	
11	Left panel Subassembly	1.0	122230000000117	31	
11.1	Hook	2.0	122230000000048	3	
12	Evaporator assembly Gas valve assembly	1.0	158230000000014	236	
12.2	Outlet Pipes of Evaporator	1.0	151230000000274	22	
12.3	Copper nut	1.0	155004060000012	4	
12.4	Input pipes of Evaporator assemblyJoint board of Evaporator	1.0	151230000000334	37	
12.4.1	Copper nut	1.0	155004060000016	2	
13	Evaporator support board ass'y	1.0	122230000000290	5	
14	Temperature Sensor	1.0	11201007000136	5	
15	Drain pan ass'y	1.0	128230000000003	96	
16	Parts fn Right Side Plate	1.0	122230000000077	38	
16.1	Hook	2.0	122230000000048	3	
17	Electronic control box assembly	1.0	172230000003438	311	
17.1	Welding Parts of Electrical Control Box	1.0	122230000000045	21	
17.3	Wire holder	1.0	174004010000006	9	
17.6	Room Temperature Sensor	1.0	11201007000143	3	
17.7	Indoor Main Control Board Subassembly (Tie-in, RoHS)	1.0	171230000000073	264	
18	Electrical Control Box Cover	1.0	122230000000059	2	
19	Pressing Plate Subassembly of Tube(RoHS)	1.0	122230000000524	2	
20	Display box ass'y	1.0	172230000000003	28	
20.1	Display board assembly	1.0	171230000000096	24	
21	Wire Controller	1.0	173171000000022	97	
22	Rear beam ass'y	1.0	122230000000260	10	
23	Rear cover plate ass'y	1.0	122230000000211	17	
24	Top cover ass'y	1.0	122230000000200	27	
43	Electrical Control Box Subassembly	1.0	17222700000159	201	
43.1	Electrical Control Box	1.0	122230000000052	4	
43.2	Inverter Module Subassembly (Sticker)	1.0	171220000008562	175	
43.3	Radiator	1.0	11203803000154	20	

PIONEER Multi Split Heat Pump Inverter INDOOR UNITS Parts Diagram

System Model: 24000 BTU
Nominal Capacity: 208~230 V, 1 Ph, 60Hz.
Power Supply:

Indoor Unit Model: RB024GMFILCFHD
Indoor Code: 22023011000633

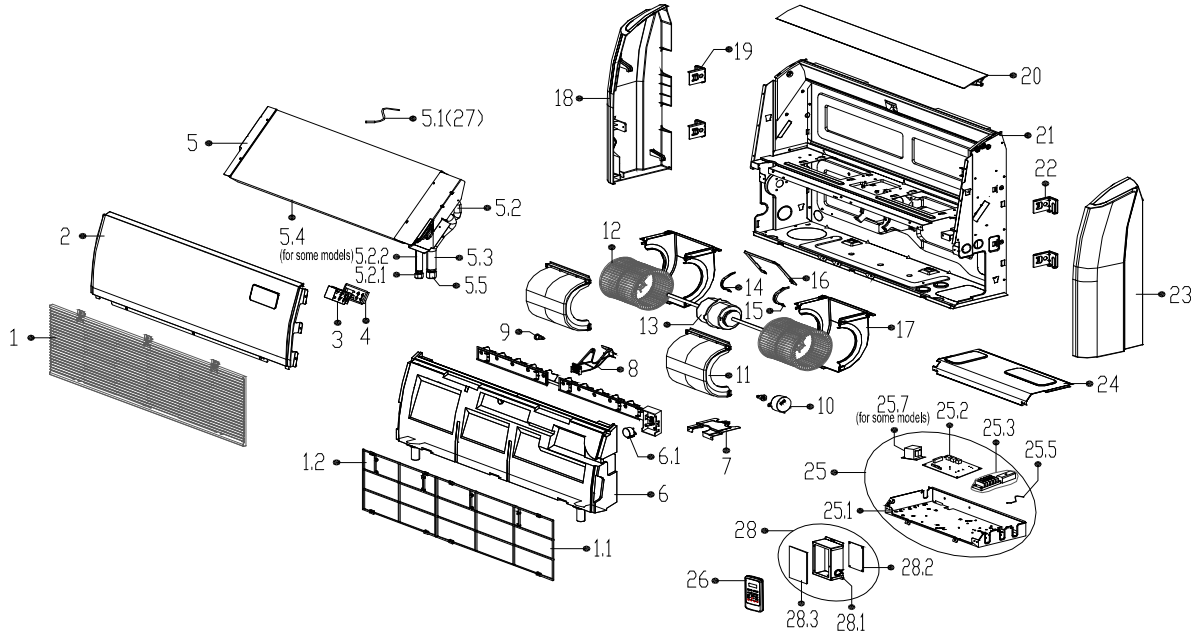


No.	Part Name	Quantity	BOM Code	BIN No.	Remark
1	Chassis Assembly	1.0	12223000000515	81	
2	Volute shell,up	2.0	12123000000024	14	
3	Centrifugal fan	2.0	12100103000079	53	
4	Volute shell,down	2.0	12123000000022	12	
5	Motor clamp	1.0	12222500000253	1	
6	Motor Boarding	1.0	12223000000537	2	
7	Motor clamp	1.0	12222500000255	1	
8	Brushless DC Motor	1.0	11002015000344	323	
9	Fan Motor Holder	1.0	12223000000559	14	
10	Middle beam components	1.0	12223000000233	42	
11	Left panel Subassembly	1.0	12223000000122	39	
11.1	Hook	2.0	12223000000418	3	
12	Evaporator assembly Gas valve assembly	1.0	15823000000114	484	
12.1	Temperature Sensor	1.0	11201007000136	5	
12.2	Outlet Pipe Subassembly	1.0	15123000000280	53	
12.3	Copper net	1.0	15500406000003	6	
12.4	Inlet Pipe Subassembly	1.0	15123000000340	77	
12.4.1	Copper nut	1.0	15500406000010	3	
13	Components of the right support plate evaporator	1.0	12223000000291	6	
15	Water receiver assembly	1.0	12823000000001	104	
16	Parts fn Right Side Plate	1.0	12223000000079	46	
16.1	Hook	2.0	12223000000418	3	
17	Electronic control box assembly	1.0	172230000003439	283	
17.1	Welding Parts of Electrical Control Box	1.0	12223000000046	24	
17.3	Wire holder	1.0	17400401000006	9	
17.6	Room Temperature Sensor	1.0	11201007000073	3	
17.7	Indoor Main Control Board Subassembly (Tie-in, RoHS)	1.0	17123000000118	238	
18	E-Part box cover	1.0	12223000000060	8	
19	Pressing Plate Subassembly of Tube(RoHS)	1.0	12223000000524	2	
20	Display box ass'y	1.0	17223000000003	28	
20.1	Display board assembly	1.0	17123000000096	24	
21	Wire Controller	1.0	17317100000022	97	
22	Rear beam	1.0	12223000000263	5	
23	Rear Cover Plate	1.0	12223000000217	24	
24	Top cover ass'y	1.0	12223000000199	40	
42	Motor Installing Foundation Subassembly	1.0	12223000000547	10	
43	Electrical Control Box Subassembly	1.0	17222700000162	205	
43.1	Electrical Control Box	1.0	12223000000052	4	
43.2	Inverter Module Subassembly (Sticker)	1.0	171220000008498	178	
43.3	Radiator	1.0	11203803000154	20	

PIONEER UYB Series Heat Pump Inverter Parts Diagram (Indoor Section)

System Model: UYB018GMFILCRD
Nominal Capacity: 18000 BTU
Power Supply: 208~230 V, 1 Ph, 60Hz.

Indoor Unit Model: UB018GMFILCFHD
Indoor Code: 22022711000996

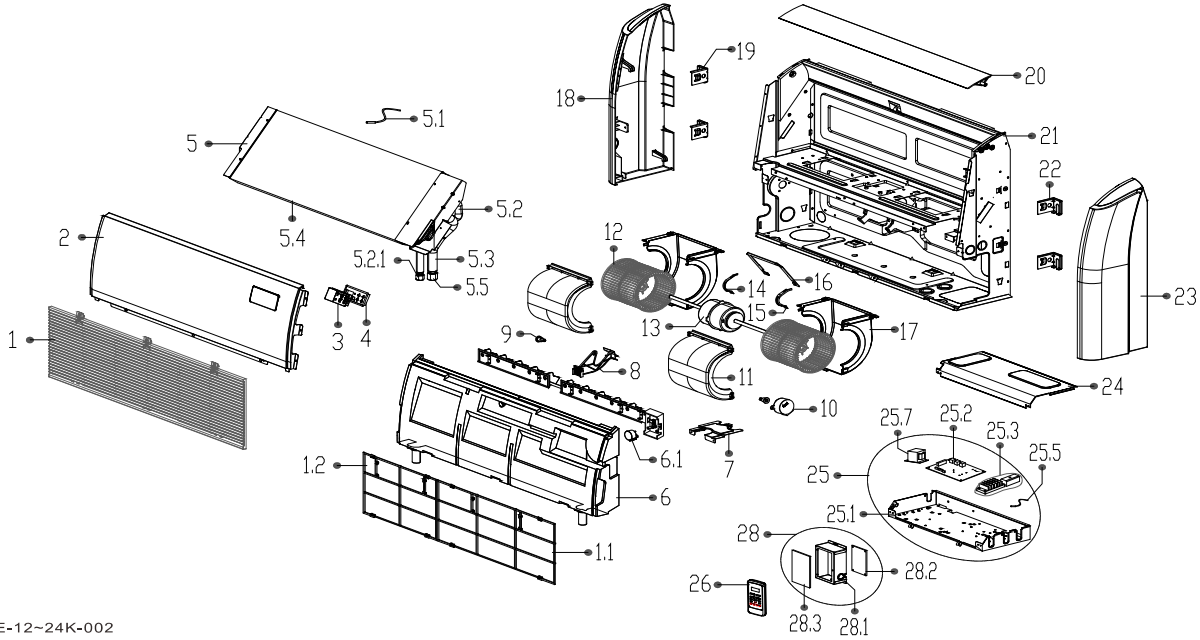


No.	Part Name	Quantity	BOM Code	BIN No.	Remark
1	Air Returning Grille Subassembly	1.0	12122700000100	24	
1.1	Air Filter	1.0	12100204000718	6	
1.2	Air Filter	1.0	12100204000719	5	
2	Top cover	1.0	12222700000096	54	
3	VLED Display Module	1.0	17122700000005	19	
4	Display panel box	1.0	12122700000044	0	
5	Evaporator assembly	1.0	15822700000557	332	
5.1	Temperature Sensor	1.0	11201007000006	5	
5.2	Input pipes of Evaporator assembly	1.0	15122700000236	36	
5.2.1	Joint board of Evaporator	1.0	15500406000016	2	
5.3	Outlet Pipes of Evaporator	1.0	15122700000202	59	
5.4	Evaporator	1.0	15822700000598	221	
5.5	Copper nut	1.0	15500406000012	4	
6	Water receiver subassembly	1.0	12822700000010	146	
6.1	Stepper motor	1.0	11002010000546	19	
7	Connecting pipe clamp	1.0	12222700000054	2	
8	Guide holder	1.0	12122700000150	1	
9	Electricity preventing axis	2.0	12122000000344	0	
10	stepper motor	1.0	11002010000057	41	
11	Upper Volute	2.0	12122700000049	11	
12	Plastic Fan Wheel	2.0	12100103000165	28	
13	Brushless DC Motor	1.0	11002015000043	286	
14	Motor clamp	1.0	12222500000255	1	
15	Motor clamp	1.0	12222500000253	1	
16	Motor Boarding	1.0	12222300000230	2	
17	Lower Scroll	2.0	12122700000113	14	
18	Cover plate (right)	1.0	12122700000087	15	
19	Installation Right Hanger	2.0	12222700000018	2	
20	Subassembly of Air Guide Strip	1.0	12122700000061	35	
21	Chassis assembly	1.0	12222700000229	225	
22	Installation Left Hanger	2.0	12222700000016	2	
23	Cover plate (left)	1.0	12122700000093	15	
24	E-Part Box Cover Subassembly	1.0	12222700000058	14	
25	E-Parts Box assembly	1.0	17222700000538	419	
25.1	Welding Parts of Electrical Control Box	1.0	12222700000083	17	
25.2	Indoor Main Control Board Subassembly (Tie-in, RoHS)	1.0	17122700000635	248	
25.3	Wire joint	1.0	17400401000020	4	
25.3	Wire holder	1.0	17400401000075	23	
25.5	Room Temperature Sensor	1.0	11201007000073	3	
25.7	Reactance	1.0	17400306000070	54	
26	Remote controller	1.0	17317000000099	45	
27	Temperature Sensor	1.0	11201007000266	7	
28	Electrical Control Box Subassembly	1.0	17222700000159	201	
28.1	Electrical Control Box	1.0	12223000000052	4	
28.2	Inverter Module Subassembly (Sticker)	1.0	171220000008562	175	
28.3	Radiator	1.0	11203803000154	20	

PIONEER UYB Series Heat Pump Inverter Parts Diagram (Indoor Section)

System Model: UYB024GMFILCRD
Nominal Capacity: 24000 BTU
Power Supply: 208~230 V, 1 Ph, 60Hz.

Indoor Unit Model: UB024GMFILCFHD
Indoor Code: 22022711000421



DL-E-12~24K-002

No.	Part Name	Quantity	BOM Code	BIN No.	Remark
1	Air Returning Grille Subassembly	1.0	12122700000100	24	
1.1	Air Filter	1.0	12100204000718	6	
1.2	Air Filter	1.0	12100204000719	5	
2	Top cover	1.0	12222700000096	54	
3	VLED Display Module	1.0	17122700000005	19	
4	Display panel box	1.0	12122700000044	0	
5	Evaporator assembly Gas valve assembly	1.0	15822700000192	406	
5.1	Temperature Sensor	1.0	11201007000266	7	
5.1	Temperature Sensor	1.0	11201007000006	5	
5.2	Input pipes of Evaporator assemblyJoint board of Evaporator	1.0	15122700000228	74	
5.2.1	Copper nut	1.0	15500406000010	3	
5.3	Outlet Pipes of Evaporator	1.0	15122700000185	79	
5.4	Evaporator	1.0	15822700000203	335	
5.5	Copper net	1.0	15500406000003	6	
6	Water receiver subassembly	1.0	12822700000010	146	
6.1	Stepper motor	1.0	11002010000546	19	
7	Connecting pipe clamp	1.0	12222700000054	2	
8	Guide holder	1.0	12122700000150	1	
9	Electricity preventing axis	2.0	12122000000344	0	
10	stepper motor	1.0	11002010000057	41	
11	Volute shell	2.0	12122700000047	10	
12	Centrifugal fan	2.0	12100103000002	26	
13	Brushless DC Motor	1.0	11002015000043	286	
14	Motor clamp	1.0	12222500000255	1	
15	Motor clamp	1.0	12222500000253	1	
16	Motor Boarding	1.0	12222300000230	2	
17	Volute shell	2.0	12122700000111	11	
18	Cover plate (right)	1.0	12122700000087	15	
19	Installation Right Hanger	2.0	12222700000018	2	
20	Subassembly of Air Guide Strip	1.0	12122700000061	35	
21	Chassis Assembly	1.0	12222700000059	239	
22	Installation Left Hanger	2.0	12222700000016	2	
23	Cover plate (left)	1.0	12122700000093	15	
24	E-Part Box Cover Subassembly	1.0	12222700000058	14	
25	E-Parts Box assembly	1.0	17222700000124	398	
25.1	Welding Parts of Electrical Control Box	1.0	12222700000083	17	
25.2	Indoor Main Control Board Subassembly (Tie-in, RoHS)	1.0	17122700000068	224	
25.3	Wire holder	1.0	17400401000006	9	
25.3	Wire joint	1.0	17400401000020	4	
25.5	Room Temperature Sensor	1.0	11201007000073	3	
25.7	Reactance	1.0	17400306000070	54	
26	Remote controller	1.0	17317000000099	45	
28	Electrical Control Box Subassembly	1.0	17222700000159	201	
28.1	Electrical Control Box	1.0	12223000000052	4	
28.2	Inverter Module Subassembly (Sticker)	1.0	17122000008562	175	
28.3	Radiator	1.0	11203803000154	20	