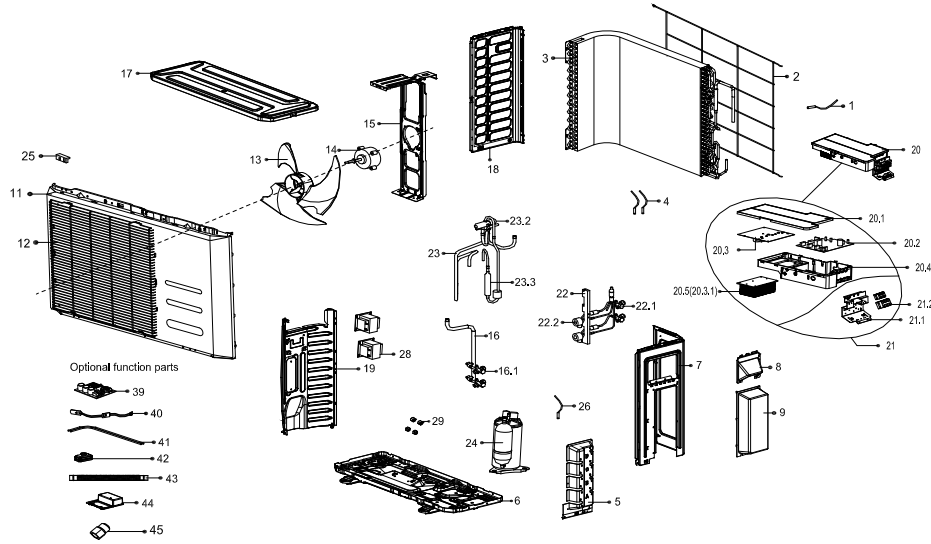


PIONEER 2 CIRCUIT Multi Split Inverter OD unit Parts Diagram

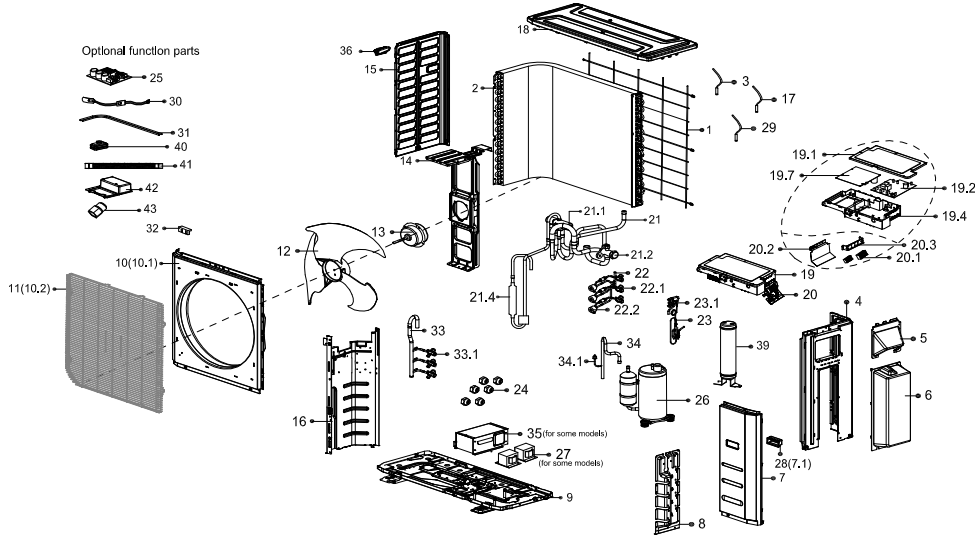
Model: YN020GMFI22M2D
Code: 22022316000385
Power Supply: 208~230 V, 1 Ph, 60Hz.



No.	Part Name	Quantity	BOM Code	BIN No.	Remark
1	Room Temperature Sensor	1.0	11201007000143	3	
2	Rear net	1.0	12222000004833	19	
3	Condenser Assembly	1.0	15822000004516	604	
4	Temperature Sensor	1.0	11201007000136	5	
4	Temperature Sensor	1.0	11201007000259	7	
5	Valve plate	1.0	12222300000551	16	
6	Chassis assembly	1.0	12222200002994	81	
7	Rear right clapboard assembly	1.0	12222300000550	49	
8	Big Handle.	1.0	12222300000029	6	
9	Water collector	1.0	12122300000150	24	
11	Front panel	1.0	12222000006304	121	
12	Air outlet grille	1.0	12222000007425	49	
13	Axial fan	1.0	12100105000181	43	
14	Brushless DC Motor	1.0	11002015000397	212	
15	Supporter assembly of fan motor	1.0	12222000004884	27	
16	Liquid valve assembly	1.0	15422300000425	81	
16.1	Low Pressure Valve	2.0	15500204000021	21	
17	Top cover assembly	1.0	12222000004835	52	
18	Left supporter	1.0	12222000004831	29	
19	Partition board assembly	1.0	12222000004784	22	
20	Electronic control box assembly	1.0	17222300000769	1048	
20.1	Electric Installing Box Cover	1.0	12122300000044	21	
20.2	Outdoor main control board assembly	1.0	17122300001132	261	
20.3	Inverter control board assembly	1.0	17122300001114	736	
20.3.1	Radiator	1.0	11203803000676	1	
20.3.1	Radiator	1.0	11203803000856	136	
20.4	Installation board for E-parts	1.0	12122300000041	49	
21	Terminal Block Subassembly of Electrical Control Box	1.0	17222300000768	65	
21.1	Wiring terminal installing plate	1.0	12222300000226	5	
21.2	Wire holder	1.0	17400401000084	19	
22	Liquid valve assembly	1.0	15422300000426	340	
22.1	High-Voltage valve	2.0	15500208000028	13	
22.2	Electric expansive valve assembly	2.0	15500213000046	128	
23	4-ways valve assembly	1.0	15422300000424	159	
23.2	4-way Valve	1.0	15500216000003	83	
23.3	Muffler	1.0	15500506000007	20	
24	DC Inverter Rotary Compressor	1.0	11103020000499	963	
26	Discharge temperature sensor assembly	1.0	11201007000246	11	
28	Reactance	1.0	17400306000070	54	
28	Reactor	1.0	17400306000058	74	
29	Copper nut	2.0	15500406000012	4	
29	Copper nut	2.0	15500406000016	2	
29	Copper nut	2.0	15500406000010	3	
40	Electric heating strip of compressor	1.0	17402001000008	23	
45	Accessory-Adapter	2.0	15500307000001	11	

PIONEER 3 CIRCUIT Multi Split Inverter OD unit Parts Diagram

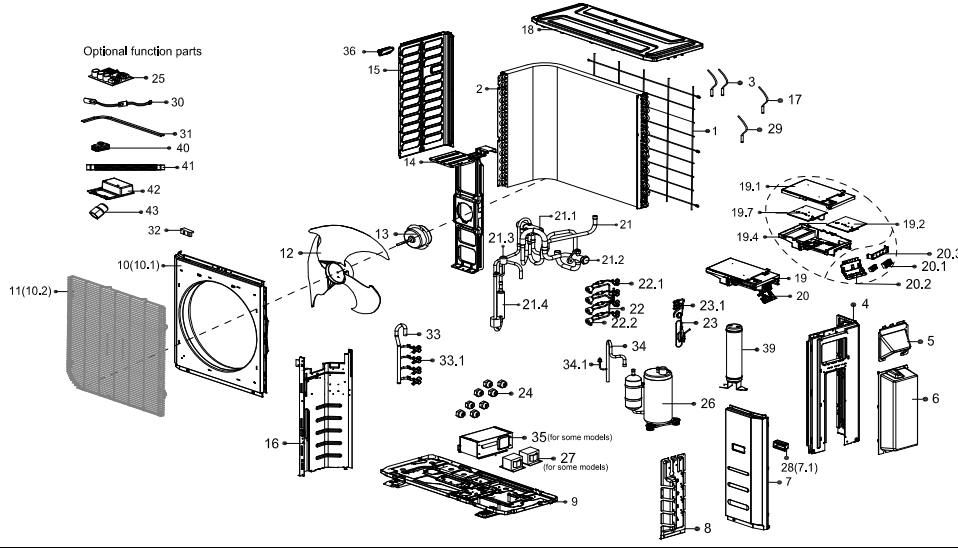
Model: YN030GMFI22M3D
Code: 22022316000327
Power Supply: 208~230 V, 1 Ph, 60Hz.



No.	Part Name	Quantity	BOM Code	BIN No.	Remark
1	Rear net	1.0	12222000006604	28	
2	Condenser Assembly	1.0	15822000002068	607	
3	Temperature Sensor	1.0	11201007000044	7	
3	Temperature Sensor	1.0	11201007000006	5	
4	Rear right clapboard assembly	1.0	122223000000510	59	
5	Big handle	1.0	122223000000529	6	
6	Water collector	1.0	12122300000110	24	
7	Front right clapboard assembly	1.0	122225000000633	50	
7.1	Little Handle	1.0	121007020000038	1	
8	Valve plate	1.0	122220000005282	16	
9	Chassis assembly	1.0	122220000006984	124	
10	Front panel	1.0	122220000004983	102	
11	Air Outlet Guard	1.0	122222000000907	63	
12	Axial fan	1.0	121001050000084	51	
13	Brushless DC Motor	1.0	110020150000247	252	
14	Holder for fan motor assembly	1.0	122220000005162	47	
15	Left side plate assembly of cabinet	1.0	122220000006665	40	
16	Separator Assembly	1.0	122222000001156	30	
17	Room Temperature Sensor	1.0	112010070000039	3	
18	Top cover assembly	1.0	122225000000541	67	
19	Electronic control box assembly	1.0	172223000000730	1120	
19.1	Electric Installing Box Cover	1.0	121220000006905	25	
19.2	Outdoor main control board assembly	1.0	171223000001094	284	
19.4	Electric Installing Box	1.0	121223000000170	40	
19.7	Inverter control board assembly	1.0	171223000001552	785	
20	Terminal board assembly	1.0	172223000000729	82	
20.1	Wire holder	2.0	17400401000135	14	
20.2	Terminal Installing Plate	1.0	122223000000033	4	
20.3	Terminal Installing Plate	1.0	122223000000032	2	
21	4-way Valve Assembly	1.0	154223000000604	227	
21.1	4-ways valve	1.0	15500216000361	91	
21.2	Low Pressure Valve	1.0	155002040000049	61	
21.4	Muffler	1.0	155005060000007	20	
22	Liquid valve assembly	1.0	154223000000404	383	
22.1	High-Voltage valve	3.0	155002080000028	13	
22.2	Electric expansive valve assembly	3.0	155002130000046	128	
23	Liquid valve assembly	1.0	154223000000405	38	
23.1	Liquid valve	1.0	155002080000047	24	
24	Copper nut	3.0	155004060000010	3	
24	Copper nut	3.0	155004060000012	4	
24	Copper nut	3.0	155004060000016	2	
26	Inverter Controlled Rotary Compressor	1.0	111030200000179	957	
27	Reactance	1.0	174003060000070	54	
27	Reactor	1.0	174003060000058	74	
29	Discharge temperature sensor assembly	1.0	112010070000246	11	
31	Crankcase electric heater	1.0	17402001000119	24	
32	Clamp, front net	8.0	121220000006844	0	
33	Gas valve assembly	1.0	154223000000406	126	
33.1	Low Pressure Valve	3.0	155002040000021	21	
34	Suction pipe assembly	1.0	151223000001047	21	
39	Accumulator cylinder	1.0	155005080000315	78	
43	Accessory-Adapter	3.0	155003070000001	11	

PIONEER 4 CIRCUIT Multi Split Inverter OD unit Parts Diagram

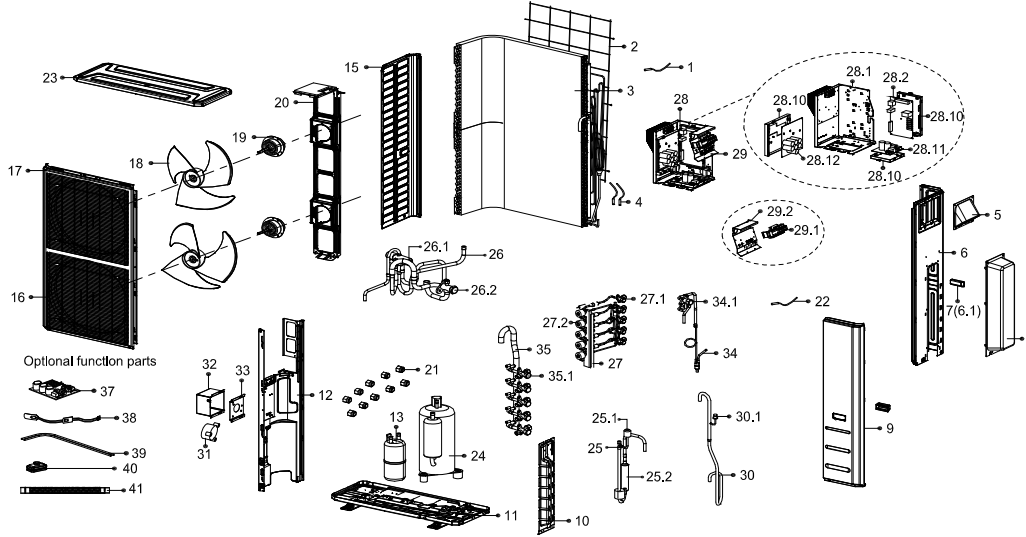
Model: YN040GMFI22M4D
Code: 22022316000326
Power Supply: 208~230 V, 1 Ph, 60Hz.



No.	Part Name	Quantity	BOM Code	BIN No.	Remark
1	Rear net	1.0	12222000006604	28	
2	Condenser Assembly	1.0	15822200000807	754	
3	Temperature Sensor	1.0	11201007000006	5	
3	Temperature Sensor	1.0	11201007000007	7	
4	Rear right clapboard assembly	1.0	12222300000510	59	
5	Big handle	1.0	12222300000529	6	
6	Water collector	1.0	12122300000110	24	
7	Front right clapboard assembly	1.0	12222500000633	50	
7.1	Little Handle	1.0	12100702000038	1	
8	Valve plate	1.0	12222000005282	16	
9	Chassis assembly	1.0	12222000006984	124	
10	Front panel	1.0	12222000004983	102	
11	Air Outlet Guard	1.0	12222200000907	63	
12	Axial fan	1.0	12100105000084	51	
13	Brushless DC Motor	1.0	11002015000247	252	
14	Holder for fan motor assembly	1.0	12222000005162	47	
15	Left side plate assembly of cabinet	1.0	12222000006665	40	
16	Separator Assembly	1.0	12222200001158	29	
17	Room Temperature Sensor	1.0	11201007000039	3	
18	Topcap assembly	1.0	12222500000587	67	
19	E-Parts Box assembly	1.0	17222300000791	1536	
19.1	Electric Installing Box Subassembly	1.0	12122200002719	49	
19.2	Sticker Subassembly of Outdoor Main Control Board	1.0	17122300001154	384	
19.4	Electric Installing Box Subassembly	1.0	12122200002715	32	
19.7	Outdoor Inverter Module Subassembly	1.0	17122500001174	1113	
20	Terminal Block Subassembly of Electrical Control Box	1.0	17222300000790	93	
20.1	Wire holder	1.0	17400401000135	14	
20.1	Wire holder	1.0	17400401000084	19	
20.2	Terminal Installing Plate	1.0	12222300000033	4	
20.3	Terminal Installing Plate	1.0	12222300000032	2	
21	Gas Valve Assembly	1.0	15422300000347	195	
21.1	4-ways valve	1.0	15500216000361	91	
21.2	Low Pressure Valve	1.0	15500204000049	61	
21.3	Pressure controller	1.0	17400516000020	27	
21.4	Muffer	1.0	15500506000007	20	
22	Liquid valve assembly	1.0	15422300000364	502	
22.1	High-Voltage valve	4.0	15500208000028	13	
22.2	Electric expansive valve assembly	4.0	15500213000046	128	
23	Liquid valve assembly	1.0	15422300000346	37	
23.1	Liquid valve	1.0	15500208000047	24	
24	Copper nut	4.0	15500406000016	2	
24	Copper nut	3.0	15500406000010	3	
24	Copper nut	4.0	15500406000012	4	
26	DC Inverter Rotary Compressor	1.0	11103020000439	1376	
29	Discharge temperature sensor assembly	1.0	112010070000157	7	
31	Crankcase electric heater	1.0	17402001000119	24	
32	Clamp, front net	8.0	12122000006844	0	
33	Gas valve assembly	1.0	15422300000365	156	
33.1	Low Pressure Valve	3.0	15500204000021	21	
33.1	Low Pressure Valve	1.0	15500204000058	24	
34	Suction pipe assembly	1.0	15122300001024	44	
34.1	Pressure switch	1.0	17400516000024	23	
39	Accumulator cylinder	1.0	15500508000315	78	
43	Accessory-Adapter	3.0	15500307000001	11	

PIONEER 5 CIRCUIT Multi Split Inverter OD unit Parts Diagram

Model: YN050GMFI22M5D
Code: 22022316000545
Power Supply: 208~230 V, 1 Ph, 60Hz.



No.	Part Name	Quantity	BOM Code	BIN No.	Remark
1	Room Temperature Sensor	1.0	11201007000039	3	
2	Rear net	1.0	12222000007944	66	
3	Condenser assembly	1.0	15822200001056	613	
3	Condenser assembly	1.0	15822200001058	673	
4	Temperature Sensor	1.0	112010070000142	29	
4	Temperature Sensor	1.0	112010070000006	5	
5	Big Handle Subassembly	1.0	12223300000039	9	
6	Rear right clapboard assembly	1.0	12222000007125	112	
8	Water collector	1.0	12122000014341	10	
9	Front clapboard assembly	1.0	12222000006287	89	
10	Valve plate	1.0	12222000006744	17	
11	Chassis	1.0	12222000006290	154	
12	Partition board assembly	1.0	12222000005733	69	
13	Accumulator cylinder	1.0	15500508000009	122	
15	Left side plate assembly of cabinet	1.0	12222200002363	72	
16	Air outlet grille	2.0	12222000007904	61	
17	Front panel	1.0	12222000007564	175	
18	Axial fan	2.0	12100105000022	53	
19	Brushless DC Motor	1.0	11002015004201	241	
19	Brushless DC Motor	1.0	11002015002241	264	
20	Supporter assembly of fan motor	1.0	12222000006288	103	
21	Copper nut	5.0	15500406000012	4	
21	Copper nut	5.0	15500406000016	2	
21	Copper nut	3.0	15500406000010	3	
22	Discharge temperature sensor assembly	1.0	112010070000138	5	
23	Top cover assembly	1.0	12222200002359	63	
24	DC Inverter Rotary Compressor	1.0	11103020000619	1776	
25	Compressor exhaust pipe Assembly	1.0	15122000013594	66	
25.1	Pressure controller	1.0	17400516000020	27	
25.2	Muffler	1.0	15500506000012	17	
26	4-way Valve Assembly	1.0	15422000007214	375	
26.1	4-way valve	1.0	15500216000681	196	
26.2	Low Pressure Valve	1.0	15500204000049	61	
27	Liquid valve Assembly	1.0	15422000007213	630	
27.1	High-Voltage valve	5.0	15500208000028	13	
27.2	Electronic expansion valve	5.0	15500213000565	123	
28	Electronic control box assembly	1.0	17223300001269	2774	
28.1	Installation plate of electric parts	1.0	12222000006289	45	
28.2	Main control board assembly	1.0	17122300001572	383	
28.10	Installation box of electric parts	1.0	12122000014343	12	
28.10	Installation box of electric parts	1.0	12122000014342	12	
28.10	Installation box of electric parts	1.0	12122000014182	11	
28.11	Main control board assembly	1.0	17122000021908	487	
28.12	Main control board assembly	1.0	17122500001774	1360	
29	Terminal Block Subassembly of Electrical Control Box	1.0	17223300001268	151	
29.1	Wire holder	1.0	17400401000084	19	
29.1	Wire holder	1.0	17400401000135	14	
29.1	Wire holder	1.0	17400401000082	14	
29.2	Terminal Installing Plate	1.0	12222300000288	8	
30	Compressor suction pipe Assembly	1.0	15122000013597	52	
30.1	Pressure switch	1.0	17400516000008	25	
31	PFC Inductor	1.0	11201101000002	339	
32	Cover of inductance	1.0	12222000006284	16	
33	Installation base of inductance	1.0	12222000006286	4	
34	Liquid valve Assembly	1.0	15422000007212	52	
34.1	Liquid valve	1.0	15500208000047	24	
35	Low Pressure Valve assembly	1.0	15422000007215	202	
35.1	Low Pressure Valve	2.0	15500204000058	24	
35.1	Low Pressure Valve	3.0	15500204000021	21	
38	Crankshaft Electrical Heating Strip	1.0	17402001000003	25	