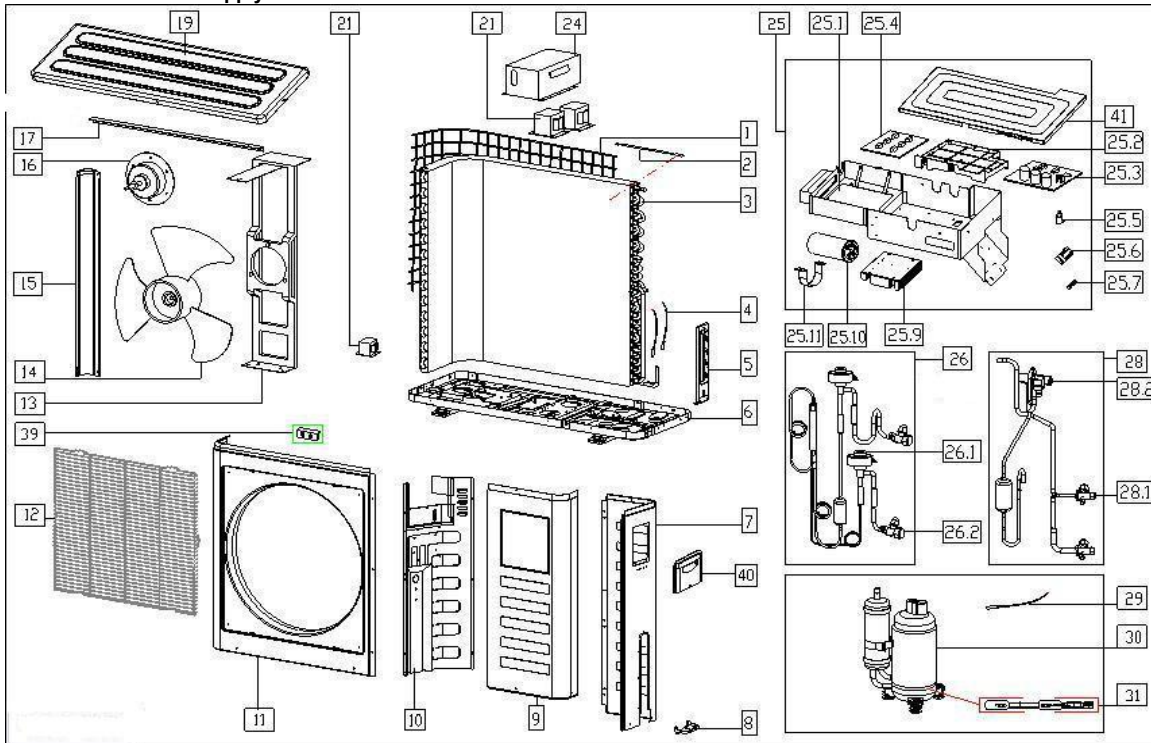


Sale model : YN018GMFI16M2D-V1  
 ProdCode : 220057000460  
 Power Supply : 208-230V~ 60Hz 1Phase

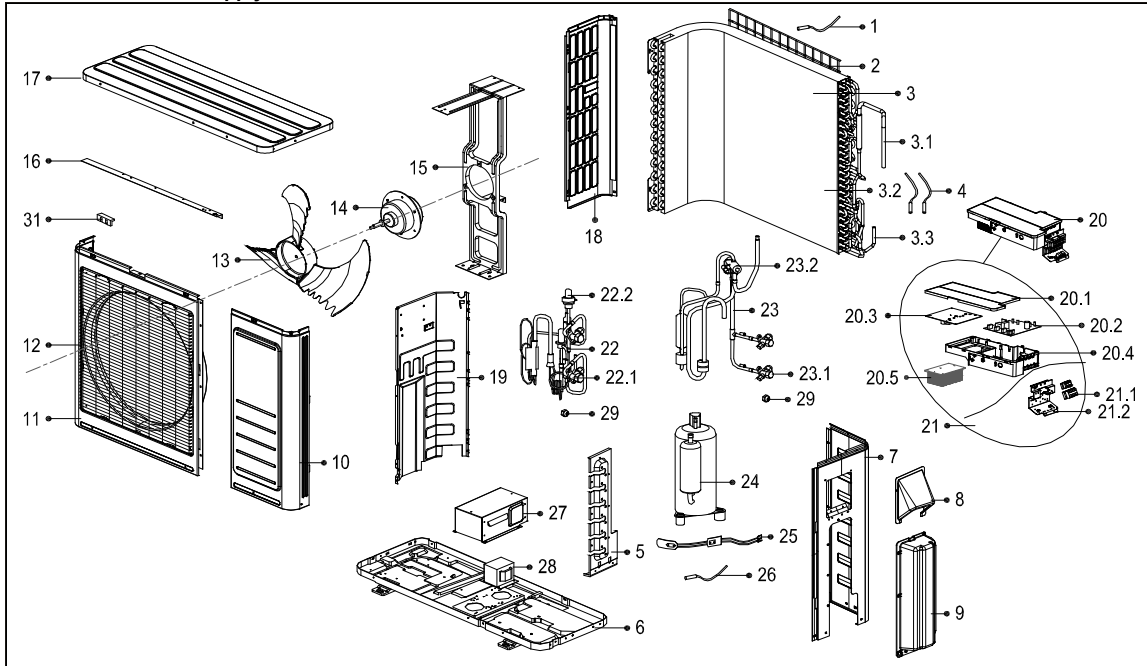
Serials: PRE 50130047



No.	Part Name	Quantity	BOM code	Bin Code	Remark
1	Rear net	1	2011481G0001	8	
2	Ambient temperature sensor assembly	1	202301310075	4	
3	Condenser assembly	1	201557090037	516	
4	Pipe temperature sensor assembly	1	202440500004	4	
4	Pipe temperature sensor assembly	1	202301300423	8	
5	Valve plate	1	201257190109	21	
6	Chassis assembly	1	201257090054	94	
7	Rear right clapboard assembly	1	201257190094	48	
8	Water collector	1	201137300183	2	
9	Front right clapboard assembly	1	201248100389	44	
10	Partition board assembly	1	201257190026	34	
11	Front panel	1	201248100359	52	
12	Air outlet grille	1	201237890112	27	
13	Supporter assembly of fan motor	1	2012481G0038	42	
14	Axial flow fan	1	201145500002	55	
15	Left supporter	1	201248100367	10	
16	Asynchronous motor	1	202400400955	262	
17	Rear net frame	1	201248100384	6	
19	Top cover assembly	1	201257190097	50	
21	Reactance	1	202301000818	233	
21	Reactance	1	202301000832	237	
21	Reactance	1	202301040055	56	
24	Cover of inductance	1	201248090001	12	
25	Electronic control box assembly	1	203357090028	883	
25.1	Electronic control box	1	201257190050	34	
25.2	Installation plate of PCB	1	201157390005	12	
25.3	Main control board assembly	1	201357090035	378	
25.4	Inverter control board assembly	1	201357190062	407	
25.5	Fan motor capacitor	1	202401100353	6	
25.6	Wire joint	2	202301450156	13	
25.7	Insulation plate	1	201157390004	2	
25.9	Radiator	1	202301990007	67	
25.10	Capacitor of compressor	1	202401000508	17	
25.11	Capacitor clip	1	201200100026	2	
26	Liquid valve assembly	1	201657090307	375	
26.1	Electronic expansion valve assembly	2	201601300554	124	
26.2	Liquid valve	2	201600740097	19	
28	4-way valve assembly	1	201657090312	289	
28.1	Gas valve	2	201600720091	35	
28.2	4-Ways valve	1	201600690011	108	
29	Discharge temperature sensor assembly	1	202448200000	11	
30	Compressor	1	201400600540	1493	
31	Crankcase electric heater	1	202403100500	23	
39	Clamp of front net	8	201135110801	2	
40	Big Handle	1	201257190112	8	
41	Cover of electronic control box	1	201257090037	10	

Sale Model : YN018GMFI16M2D-V2  
 Product Code : 220057000700  
 Power Supply : 208-230V~ 60Hz 1Phase

Serials: 50130047-0070 and Newer



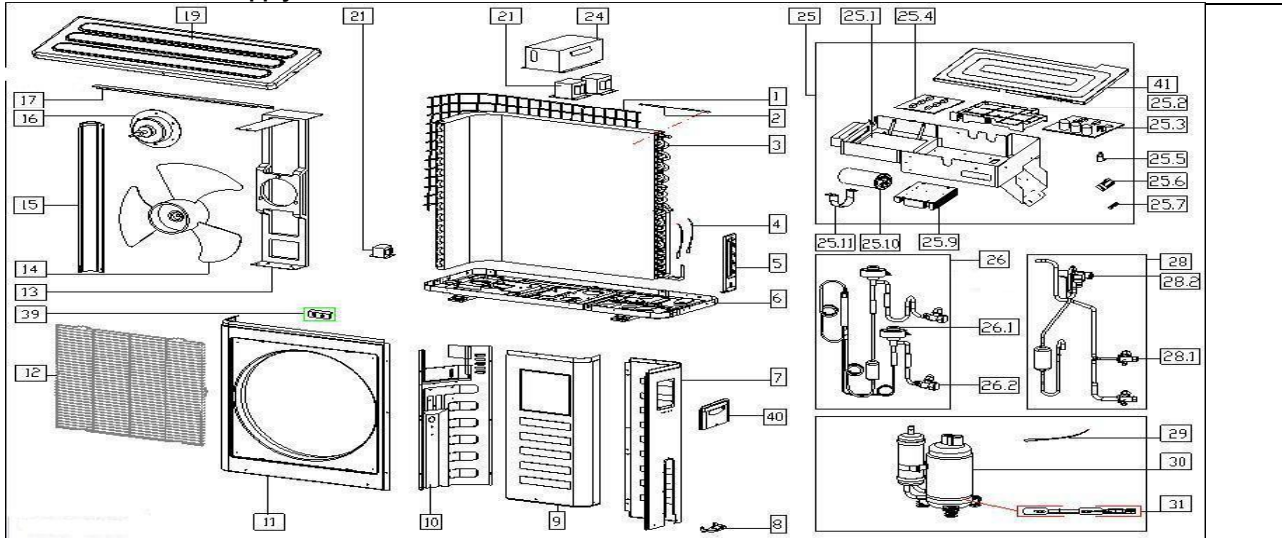
No.	Part Name	Quantity	BOM Code	Bin Code	Remark
1	Ambient temperature sensor assembly	1	202301310075	4	
2	Rear net	1	201248100375	19	
3	Condenser assembly	1	201557090037	492	
3.1	Input pipe assembly	1	201657190450	54	
3.2	Condenser	1	201537890031	402	
3.3	Output pipe	1	201657190406	3	
4	Pipe temperature sensor assembly	1	202440500004	5	
4	Pipe temperature sensor assembly	1	202301300423	7	
5	Valve plate	1	201257190109	23	
6	Chassis assembly	1	201257090054	96	
7	Rear right clapboard assembly	1	201257190094	48	
8	Big handle	1	201257190112	9	
9	Water collector	1	201157190013	13	
10	Front right clapboard assembly	1	201248100389	44	
11	Front panel	1	201248100356	57	
12	Air outlet grille	1	201237890112	30	
13	Axial flow fan	1	201100300553	55	
14	Brushless DC Motor	1	202400300535	417	
15	Supporter assembly of fan motor	1	201257090067	55	
16	Rear supporter	1	201248100384	4	
17	Top cover assembly	1	201257190097	51	
18	Left supporter	1	201248100364	24	
19	Partition board assembly	1	201257190118	44	
20	Electronic control box assembly	1	203357090065	1032	
20.1	Cover of electronic control box	1	201157190011	25	
20.2	Outdoor main control board assembly	1	201357090067	300	
20.3	Inverter control board assembly	1	201357190108	667	
20.4	Installation plate of electric parts	1	201157190010	58	
20.5	Radiator	1	202301901173	80	
21	Terminal board assembly	1	203357090064	76	
21.1	Wire joint	1	202301450157	19	
21.2	Terminal board	1	201257190117	6	
22	Liquid valve assembly	1	201657090307	371	
22.1	Liquid valve	2	201600740097	16	
22.2	Electronic expansion valve assembly	2	201601300554	128	
23	4-ways valve assembly	1	201657090312	266	
23.1	Gas valve	2	201600720091	29	
23.2	4-ways valve	1	201600690011	100	
24	Compressor	1	201400600540	1391	
25	Crankcase electric heater	1	202403100500	23	
26	Discharge temperature sensor assembly	1	202448200000	11	
27	Cover of inductance	1	201248090001	12	
28	Reactor	1	202301000943	108	
29	Copper nut	2	201600320000	3	
31	Clamp of front net	8	201135110801	0	

Sale model : YN027GMFI16M3D-V1

ProdCode : 220057100250

Power Supply : 208-230V~ 60Hz 1Phase

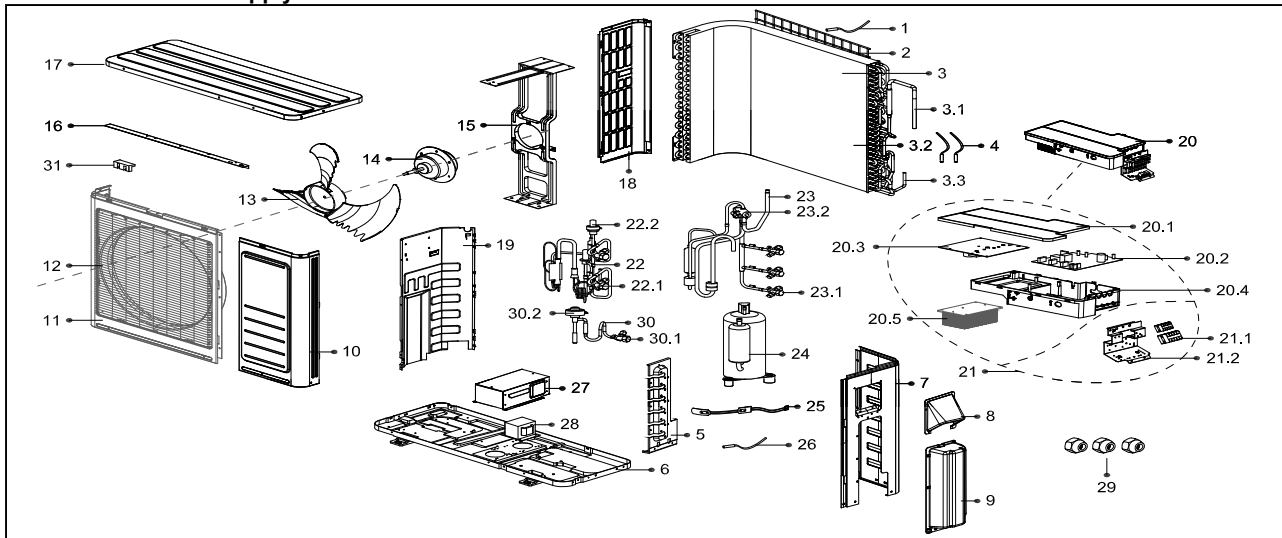
Serials: PRE 50130047



No.	Part Name	Quantity	BOM code	Bin Code	Remark
1	Rear net	1	2011481G0001	8	
2	Ambient temperature sensor assembly	1	202301310075	4	
3	Condenser assembly	1	201557190030	612	
4	Pipe temperature sensor assembly	1	202440500004	4	
4	Pipe temperature sensor assembly	1	202301300422	7	
5	Valve plate	1	201257190109	21	
6	Chassis assembly	1	201257090054	94	
7	Rear right clapboard assembly	1	201257190094	48	
8	Water collector	1	201137300183	2	
9	Front right clapboard assembly	1	201248100389	44	
10	Partition board assembly	1	201257190026	34	
11	Front panel	1	201248100359	52	
12	Air outlet grille	1	201237890112	27	
13	Supporter assembly of fan motor	1	2012481G0038	42	
14	Axial flow fan	1	201145500002	55	
15	Left supporter	1	201248100367	10	
16	Asynchronous motor	1	202400400955	262	
17	Rear net frame	1	201248100384	6	
19	Top cover assembly	1	201257190097	50	
21	Reactance	1	202301000818	233	
21	Reactance	1	202301000832	237	
21	Reactance	1	202301000814	119	
24	Cover of inductance	1	201248090001	12	
25	Electronic control box assembly	1	203357190029	929	
25.1	Electronic control box	1	201257190050	34	
25.2	Installation plate of PCB	1	201157390005	12	
25.3	Main control board assembly	1	201357190030	432	
25.4	Inverter control board assembly	1	201357190062	407	
25.5	Fan motor capacitor	1	202401100353	6	
25.6	Wire joint	2	202301450156	13	
25.7	Insulation plate	1	201157390004	2	
25.9	Radiator	1	202301990006	67	
25.10	Capacitor of compressor	1	202401000612	25	
25.11	Capacitor clip	1	201200100026	2	
26	Liquid valve assembly	1	201657190409	403	
26.1	Electronic expansion valve assembly	3	201601300554	124	
26.2	Liquid valve	3	201600740097	19	
28	4-way valve assembly	1	201657190224	329	
28.1	Gas valve	3	201600720091	35	
28.2	4-Ways valve	1	201600690011	108	
29	Discharge temperature sensor assembly	1	202448200000	11	
30	Compressor	1	201400600530	1676	
31	Crankcase electric heater	1	202403100500	23	
39	Clamp of front net	8	201135110801	2	
40	Big Handle	1	201257190112	8	
41	Cover of electronic control box	1	201257090037	10	

**Sale Model:** YN027GMFI16M3D-V2  
**Product Code:** 220057100510  
**Power Supply:** 208-230V~ 60Hz 1Phase

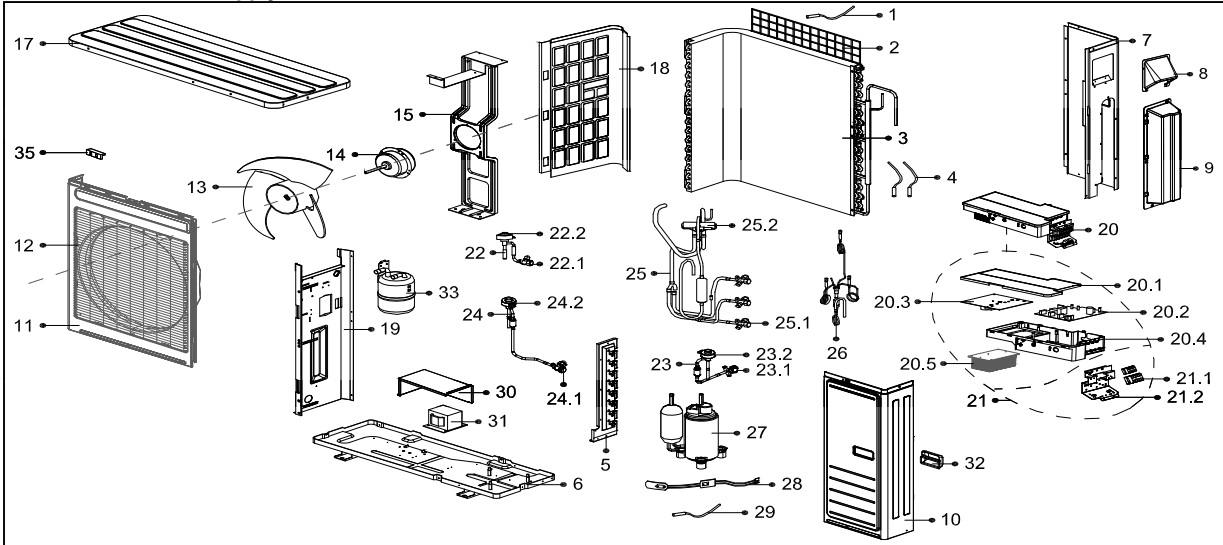
**Serials:** 50130047-0070 and Newer



No.	Part Name	Quantity	BOM Code	Bin Code	Remark
1	Ambient temperature sensor assembly	1	202301310075	4	
2	Rear net	1	201248100375	19	
3	Condenser assembly	1	201537891070	829	
3.1	Input pipe assembly	1	201638090955	64	
3.2	Condenser	1	201537890069	727	
3.3	Output pipe	1	201638090954	3	
4	Pipe temperature sensor assembly	1	202440500004	5	
4	Pipe temperature sensor assembly	1	202301300422	7	
5	Valve plate	1	201257190109	23	
6	Chassis assembly	1	201257090054	96	
7	Rear right clapboard assembly	1	201257190094	48	
8	Big handle	1	201257190112	9	
9	Water collector	1	201157190013	13	
10	Front right clapboard assembly	1	201248100389	44	
11	Front panel	1	201248100356	57	
12	Air outlet grille	1	201237890112	30	
13	Axial flow fan	1	201100320622	36	
14	Asynchronous motor	1	202400401241	226	
15	Supporter assembly of fan motor	1	2012481G0038	43	
16	Rear supporter	1	201248100384	4	
17	Top cover assembly	1	201257190097	51	
18	Left supporter	1	201248100364	24	
19	Partition board assembly	1	201257190118	44	
20	Electronic control box assembly	1	203357190088	1002	
20.1	Cover of electronic control box	1	201157190011	25	
20.2	Outdoor main control board assembly	1	201357190087	258	
20.3	Inverter control board assembly	1	201357190108	667	
20.4	Installation plate of electric parts	1	201157190010	58	
20.5	Radiator	1	202301901173	80	
21	Terminal board assembly	1	203357190089	93	
21.1	Wire joint	2	202301450156	13	
21.2	Terminal board	1	201257190117	6	
22	Liquid valve assembly	1	201657190427	375	
22.1	Liquid valve	2	201600740097	16	
22.2	Electronic expansion valve assembly	2	201601300554	128	
23	4-ways valve assembly	1	201657190425	303	
23.1	Gas valve	3	201600720091	29	
23.2	4-ways valve	1	201600690011	100	
24	Compressor	1	201400600530	1317	
25	Crankcase electric heater	1	202403100500	23	
26	Discharge temperature sensor assembly	1	202448200000	11	
27	Cover of inductance	1	201248090001	12	
28	Reactor	1	202301000943	108	
29	Copper nut	3	201600320000	3	
30	Liquid valve assembly	1	201657190422	158	
30.1	Liquid valve	1	201600740097	16	
30.2	Electronic expansion valve assembly	1	201601300554	128	
31	Clamp of front net	8	201135110801	0	

**Sale Model:** YN030GMFI16M3D  
**Product Code:** 220057100580  
**Power Supply:** 208-230V~ 60Hz 1Phase

**Serials:** All

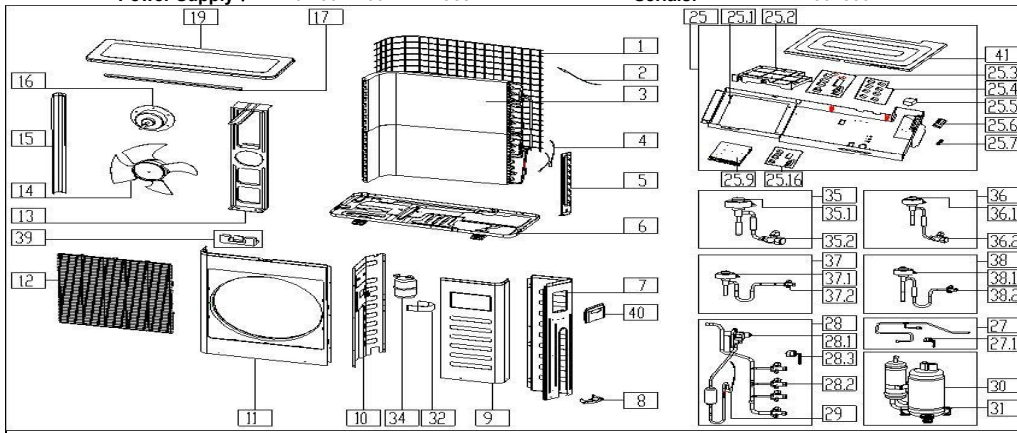


No.	Part Name	Quantity	BOM Code	Bin Code	Remark
1	Ambient temperature sensor assembly	1	202301310075	4	
2	Rear net	1	201248200136	22	
3	Condenser assembly	1	201557190037	848	
4	Pipe temperature sensor assembly	1	202301300422	7	
4	Pipe temperature sensor assembly	1	202301300111	5	
5	Valve plate	1	201257190111	20	
6	Chassis assembly	1	201257190085	113	
7	Rear right clapboard assembly	1	201257190095	59	
8	Big handle	1	201257190121	9	
9	Water collector	1	201157190014	13	
10	Front right clapboard assembly	1	201248200082	73	
11	Front panel	1	201248200132	95	
12	Air outlet grille	1	201238090068	31	
13	Axial flow fan	1	201100300527	62	
14	Brushless DC Motor	1	202400300047	437	
15	Supporter assembly of fan motor	1	201257190071	69	
17	Top cover assembly	1	201248300309	58	
18	Left supporter	1	201248400034	40	
19	Partition board assembly	1	201257190115	47	
20	Electronic control box assembly	1	203357190098	1039	
20.1	Cover of electronic control box	1	201157190011	25	
20.2	Outdoor main control board assembly	1	201357190102	308	
20.3	Inverter control board assembly	1	201357190085	667	
20.4	Electronic installing box	1	201157190010	58	
20.5	Radiator	1	202301901173	80	
21	Terminal board assembly	1	203357190099	92	
21.1	Wire joint	2	202301450156	13	
21.2	Terminal board	1	201257190120	5	
22	Liquid valve assembly	1	201657190352	158	
22.1	Liquid valve	1	201600740091	18	
22.2	Electronic expansion valve assembly	1	201601300554	128	
23	Liquid valve assembly	1	201657390002	156	
23.1	Liquid valve	1	201600740091	18	
23.2	Electronic expansion valve assembly	1	201601300554	128	
24	Liquid valve assembly	1	201657390000	159	
24.1	Liquid valve	1	201600740091	18	
24.2	Electronic expansion valve assembly	1	201601300554	128	
25	4-ways valve assembly	1	201657190430	343	
25.1	Gas valve	3	201600720091	29	
25.2	4-ways valve	1	201600600119	101	
26	Capillary assembly	1	201657190429	62	
27	Compressor	1	201400601740	1312	
28	Crankcase electric heater	1	202403101715	26	
29	Discharge temperature sensor assembly	1	202448200000	11	
30	Cover of inductance	1	201248390003	10	
31	Reactor	1	202301000943	108	
32	Handle	2	201148700009	1	
33	Accumulator cylinder	1	201601000620	118	
35	Clamp of front net	8	201135110801	0	



Sale model : YN036GMFI16M4D-V1  
 ProdCode : 220057100261  
 Power Supply : 220-230V~ 60Hz 1Phase

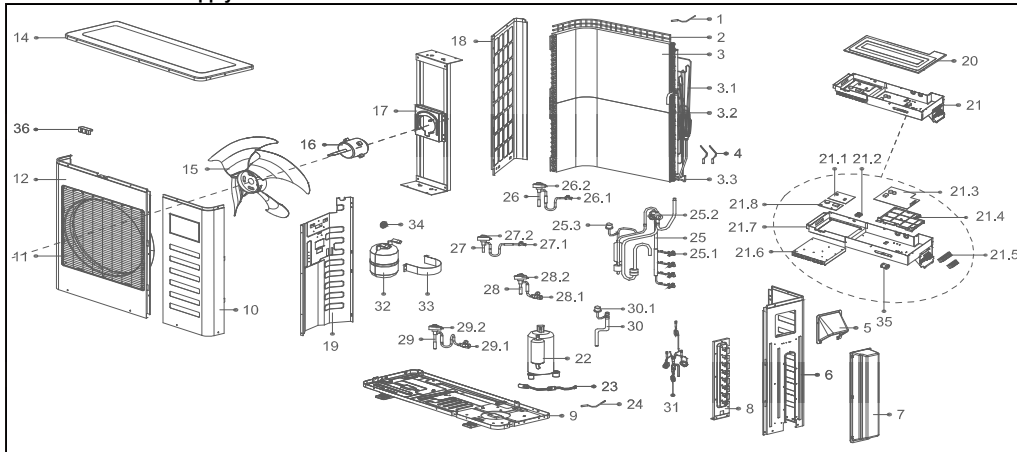
Serials: PRE 50130047



No.	Part Name	Quantity	BOM code	Bin Code	Remark
1	Rear net	1	2011487G0001	10	
2	Ambient temperature sensor assembly	1	202301310075	4	
3	Condenser assembly	1	201557190043	1133	
4	Pipe temperature sensor assembly	1	202301300111	6	
4	Pipe temperature sensor assembly	1	202301300421	8	
5	Valve plate	1	201257190105	23	
6	Chassis assembly	1	201275590093	136	
7	Rear right clapboard assembly	1	201257190090	82	
8	Water collector	1	201137300183	2	
9	Front right clapboard assembly	1	201248700056	65	
10	Partition board assembly	1	201257290010	59	
11	Front panel	1	201248700270	122	
12	Air outlet grille	1	201248700055	33	
13	Supporter assembly of fan motor	1	201275590200	57	
14	Axial flow fan	1	201100300145	74	
15	Left supporter	1	201248700262	13	
16	Asynchronous motor	1	202400400956	377	
17	Rear net frame	1	2012487G0011	6	
19	Top cover assembly	1	201257190096	71	
25	Electronic control box assembly	1	203357190059	1709	
25.1	Electronic control box	1	201257190055	67	
25.2	Installation plate of PCB	1	201157390005	12	
25.3	Main control board assembly	1	201357190065	442	
25.4	Inverter control board assembly	1	201357190031	407	
25.5	Fan motor capacitor	1	202401190046	12	
25.6	Wire joint	1	202301450157	21	
25.6	Wire joint	1	202301450156	13	
25.7	Insulation plate	1	201137300185	2	
25.9	Radiator	1	202301901085	126	
25.16	PFC module assembly	1	201319901145	585	
27	Suction pipe assembly	1	201657190421	68	
27.1	Pressure switch	1	202301820021	25	
28	4-way valve assembly	1	201657290028	457	
28.1	4-Ways valve	1	201600600124	233	
28.2	Gas valve	4	201600720091	35	
28.3	Pressure switch	1	202301820042	29	
29	Discharge temperature sensor assembly	1	202448200000	11	
30	Compressor	1	201401500220	2867	
31	Crankcase electric heater	1	202301940004	25	
32	Fix clamp of segregator	1	201245000901	4	
34	Accumulator cylinder	1	201601000074	119	
35	liquid valve assembly A	1	201657290018	153	
35.1	Electronic expansion valve assembly	1	201601300554	124	
35.2	Liquid valve	1	201600740091	19	
36	Liquid valve assembly B	1	201657290020	153	
36.1	Electronic expansion valve assembly	1	201601300554	124	
36.2	Liquid valve	1	201600740091	19	
37	Liquid valve assembly C	1	201657290021	157	
37.1	Electronic expansion valve assembly	1	201601300554	124	
37.2	Liquid valve	1	201600740091	19	
38	Liquid valve assembly D	1	201657290023	157	
38.1	Electronic expansion valve assembly	1	201601300554	124	
38.2	Liquid valve	1	201600740091	19	
39	Clamp of front net	10	201135110801	2	
40	Big Handle	1	201257190112	8	
41	Cover of electronic control box	1	201257190052	17	

**Sale Model:** YN036GMFI16M4D-V2  
**Product Code:** 220057100530  
**Power Supply:** 208-230V~ 60Hz 1Phase

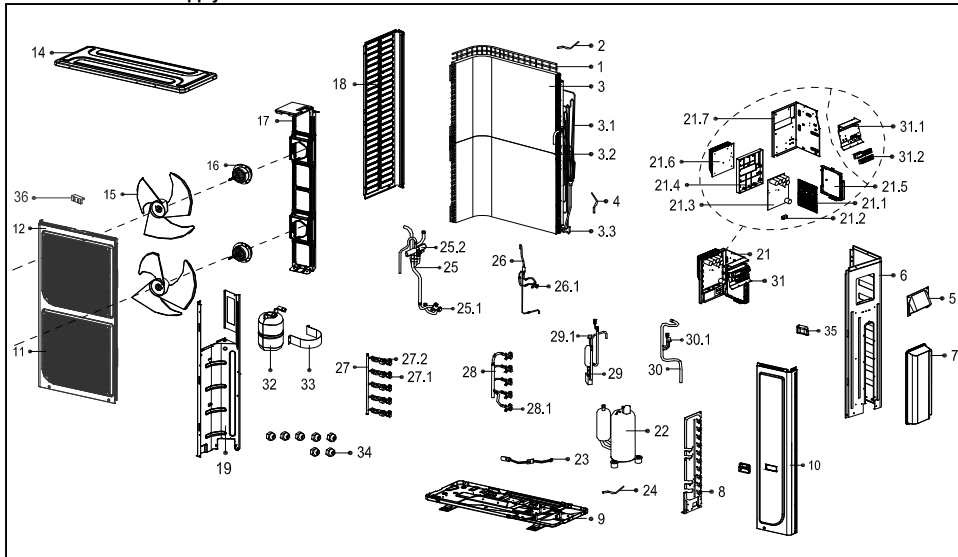
**Serials:** 50130047-0070 and Newer



No.	Part Name	Quantity	BOM Code	Bin Code	Remark
1	Rear net	1	201248700280	35	
2	Ambient temperature sensor assembly	1	202301310075	4	
3	Condenser assembly	1	201557190043	1031	
3.1	Input pipe assembly	1	201657290044	55	
3.2	Condenser	1	201557190044	465	
3.2	Condenser	1	201557190045	472	
3.3	Output pipe	1	201657290037	52	
4	Pipe temperature sensor assembly	1	202301300111	5	
4	Pipe temperature sensor assembly	1	202301300421	7	
5	Big handle	1	201257190112	9	
6	Rear right clapboard assembly	1	201257190090	84	
7	Water collector	1	201157190015	27	
8	Valve plate	1	201257190105	18	
9	Chassis assembly	1	201275590093	138	
10	Front right clapboard assembly	1	201248700056	64	
11	Air outlet grille	1	201248700055	36	
12	Front panel	1	201248700257	111	
14	Top cover assembly	1	201257190096	73	
15	Axial flow fan	1	201100320624	89	
16	Asynchronous motor	1	202400300051	760	
17	Supporter assembly of fan motor	1	201275590219	75	
18	Left supporter	1	201248700261	42	
19	Partition board assembly	1	201257290010	61	
20	Cover of electronic control box	1	201257190052	18	
21	Electronic control box assembly	1	203357190092	1532	
21.1	Inverter control board assembly	1	201357190031	495	
21.2	Rectifier bridge	1	202300500328	16	
21.3	Outdoor main control board assembly	1	201357190091	438	
21.4	Support of electronic control plate	1	201157390005	12	
21.5	Wire joint	1	202301450157	19	
21.5	Wire joint	1	202301450156	13	
21.6	Radiator	1	202301901085	116	
21.7	Electronic installing box assembly	1	201257190055	68	
21.8	Active PFC Module Subassembly	1	201319901145	463	
22	Compressor	1	201401500220	2870	
23	Crankcase electric heater	1	202403101715	25	
24	Discharge temperature sensor assembly	1	202448200000	11	
25	4-Ways valve assembly	1	201657290028	442	
25.1	Gas valve	4	201600720091	29	
25.2	4-Ways valve	1	201600600124	226	
25.3	Pressure switch	1	202301820042	29	
26	liquid valve assembly	1	201657290018	153	
26.1	Liquid valve	1	201600740091	18	
26.2	Electronic expansion valve assembly	1	201601300554	126	
27	liquid valve assembly	1	201657290020	152	
27.1	Liquid valve	1	201600740091	18	
27.2	Electronic expansion valve assembly	1	201601300554	126	
28	liquid valve assembly	1	201657290021	156	
28.1	Liquid valve	1	201600740091	18	
28.2	Electronic expansion valve assembly	1	201601300554	126	
29	liquid valve assembly	1	201657290023	156	
29.1	Liquid valve	1	201600740091	18	
29.2	Electronic expansion valve assembly	1	201601300554	126	
30	Suction pipe assembly	1	201657190421	69	
30.1	Pressure switch	1	202301820021	25	
31	Capillary assembly	1	201657290009	60	
32	Accumulator cylinder	1	201601000074	115	
33	Fix clamp of segregator	1	201245000901	3	
34	PFC Inductor	1	202301000523	173	
35	Magnetic Loop	2	202301000020	13	
36	Clamp of front net	10	201135110801	0	

Sale model : YN048GMF116M5D-V2  
 ProdCode : 22022316000210  
 Power Supply : 220-230V~ 60Hz 1Phase

Serials:



No.	Part Name	Quantity	BOM code	Bin Code	Remark
1	Rear Net	1.0	12222200001527	52	
2	Room Temperature Sensor	1.0	11201007000122	6	
3	Condenser Assembly	1.0	15823000000901	1294	
3.1	Discharge Pipe Subassembly	1.0	15123000004460	75	
3.2	Condenser	1.0	15822300000023	549	
3.2	Condenser	1.0	15822300000007	548	
3.3	Outlet Pipe for Condenser	1.0	15123000004523	3	
4	Temperature Sensor	1.0	11201007000142	29	
4	Temperature Sensor	1.0	11201007000011	7	
5	Big Handle Subassembly	1.0	12222300000039	9	
6	Rear Right Side Plate	1.0	12222200001198	69	
7	Water Collecting Cover	1.0	12122300000016	28	
8	Installing plate for valves	1.0	12222300000015	22	
9	Chassis Assembly	1.0	12222200001747	119	
10	Front Right Side Plate assembly	1.0	12222200001915	73	
11	Air outlet grille	2.0	12222200002174	71	
12	Front panel	1.0	12222200001808	140	
14	Top cover assembly	1.0	12222200001684	65	
15	Axial fan	2.0	12100105000035	48	
16	Brushless DC Motor	2.0	11002015000253	466	
17	Fan Motor Holder Subassembly	1.0	12222200001451	110	
18	Left Side Floor	1.0	12222200001891	86	
19	Separator Assembly	1.0	12222200001155	75	
21	E-Parts Box assembly	1.0	17222300000255	2574	
21.1	Outdoor Inverter Module Subassembly	1.0	17122300000521	1455	
21.2	Bridge Rectifier	1.0	11201418000002	260	
21.3	Outdoor Main Control Board Subassembly (Sticker)	1.0	17122300000434	467	
21.4	Installation Plate for Main Board 1	1.0	12122300000004	16	
21.5	Installation Plate for Main Board 2	1.0	12122300000003	12	
21.6	Radiator	1.0	11203803000300	190	
21.7	Electric Installing Box Subassembly	1.0	12222300000005	34	
22	Inverter Controlled Rotary Compressor	1.0	11103020000113	2688	
23	Crankshaft Electrical Heating Strip	1.0	17402001000003	25	
24	Discharge temperature sensor assembly	1.0	11201007000246	11	
25	Gas Valve Assembly	1.0	15422300000089	308	
25.1	Low Pressure Valve	1.0	15500204000049	61	
25.2	4-way Valve	1.0	15500216000012	183	
26	Liquid valve Assembly	1.0	15422300000064	40	
26.1	Liquid valve	1.0	15500208000047	24	
27	Liquid valve Assembly	1.0	15422300000031	592	
27.1	High-Voltage valve	5.0	15500208000028	13	
27.2	Electric expansive valve assembly	5.0	15500213000046	128	
28	Gas valve assembly	1.0	15422300000224	173	
28.1	Low Pressure Valve	3.0	15500204000021	21	
28.1	Low Pressure Valve	2.0	15500204000058	24	
29	Parts of compressor exhaust pipe	1.0	15122300000405	114	
29.1	Pressure controller	1.0	17400516000020	28	
30	Parts of compressor return pipe	1.0	15122300000433	72	
30.1	Pressure switch	1.0	17400516000008	25	
31	Terminal Block Subassembly of Electric	1.0	17222300000166	153	
31.1	Terminal Installing Plate	1.0	12222300000288	8	
31.2	Wire holder	1.0	17400401000135	14	
31.2	Wire holder	1.0	17400401000084	19	
31.2	Wire holder	1.0	17400401000082	14	
32	Accumulator cylinder	1.0	15500508000009	122	
33	Component of fixing clip of separator	1.0	12222200001566	1	
34	Copper nut	2.0	15500406000012	4	
34	Copper nut	3.0	15500406000010	3	
34	Copper nut	5.0	15500406000016	2	
35	Handle	2.0	12100702000047	1	
36	Clamp, front net	16.0	12122000006844	0	