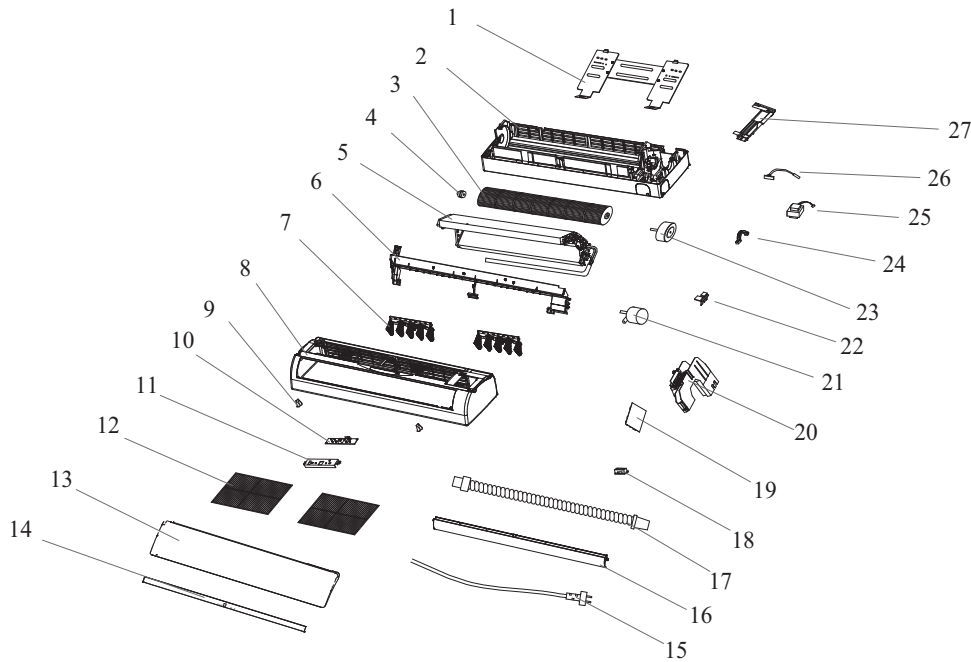


Model : WYD009AL3ZAR-L (115V)

13 SEER Wall Mount Fan Coil Unit

9000 BTU

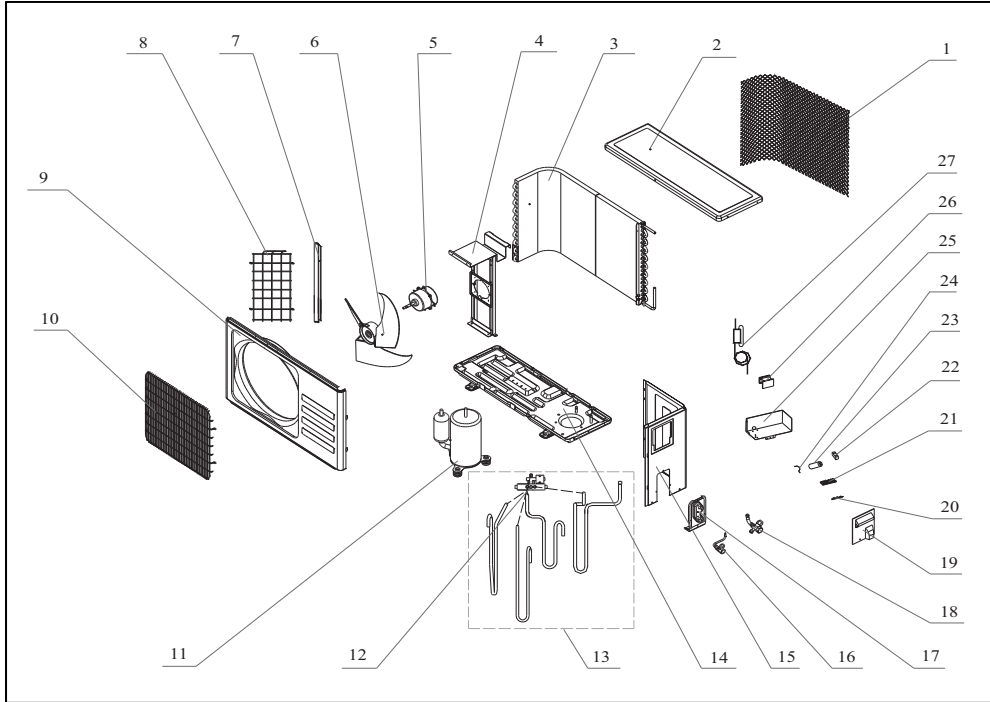


No.	Part Name	Quantity	BOM Code	Bin Cd.	Remark
1	Installation Plate	1	1080030021	10	
2	Base	1	1070350170	67	
3	Cross Flow Fan	1	1070020029	34	
4	Bearing Mount	1	1070100010	1	
5	Evaporator	1	1110050332	468	
6	Water Drainage Assembly	1	1070350028	47	
7	Vertical Vane Assembly	10	1070350175	1	
8	Face Frame	1	1070350619	37	
9	Screw Cover	2	1070350183	0	
10	Display PCB	1	1090320254	29	
11	Display PCB Box	1	1070500390	1	
12	Air Filter	2	1070190045	4	
13	Front Panel	1	1070350621	35	Option
14	Display PCB Cover	1	210702485	24	Option
15	Electrical Cord	1	1170210143	24	
16	Vane	1	1070350029	9	
17	Drainage Hose	1	1070110011	6	
18	Cable Clamp	1	1070040005	1	
19	Main PCB	1	1090320360	127	
20	Electrical Box	1	1070350179	10	
21	Vane Motor	1	1170020011	12	
22	Sensor Holder	1	1073010501	1	
23	Indoor Motor	1	1170040070	105	
24	Indoor Motor Clamp	1	1070320111	1	
25	Transformer	1	1170240004	18	
26	Indoor Sensor Assembly	1	1170230001	16	
27	Pipe Support Cover	1	1070350169	2	
28	Remote Controller	1	1090050737	50	Not shown in Exploded view
29	Remote Control Holder	1	1070060003	2	
30	Indoor Carton	1	1190540002BL	28	
31	Left Styrene Packing	1	1141990050	9	
32	Right Styrene Packing	1	1141990051	9	

Model : WYD009AL3ZAR-L (115V)

13 SEER Standard Outdoor Unit

9000 BTU

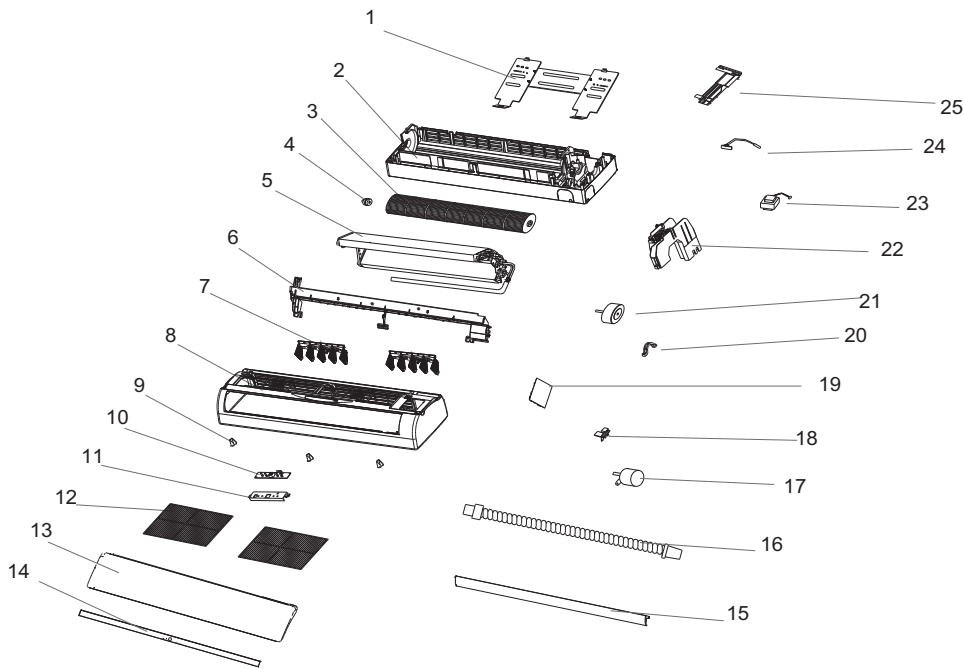


No.	Part Name	Quantity	BOM Code	Bin Cd.	Remark
1	Grille	1	1080350264	17	Optional
2	Top Cover	1	1080050045	56	
3	Condenser	1	1110061400	1260	
4	Outdoor Motor Support	1	1080050050	47	
5	Outdoor Motor	1	1170040115	453	
6	Propeller Fan	1	1070030023AA	67	
7	Left Grille Supporter	1	1080050042	12	
8	Left Grille	1	1080050046	12	Optional
9	Front Plate	1	1080050047	112	
10	Fan Guard	1	1080050048	36	
11	Compressor w/Accessories	1	1100200008	1190	
12	4-way Valve	1	1120110017	130	
13	4-way Valve Assembly	1	1120700527	325	
14	Base	1	1080110001	93	
15	Right Plate	1	1080050043	56	
16	Two-way Valve	1	1120120037	29	
17	Valve Supporter	1	1081990155	10	
18	Three-way Valve	1	1120130047	68	
19	Electrical Box Cover	1	1081990107	10	
20	Cable Clamp	1	1074060118	2	
21	Terminal	1	1170200054	8	
22	Fan Motor Capacitor	1	1170100029	11	
23	Compressor Capacitor	1	1170100007	47	
24	Capacitor Mount	1	1080010006	2	
25	Electrical Parts Box	1	1080050056	17	
26	AC Contactor	1	1174561801	42	
27	Capillary Assembly	1	1120700526	46	
28	Outdoor Coil Sensor	1	1170230005	13	
29	Outdoor Carton	1	1190322740	42	
30	Top Styrene Packing	1	1191990120	23	Not show in the exploded View

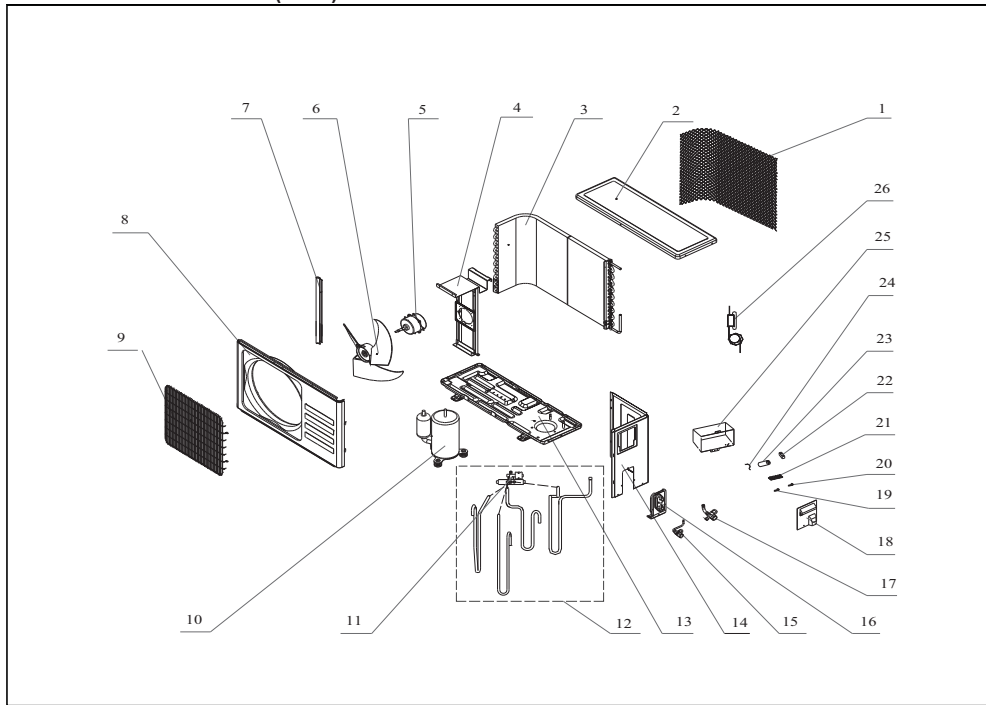
Model : WYD012AL3JAR-L (115V)

13 SEER Wall Mount Fan Coil Unit

12000 BTU



No.	Part Name	Quantity	BOM Code	Bin Cd.	Remark
1	Installation Plate	1	1080030021	10	
2	Base	1	1070350872	86	
3	Cross Fan	1	1070020024AA	44	
4	Bearing Mount	1	1070100010	1	
5	Evaporator	1	1110050906	421	
6	Water Drainage Assembly	1	1070350892	53	
7	Vertical Vane Assembly	12	1070350141	0	
8	Face Frame	1	1070500250	62	
9	Screw Cover	3	1070350135	0	
10	Display PCB	1	1090320254AA	30	
11	Display PCB Box	1	1070500390	1	
12	Left Air Filter	1	1070310003	7	
	Right Air Filter	1	1070310004	7	
13	Front Panel	1	1070450141	67	
14	Display PCB cover	1	210702094	34	
15	Vane	1	1070350140	15	
16	Drainage Hose	1	1070110011	6	
17	Vane Motor	1	1170020041	11	
18	Sensor Holder	1	1073010501	0	
19	Main PCB	1	1090320360	130	
20	Indoor Motor Cover	1	1070350152	2	
21	Indoor Motor	1	1170040070	104	
22	Electrical Box	1	1070451353	18	
23	Transformer	1	1170240024AA	18	
24	Indoor Sensor Assembly	1	1170230001	17	
25	In And Out Pipe Fixer	1	1070350245	2	
26	Remote Controller	1	1090050737	50	Not shown in Exploded view
27	Remote Control Holder	1	1070060003	1	
28	Indoor Carton	1	1190470001MJ	35	
29	Left Styrene Packing	1	1190060054	7	
30	Right Styrene Packing	1	1190060055	7	
31	Middle Cardboard Suppot	1	211310757	8	

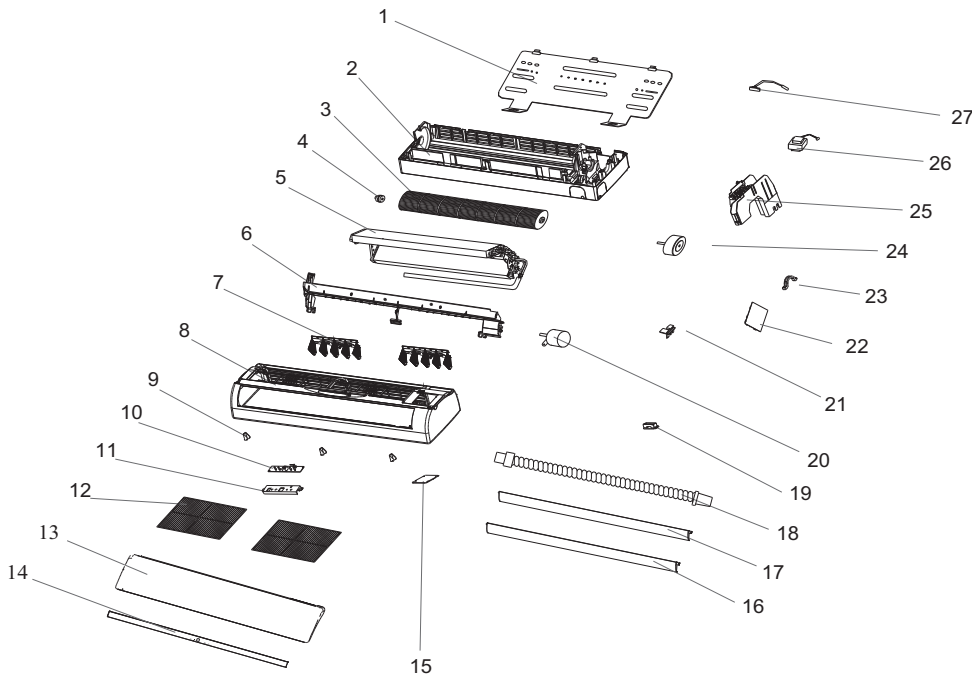


No.	Part Name	Quantity	BOM Code	Bin Cd.	Remark
1	Grille	1	1080050026	8	Optional
2	Top Cover	1	1081990038	34	
3	Condenser	1	1110060867	471	
4	Outdoor Motor Supporter	1	1080050004	20	
5	Outdoor Motor	1	1170040072	145	
6	Propeller Fan	1	1070030050AA	24	
7	Left Grille Supporter	1	1080050001	7	
8	Front Plate	1	1080050009	62	
9	Fan Guard	1	1080320112	17	
10	Compressor w/Accessories	1	1100030067	890	
11	4 way valve	1	1120251697	98	
12	4 way valve assembly	1	1120251696	268	Optional
13	Outdoor base	1	210800433	61	
14	Right Plate	1	1080050002	24	
15	Two-way Valve	1	1120120021	23	
16	Valve Supporter	1	1080050003	6	
17	Three-way Valve	1	1120130036	40	
18	Electrical Box Cover	1	1081990107	5	
19	Compressor capacitor strip	1	1080010006	1	
20	Outdoor Cable Clamp	1	1074060118	0	
21	Outdoor cable Clamp	1	1070040003	0	
22	Outdoor Terminal	1	1170200054	5	
23	Compressor Capacitor	1	1170100033	31	
24	Fan Motor Capacitor	1	1170100034	7	
25	Electrical Parts Box	1	1300350813	10	
26	Capillary Assembly	1	1120351051	30	
27	Outdoor cabinet carton	1	1190040087EP	34	Not shown in Exploded view
28	Base Carton	1	1191990181	13	
29	Base Styrene Packing	1	1150300003	17	
30	Top Styrene Packing	1	211301929	13	

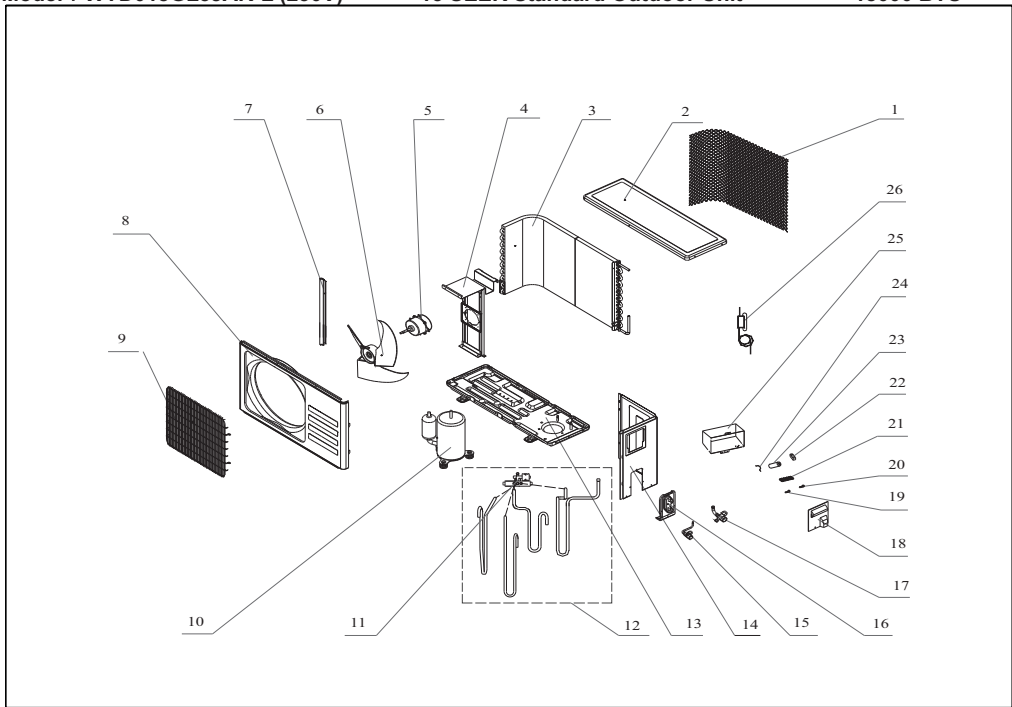
Model : WYD018GL3JAR-L (230V)

13 SEER Wall Mount Fan Coil Unit

18000 BTU



No.	Part Name	Quantity	BOM Code	Bin Cd.	Remark
1	Installation Plate	1	1080030001	40	
2	Base	1	1070701047	125	
3	Cross Fan	1	1070020014AA	49	
4	Bearing Mount	1	1070100010	1	
5	Evaporator	1	1110051066	556	
6	Water Drainage Assembly	1	1070701048	97	
7	Vertical Vane Assembly A	14	1070701050	1	
	Vertical Vane Assembly B	2	1070701051	1	
8	Face Frame	1	1070701074	79	
9	Screw Cover	3	1070701062	0	
10	Display PCB	1	1090500604	29	
11	Display PCB Box	1	1070500512	2	
12	Left Air Filter	1	1070190058	9	
	Right Air Filter	1	1070190059	9	
13	Front Panel	1	1070700321	74	
14	Display PCB Cover	1	210702476	35	
15	Electrical Box Cover	1	1070701064	3	
16	Vane A	1	1070701052	11	
17	Vane B	1	1070701053	11	
18	Drainage Hose	1	1070110011	6	
19	Cable Clamp	1	1070040003	2	
20	Vane Motor	2	1170020041	12	
21	Sensor Holder	1	1073010501	0	
22	Main PCB	1	1090700426	130	
23	Indoor Motor Cover	1	1073090120	1	
24	Indoor Motor	1	1170030054	177	
25	Electrical Box	1	1070701063	18	
26	Transformer	1	1173090107	18	
27	Indoor Sensor Assembly	1	1170230001	17	
28	Remote Controller	1	1090050737	50	
29	Remote Control Holder	1	1070060003	2	
30	Indoor Carton	1	1190322314	36	
31	Left Styrene Packing	1	1150700001	7	Not shown in Exploded view
32	Right Styrene Packing	1	1150700002	7	
33	Middle cardboard Support	1	1190060002	9	
34	Middle Styrene Packing	1	1190060021	3	

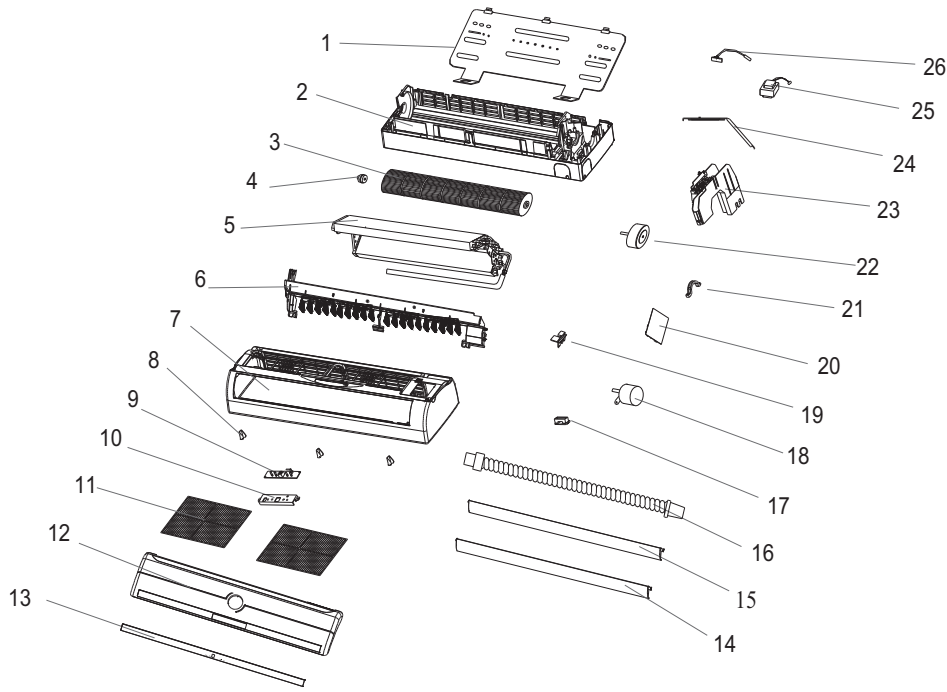


No.	Part Name	Quantity	BOM Code	Bin Cd.	Remark
1	Grille	1	1081990046	10	Optional
2	Top Cover	1	1081990038	49	
3	Condenser	1	1110061417	940	
4	Outdoor Motor Supporter	1	1081990042	37	
5	Outdoor Motor	1	1170040112	278	
6	Propeller Fan	1	1170120146AA	57	
7	Left Grille Supporter	1	1081990040	8	
8	Outdoor front Plate	1	1081990047	91	
9	Fan Guad	1	1071990045	26	
10	Compressor And It	1	1100060093	1057	
11	4 way valve	1	1120500226	111	
12	4 way valve assembly	1	1120500853	269	
13	Outdoor Base	1	1081990178	91	
14	Right Plate	1	1081990039	46	
15	Two-way Valve	1	1120120021	26	
16	Valve Supporter	1	1081990041	4	
17	Three-way Valve	1	1120130032	54	
18	Outdoor electrical Box Cover	1	1081990107	4	
19	Clamp	1	1074060118	1	
20	Outdoor Terminal	1	1170200054	7	
21	Fan Motor Capacitor	1	1170100030	4	
22	Compressor Capacitor	1	1170100026	37	
23	Compressor Capacitor Strip	1	1080010006	2	
24	AC Contactor	1	1174561801	41	
25	Outdoor lectrical Parts Box	1	1081990049	15	
26	Capillary Assembly	1	1120500852	29	
28	Cabinet Carton	1	1190322317	42	Not shown in Exploded view
29	Upper Carton	1	211310615	17	

Model : WYD024GL3JAR-L

13 SEER Wall Mount Fan Coil Unit

24000 BTU

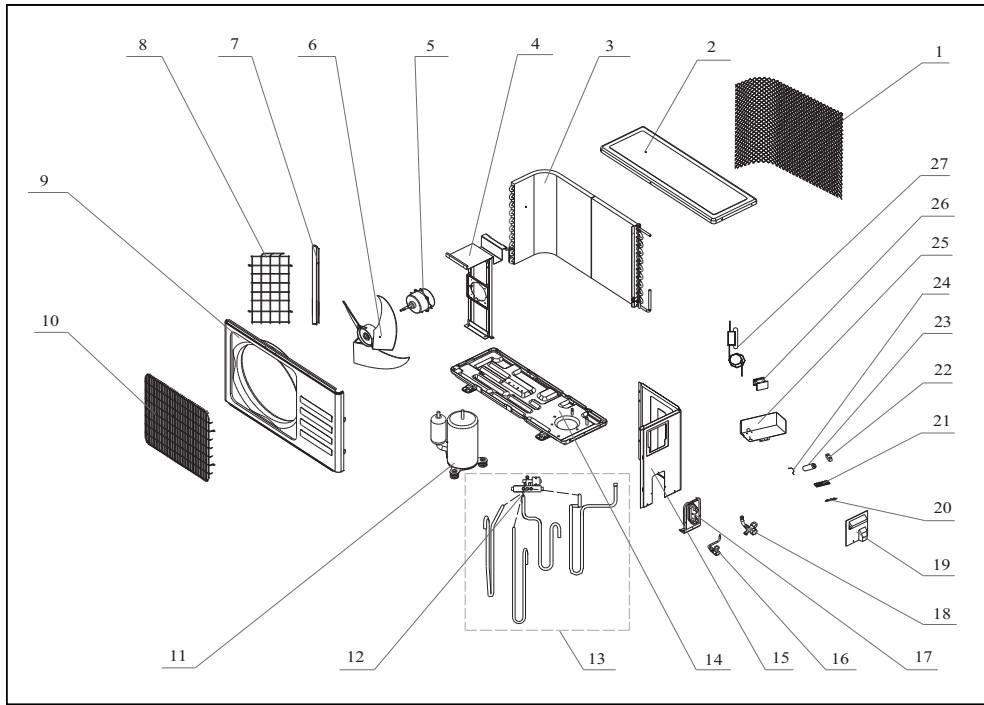


No.	Part Name	Quantity	BOM Code	Bin Cd.	Remark
1	Installation Plate	1	1080030017	48	
2	Base	1	1210850102	234	
3	Cross Fan	1	1070020021AA	74	
4	Bearing Mount	1	1070100014	1	
5	Evaporator	1	1210850109	707	
6	Air outlet Assembly	1	1210850106	129	
7	Face Frame	1	1070850150	110	
8	Screw Cover	3	1070850130	1	
9	Display PCB	1	1090500604	29	
10	Display PCB Box	1	1070500512	1	
11	Air Filter	2	1070850131	12	
12	Front Panel	1	1070850369	118	
13	Display PCB Cover	1	210702806	40	
14	Up Vane	1	1070850107	15	
15	Down Vane	1	1070850108	14	
16	Drainage Hose	1	1070110012	12	
17	Cable Clamp	1	1070850140	2	
18	Vane Motor	2	1170020023	14	
19	Sensor Holder	1	1073010501	0	
20	Main PCB	1	1090850136	130	
21	Indoor Motor Cover	1	1070850133	8	
22	Indoor Motor	1	1170040076	199	
23	Indoor Electrical Box	1	1070850137	40	
24	Electrical Box Cover	1	1070850139	10	
25	Transformer	1	1173090107	19	
26	Indoor Sensor Assembly	1	1170230001	17	
27	Remote Controller	1	1090050737	50	
28	Remote Control Holder	1	1070060003	2	
29	Indoor Carton	1	1190322316	37	
30	Base Styrene Packing	1	1190070037	23	
31	Upper Styrene Packing	1	1190070038	37	
					Not shown in Exploded view

Model : WYD024GL3JAR-L

13 SEER Standard Outdoor Unit

24000 BTU



No.	Part Name	Quantity	BOM Code	Bin Cd.	Remark
1	Grille	1	1080350264	17	Optional
2	Top Cover	1	1080050045	56	
3	Condenser	1	1110061400	1260	
4	Outdoor Motor Supporter	1	1080050050	47	
5	Outdoor Motor	1	1170040115	453	
6	Propeller Fan	1	1070030023AA	67	
7	Left Grille Supporter	1	1080050042	12	
8	Left Grille	1	1080050046	12	Optional
9	Front Plate	1	1080050047	112	
10	Fan Guard	1	1080050048	36	
11	Compressor And	1	1100200008	1190	
12	4-way Valve	1	1120110017	130	
13	4-way Valve Assembly	1	1120700527	325	
14	Base	1	1080110001	93	
15	Right Plate	1	1080050043	56	
16	Two-way Valve	1	1120120037	29	
17	Valve Supporter	1	1081990155	10	
18	Three-way Valve	1	1120130047	68	
19	Electrical Box Cover	1	1081990107	10	
20	Cable Clamp	1	1074060118	2	
21	Terminal	1	1170200054	8	
22	Fan Motor Capacitor	1	1170100029	11	
23	Compressor Capacitor	1	1170100007	47	
24	Capacitor Strip	1	1080010006	2	
25	Electrical Parts Box	1	1080050056	17	
26	AC Contactor	1	1174561801	42	
27	Capillary Assembly	1	1120700526	46	
28	Outdoor Sensor	1	1170230005	13	
29	Cabinet Carton	1	1190322740	42	
30	Cover Styrene Packing	1	1191990120	23	
					Not shown in Exploded view