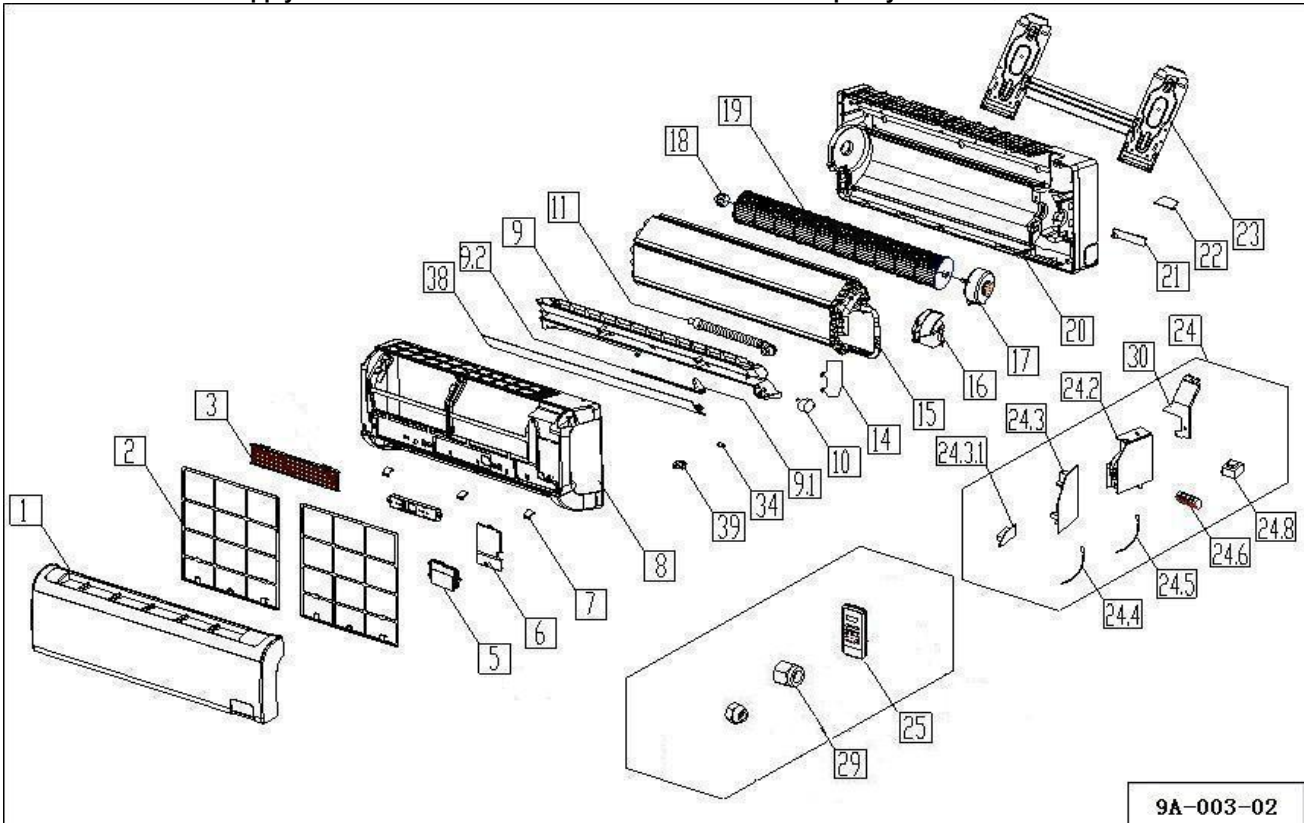


Sale model : WB009GMFI16MLD
 ProdCode : 220052001910
 Power Supply : 220-230V~ 60Hz 1Phase

Capacity: 9,000 BTU

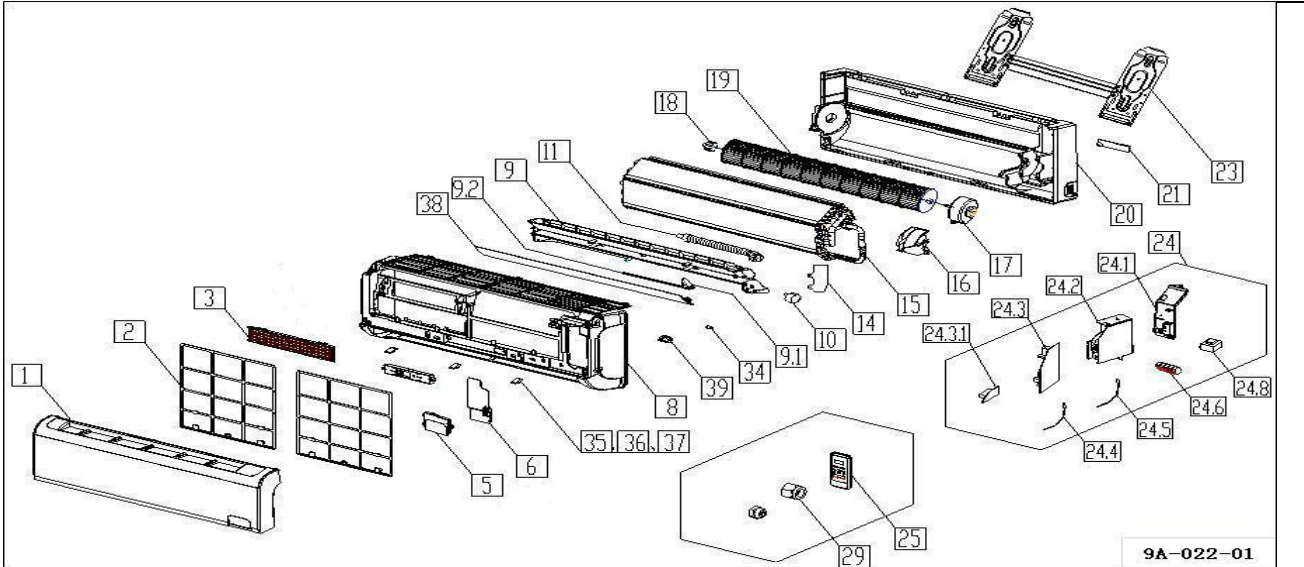


9A-003-02

No.	Part Name	Quantity	BOM code	Bin Code	Remark
1	Panel assembly	1	201132190049	23	
2	Air filter	2	201132391067	4	
3	Air cleaner	1	201131410703	2	
5	Display box assembly	1	203332390661	38	
6	Cover of indoor electronic control box	1	201132190045	2	
7	Screw cap	3	201132190143	2	
8	Panel frame assembly	1	201132190133	27	
9	Air outlet assembly	1	201132190047	25	
9.1	Vertical vane	10	201130190160	2	
9.2	Louver holder	1	201130310306	2	
9.2	Louver holder	1	201130310305	2	
10	Louver motor	1	202400200006	10	
11	Drain hose	1	201101020038	4	
14	Waterproof board	1	201130310350	2	
15	Evaporator assembly	1	201532390182	252	
16	Fan motor cover	1	201130120963	2	
17	Asynchronous motor	1	202400300137	105	
18	Bearing base	1	202730100201	2	
19	Cross flow fan	1	201100200011	30	
20	Chassis assembly	1	201132391011	52	
21	Pipe clamp board	1	201130100204	2	
22	Right cover of chassis	1	201132390920	2	
23	Installation plate	1	201230390006	8	
24	Electronic control box assembly	1	203352090185	272	
24.2	Electronic control box	1	201131590044	12	
24.3	Main control board assembly	1	201352090325	0	
24.3.1	Fan motor capacitor	1	202401200004	2	
24.4	Ambient temperature sensor assembly	1	202433190000	2	
24.5	Pipe temperature sensor assembly	1	202301300080	3	
24.6	Wire joint	1	202301420101	6	
24.8	Transformer	1	202300900095	19	
25	Remote Controller	1	203355091255	21	
29	Nut	1	201600330002	2	
29	Nut	1	201600330001	2	
30	Cover of electronic control box	1	201132390227	2	
34	insulated axis	1	201131390149	2	
38	Horizontal louver	1	201132190131	12	
39	Fix clamp of temperature sensor	1	201102000305	2	

Sale model : WB012GMFI16MLD
 ProdCode : 220052001900
 Power Supply : 220-230V~ 60Hz 1Phase

Capacity: 12,000 BTU

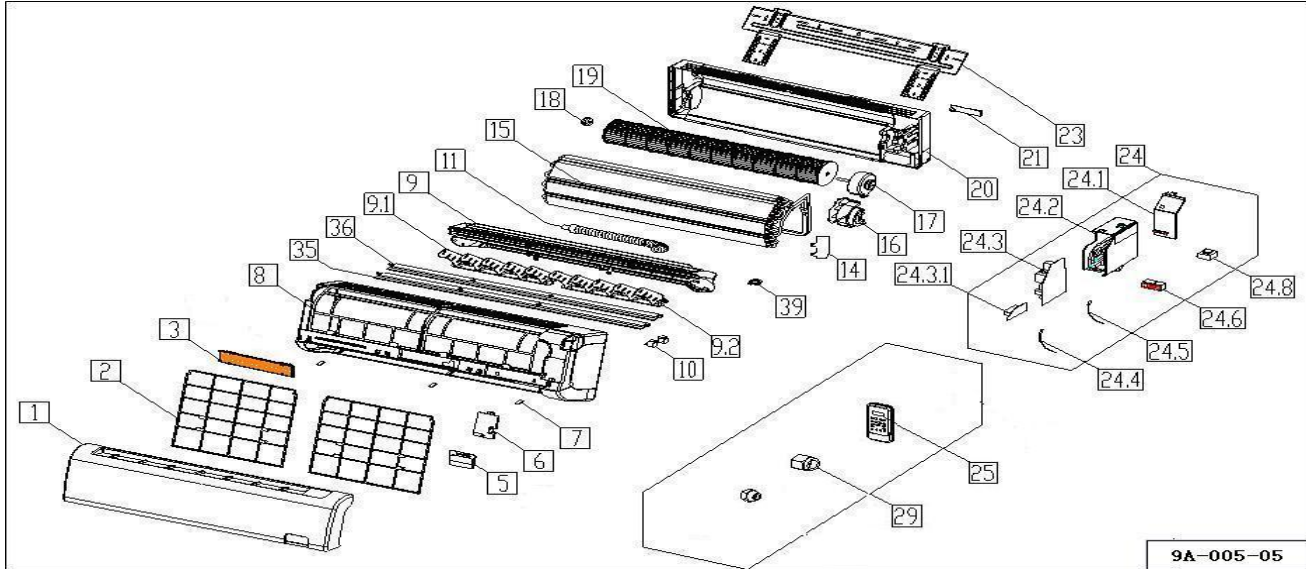


9A-022-01

No.	Part Name	Quantity	BOM code	Bin Code	Remark
1	Panel assembly	1	201132590464	31	
2	Air filter	2	201132591022	4	
3	Air cleaner	1	201131410703	2	
5	Display box assembly	1	203332390661	38	
6	Cover of indoor electronic control box	1	201132590463	2	
8	Panel frame assembly	1	201132590918	36	
9	Air outlet assembly	1	201132590862	31	
9.1	Vertical vane	10	201132590445	2	
9.2	Louver holder	2	201130410358	2	
10	Louver motor	1	202400200006	10	
11	Drain hose	1	201101020037	4	
14	Waterproof board	1	201130310350	2	
15	Evaporator assembly	1	201532590397	333	
16	Fan motor cover	1	201130490106	4	
17	Asynchronous motor	1	202400300137	105	
18	Bearing base	1	202730100201	2	
19	Cross flow fan	1	201100200039	33	
20	Chassis assembly	1	201132590919	67	
21	Pipe clamp board	1	201130100204	2	
23	Installation plate	1	201230390006	8	
24	Electronic control box assembly	1	203352090184	277	
24.1	Cover of electronic control box	1	201130490184	2	
24.2	Electronic control box	1	201130490108	13	
24.3	Main control board assembly	1	201352090317	82	
24.3.1	Fan motor capacitor	1	202401200001	2	
24.4	Ambient temperature sensor assembly	1	202433190000	2	
24.5	Pipe temperature sensor assembly	1	202301300080	3	
24.6	Wire joint	1	202301420101	6	
24.8	Transformer	1	202300900095	19	
25	Remote Controller	1	203355091255	21	
29	Nut	1	201600330003	2	
29	Nut	1	201600330001	2	
34	insulated axis	1	201131390149	2	
35	Screw cap	1	201132590923	2	
36	Screw cap	1	201132590922	2	
37	Screw cap	1	201132590921	2	
38	Horizontal louver	1	201132590920	12	
39	Fix clamp of temperature sensor	1	201102000305	2	

Sale model : WB018GMFI16MLD
 ProdCode : 220052001890
 Power Supply : 220-230V~ 60Hz 1Phase

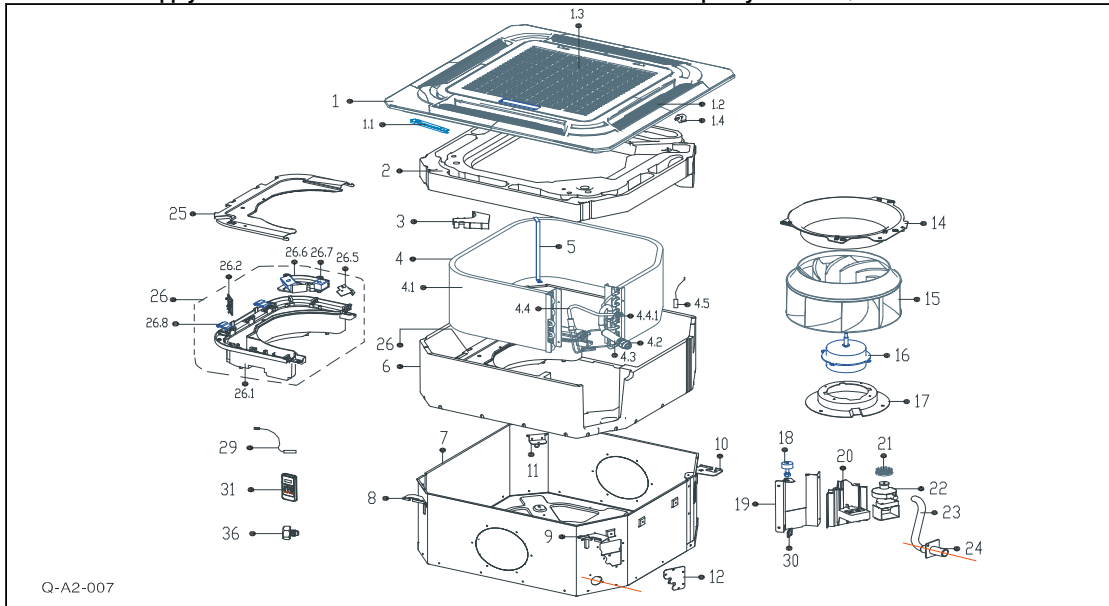
Capacity: 18,000 BTU



No.	Part Name	Quantity	BOM code	Bin Code	Remark
1	Panel assembly	1	201132890609	46	
2	Air filter	2	201132890704	6	
3	Air cleaner	1	201131410703	2	
5	Display box assembly	1	203332890292	42	
6	Cover of indoor electronic control box	1	201132890658	2	
7	Screw cap	3	201132890619	2	
8	Panel frame assembly	1	201132890616	54	
9	Air outlet assembly	1	201132890273	48	
9.1	Vertical vane	12	201130290212	2	
9.2	Louver holder	3	201130210066	2	
10	Louver motor	1	202400200120	15	
11	Drain hose	1	201101020038	4	
14	Waterproof board	1	201130310350	2	
15	Evaporator assembly	1	201532790059	484	
16	Fan motor cover	1	201132790128	4	
17	Asynchronous motor	1	202400300419	128	
18	Bearing base	1	202730100201	2	
19	Cross flow fan	1	201100200014	46	
20	Chassis assembly	1	201132790555	86	
21	Pipe clamp board	1	201232800001	2	
23	Installation plate	1	201232790012	8	
24	Electronic control box assembly	1	203352090183	307	
24.1	Cover of electronic control box	1	201132800161	2	
24.2	Electronic control box	1	201130210069	17	
24.3	Main control board assembly	1	201352090271	195	
24.3.1	Fan motor capacitor	1	202401200001	2	
24.4	Ambient temperature sensor assembly	1	202433190000	2	
24.5	Pipe temperature sensor assembly	1	202301300080	3	
24.6	Wire joint	1	202301420101	6	
24.8	Transformer	1	202300900573	34	
25	Remote Controller	1	203355091255	21	
29	Nut	1	201600330001	2	
29	Nut	1	201600330003	2	
35	Horizontal louver (above)	1	201132890617	8	
36	Horizontal louver (below)	1	201132890618	8	
39	Fix clamp of temperature sensor	1	201102000305	2	

Model Number CB012GMFI16MLD
Product Code: 220042300220
Power Supply: 208-230V~ 60Hz 1Phase

Capacity: 12,000 BTU

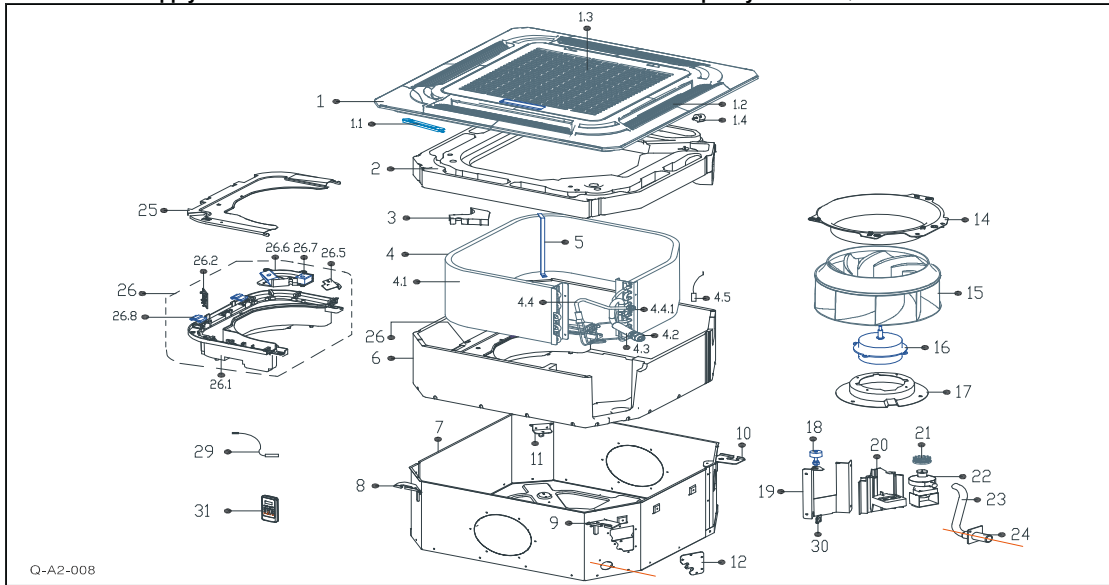


Q-A2-007

No.	Part Name	Quantity	BOM Code	Bin Code	Remark
1	Panel	1	201109991821	293	T-MBQ4-03B4
1.1	Display box assembly	1	203342090008	21	CE-KFR50Q/N2Y-A.D.1.2
1.2	Horizontal louver	4	201109991797	3	
1.3	Air filter	1	P0000453127	0	
1.4	Louver motor	1	202400280001	18	KFR-50Q/DY-A/MB.DQ-1
2	Water collector	1	202280490006	186	
3	Wire box	1	201180490047	1	
4	Evaporator assembly	1	201542390004	249	
4.1	Evaporator	1	201542390002	188	
4.2	Copper nut	1	201600320002	6	3/4"-16UNF
4.3	Output pipe assembly	1	201642390004	22	
4.4	Input pipe assembly	1	201642390006	23	
4.4.1	Copper nut	1	201600320000	3	7/16"-20UNF
4.5	Pipe temperature sensor assembly	1	202301300445	4	CGQ-GWJ-L650-SMP3B-P600
5	Evaporator hang board	1	201280490336	1	
6	Base foam assembly	1	202280490005	42	
7	Chassis assembly	1	201242390003	143	
8	Hook II	1	201280490483	2	
9	Hook I	1	201280490482	3	
10	Hook IV	1	201280490485	3	
11	Hook III	1	201280490484	2	
12	Pipe fixing board assembly	1	201142390001	2	
14	Ventilation ring	1	201142390003	17	
15	Centrifugal fan	1	201100110001	144	LX-283*166*10-9
16	Asynchronous motor	1	202400300052	458	WZDK37-38G
17	Fan motor fixing base	1	201280490338	19	
18	Water level switch	1	202301800916	16	
19	Evaporator fixing board	1	201280490337	6	
20	Drain pump installation base	1	201180490049	3	
21	Guard against block up net	1	201180490041	0	
22	Drain pump	1	202400600005	96	
23	Drain pipe	1	202742390002	15	
24	Drain connecting pipe	1	201101030002	1	
25	Cover of electronic control box	1	201280490491	14	
26	Electronic control box assembly	1	203342390099	290	
26.1	Electronic control box	1	201180490043	44	
26.2	Main control board assembly	1	201342390096	209	1-KFR32Q/BP3N1Y-A2.D.16.NK
26.5	Insulation plate	1	201280490471	1	
26.6	Installation base of terminal	1	201180490044	3	
26.7	Wire joint	1	202301420101	5	JXZ-PG4Z-A(RoHS)
26.8	Clip	3	201180490045	0	
29	Ambient temperature sensor assembly	1	202301310075	4	CGQ-SWJ-L550-SMP2-P450
30	Rubber guard bush	1	202780490007	0	
31	Remote controller	1	203355091534	49	RG05F2/BGEU1

Model Number: CB018GMFI16MLD
Product Code: 220042400990
Power Supply: 208-230V~ 60Hz 1Phase

Capacity: 18,000 BTU

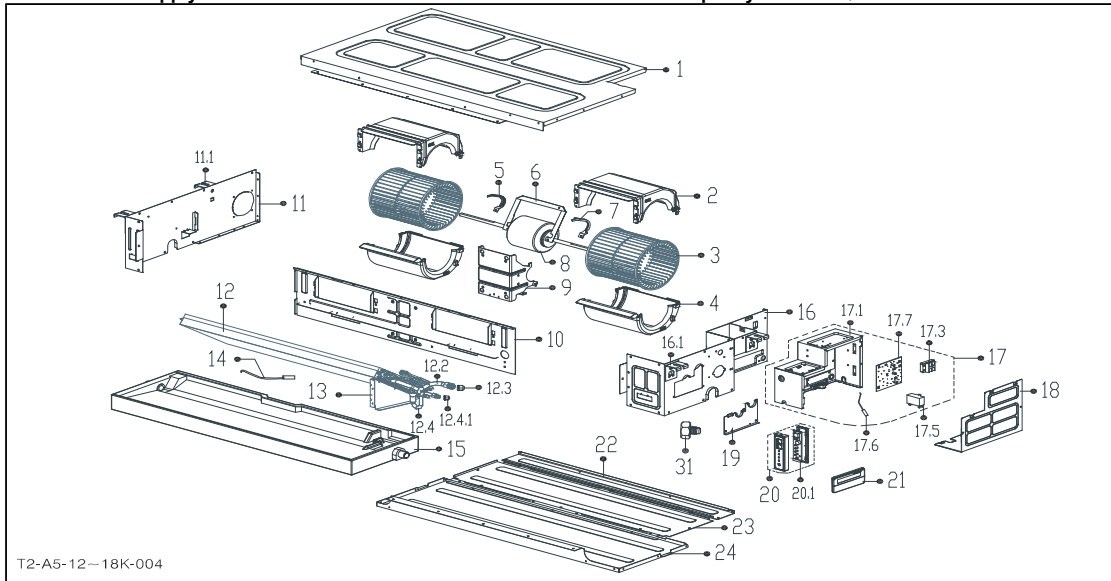


Q-A2-008

No.	Part Name	Quantity	BOM Code	Bin Code	Remark
1	Panel	1	201109991821	293	T-MBQ4-03B4
1.1	Display box assembly	1	203342090008	21	CE-KFR50Q/N2Y-A.D.1.2
1.2	Horizontal louver	4	201109991797	3	
1.3	Air filter	1	P0000453127	0	
1.4	Louver motor	1	202400280001	18	KFR-50Q/DY-A/MB.DQ-1
2	Water collector	1	202280490006	186	
3	Wire box	1	201180490047	1	
4	Evaporator assembly	1	201542490008	450	
4.1	Evaporator	1	201542490007	365	
4.2	Copper nut	1	201600320002	6	3/4"-16UNF
4.3	Output pipe assembly	1	201642490022	28	
4.4	Input pipe assembly	1	201642490024	36	
4.4.1	Copper nut	1	201600320000	3	7/16"-20UNF
4.5	Pipe temperature sensor assembly	1	202301300445	4	CGQ-GWJ-L650-SMP3B-P600
5	Evaporator hang board	1	201280490336	1	
6	Base foam assembly	1	202280490005	42	
7	Chassis assembly	1	201242390003	143	
8	Hook II	1	201280490483	2	
9	Hook I	1	201280490482	3	
10	Hook IV	1	201280490485	3	
11	Hook III	1	201280490484	2	
12	Pipe fixing board assembly	1	201142390001	2	
14	Ventilation ring	1	201142390003	17	
15	Centrifugal fan	1	201100110001	144	LX-283*166*10-9
16	Asynchronous motor	1	202400300052	458	WZDK37-38G
17	Fan motor fixing base	1	201280490338	19	
18	Water level switch	1	202301800916	16	
19	Evaporator fixing board	1	201280490337	6	
20	Drain pump installation base	1	201180490049	3	
21	Guard against block up net	1	201180490041	0	
22	Drain pump	1	202400600005	96	
23	Drain pipe	1	202742390002	15	
24	Drain connecting pipe	1	201101030002	1	
25	Cover of electronic control box	1	201280490491	14	
26	Electronic control box assembly	1	203342390099	290	
26.1	Electronic control box	1	201180490043	44	
26.2	Main control board assembly	1	201342390096	209	1-KFR32Q/BP3N1Y-A2.D.16.NK
26.5	Insulation plate	1	201280490471	1	
26.6	Installation base of terminal	1	201180490044	3	
26.7	Wire joint	1	202301420101	5	JXZ-PG4Z-A(RoHS)
26.8	Clip	3	201180490045	0	
29	Ambient temperature sensor assembly	1	202301310075	4	CGQ-SWJ-L550-SMP2-P450
30	Rubber guard bush	1	202780490007	0	
31	Remote controller	1	203355091534	49	RG05F2/BGEU1

Model Number: RB012GMFI16MLD
Product Code: 220070100250
Power Supply: 208-230V~ 60Hz 1Phase

Capacity: 12,000 BTU

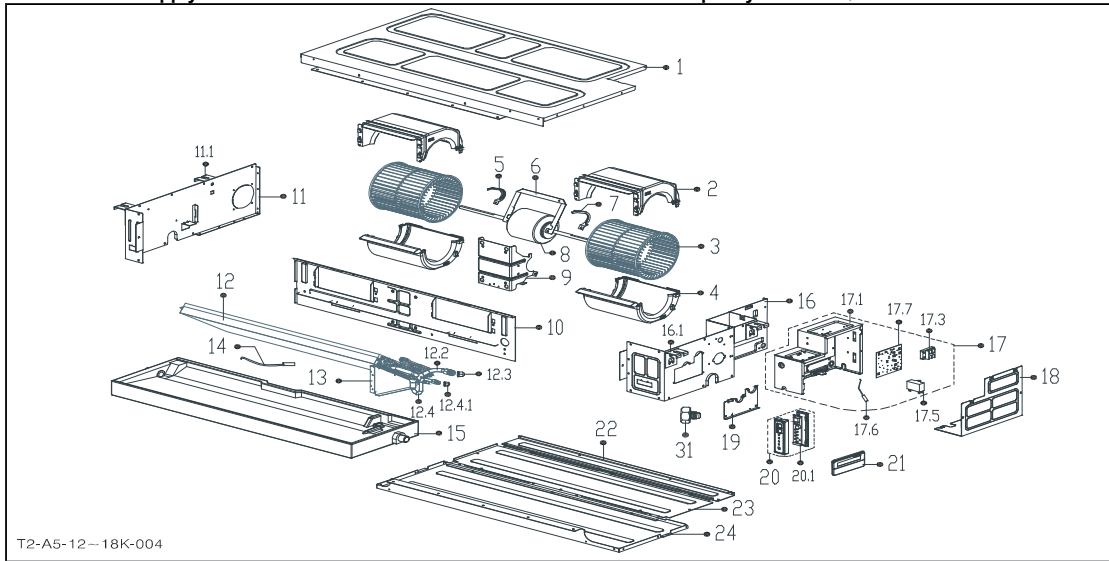


T2-A5-12--18K-004

No.	Part Name	Quantity	BOM Code	Bin Code	Remark
1	Chassis assembly	1	201285190007	64	
2	Up volute shell	2	201185190001	10	
3	Centrifugal fan	2	201100100809	27	LX-140*150*12-41J
4	Below volute shell	2	201185190002	11	
5	Fan motor axes clamp (left)	1	201280200005	2	
6	Fan motor fixing board	1	201285090016	6	
7	Fan motor axes clamp (right)	1	201280200006	2	
8	Asynchronous motor	1	202400401551	297	YSK27-4G
9	Supporter of fan motor	1	201270290028	20	
10	Middle beam assembly	1	201285190002	27	
11	Left clapboard assembly	1	201270290091	36	
11.1	Hook	2	201270890021	4	
12	Evaporator assembly	1	201570190006	323	
12.2	Output pipe assembly	1	201670190023	30	
12.3	Copper nut	1	201600320002	6	3/4"-16UNF
12.4	Input pipe assembly	1	201670190020	47	
12.4.1	Copper nut	1	201600320000	3	7/16"-20UNF
13	Evaporator right support board assembly	1	201270290034	5	
14	Pipe temperature sensor assembly	1	202440500004	5	CGQ-GWJ-L850-SMP3B-P750
15	Water collector	1	202285190003	100	
16	Right clapboard assembly	1	201270290089	44	
16.1	Hook	2	201270890021	4	
17	Electronic control box assembly	1	203370190014	331	
17.1	Electronic control box	1	201270290163	26	
17.3	Wire joint	1	202301420101	5	JXZ-PG4Z-A(RoHS)
17.5	Capacitor	1	202401190048	4	2UF/450V
17.6	Ambient temperature sensor assembly	1	202440120100	3	CGQ-SWJ-L150-SMP2-P130
17.7	Main control board assembly	1	201370290033	270	31-KFR53T2/BP2N1X-B.D.18.NI
18	Cover of electronic control box	1	201270290081	2	
19	Pipe clamp board assembly	1	201270290082	2	
20	Display box assembly	1	203370190008	31	
20.1	Display board assembly	1	201370290012	27	DE-KFR53T2/BP2N1Y-B.D.1.2.1
21	Wired controller	1	2033551A3811	105	KJR-12B/DP(T)-F
22	Rear beam	1	201285190003	11	
23	Rear cover assembly	1	201285190004	20	
24	Top cover assembly	1	201285190008	33	

Model Number: RB018GMFI16MLD
Product Code: 220070201620
Power Supply: 208-230V~ 60Hz 1Phase

Capacity: 18,000 BTU

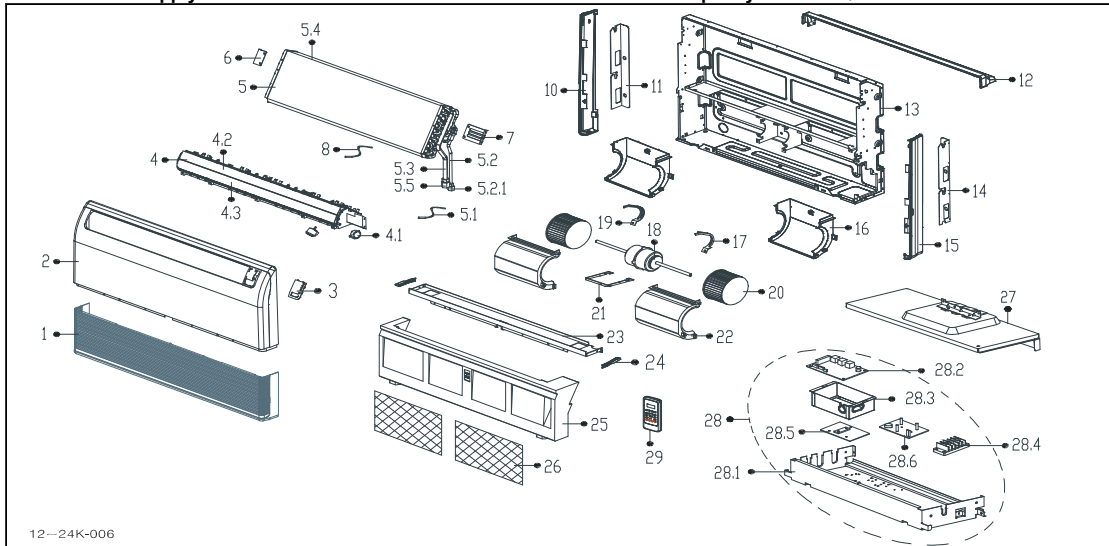


T2-A5-12--18K-004

No.	Part Name	Quantity	BOM Code	Bin Code	Remark
1	Chassis assembly	1	201270390381	96	
2	Up volute shell	2	201170290008	11	
3	Centrifugal fan	2	20118C000000	32	C023010001
4	Below volute shell	2	201170290007	11	
5	Fan motor axes clamp (left)	1	201280200005	2	
6	Fan motor fixing board	1	201244590001	3	
7	Fan motor axes clamp (right)	1	201280200006	2	
8	Asynchronous motor	1	202400401552	231	YSK68-4B
9	Supporter of fan motor	1	201270290028	20	
10	Middle beam assembly	1	201270290033	41	
11	Left clapboard assembly	1	201270290091	36	
11.1	Hook	2	201270890021	4	
12	Evaporator assembly	1	201570290030	451	
12.1	Pipe temperature sensor assembly	1	202440500004	5	CGQ-GWJ-L850-SMP3B-P750
12.2	Output pipe assembly	1	201670290067	36	
12.3	Copper nut	1	201600320002	6	3/4"-16UNF
12.4	Input pipe assembly	1	201670290133	43	
12.4.1	Copper nut	1	201600320000	3	7/16"-20UNF
13	Evaporator right support board assembly	1	201270290034	5	
15	Water collector	1	202270290004	110	
16	Right clapboard assembly	1	201270290089	44	
16.1	Hook	2	201270890021	4	
17	Electronic control box assembly	1	203370290180	333	
17.1	Electronic control box	1	201270290163	26	
17.3	Wire joint	1	202301420101	5	JXZ-PG4Z-A(RoHS)
17.5	Capacitor	1	202401100354	5	3.5UF/450V
17.6	Ambient temperature sensor assembly	1	202440120100	3	CGQ-SWJ-L150-SMP2-P130
17.7	Main control board assembly	1	201370290033	270	31-KFR53T2/BP2N1X-B.D.18.NI
18	Cover of electronic control box	1	201270290081	2	
19	Pipe clamp board assembly	1	201270290082	2	
20	Display box assembly	1	203370190008	31	
20.1	Display board assembly	1	201370290012	27	DE-KFR53T2/BP2N1Y-B.D.1.2.1
21	Wired controller	1	2033551A3811	105	KJR-12B/DP(T)-F
22	Rear beam	1	201270290086	13	
23	Rear cover assembly	1	201270290037	28	
24	Top cover assembly	1	201270290078	47	

Model Number: UB012GMFI16MLD
Product Code: 220044000210
Power Supply: 208-230V~ 60Hz 1Phase

Capacity: 12,000 BTU

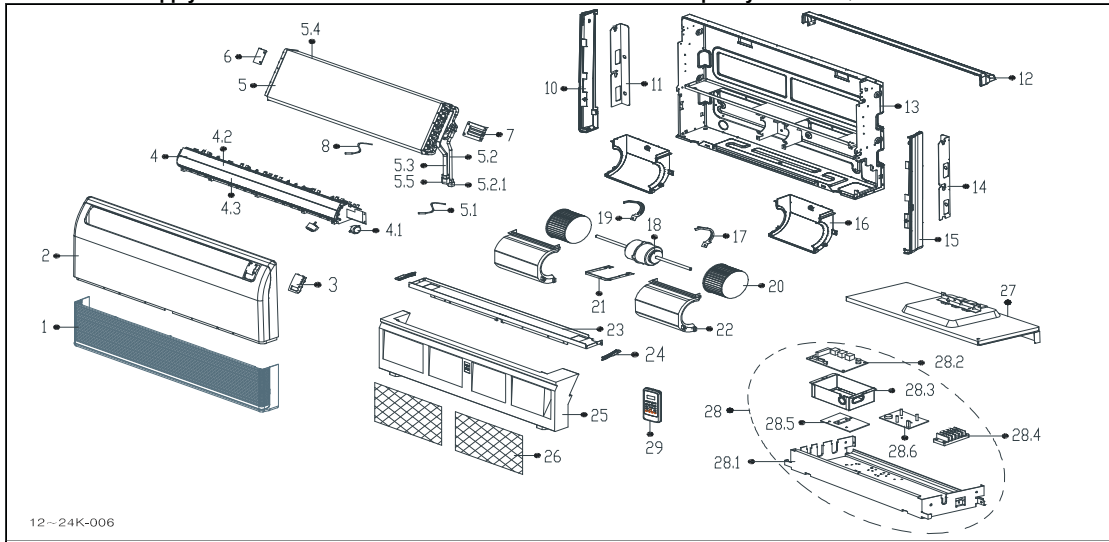


12--24K-006

No.	Part Name	Quantity	BOM Code	Bin Code	Remark
1	Air inlet grille assembly	1	201144290003	47	
2	Front panel assembly	1	201144290001	98	CE-KFR71DL/N1Y-B.8
3	Display Panel Subassembly	1	201344290037	31	
4	Air outlet assembly	1	201144290000	97	
4.1	Louver motor	1	202400200101	19	MP35EA8
4.1	Louver motor	1	202400200100	19	MP35EA9
4.2	Horizontal louver (above)	1	201144290027	6	
4.3	Horizontal louver (below)	1	201144290028	6	
5	Evaporator assembly	1	201544090012	365	
5.1	Pipe temperature sensor assembly	1	202301300111	5	:GQ-GWJ-L1300-SMP3B-P100
5.2	Input pipe assembly	1	201644090040	36	
5.2.1	Copper nut	1	201600320000	3	7/16"-20UNF
5.3	Output pipe assembly	1	201644090045	40	
5.4	Evaporator	1	201544090013	273	
5.5	Copper nut	1	201600320002	6	3/4"-16UNF
6	Evaporator Installing Plate	1	201244290003	1	
7	Evaporator Installing Plate	1	201244290004	1	
8	Ambient temperature sensor assembly	1	202301310075	4	
10	Right cover	1	201144290008	13	
11	Right installation board	1	201244290037	10	
12	Rear cover	1	201144290005	24	
13	Chassis assembly	1	201244090012	232	
14	Left installation board	1	201244290036	10	
15	Left cover	1	201144290009	13	
16	Volute shell (below)	2	201144290032	14	
17	Fan motor axes clamp (left)	1	201280200005	2	
18	Asynchronous motor	1	202400300447	320	WZDK55-38GS-W
19	Fan motor axes clamp (right)	1	201280200006	2	
20	Plastic fan	2	201144290015	30	CE-KFR71DL/N1Y-B-14
21	Fan motor fixing board	1	201252490002	3	
22	Volute shell (above)	2	201144290033	12	
23	Middle beam assembly	1	201244290034	16	
24	Grille Clip	2	201144290012	0	
25	Water collector	1	202244290012	76	
26	Air filter	2	201144290004	5	
27	Cover of electronic control box	1	201244290010	12	
28	Electronic control box assembly	1	203319900795	215	
28	Electronic control box assembly	1	203352290014	322	
28.1	Electronic control box 1	1	201244290016	20	
28.2	Main control board assembly	1	201352290014	280	1-KFR53DL/BP3TN1Y-B.D.18.N
28.3	Electronic control box 2	1	201270590340	5	
28.4	Wire joint	1	202301420101	5	JXZ-PG4Z-A(RoHS)
28.5	Radiator	1	202301900138	23	
28.6	Inverter control board assembly	1	201319903056	203	
29	Remote controller	1	203355091534	49	RG05F2/BGEU1

Model Number: UB018GMFI16MLD
Product Code: 220052200340
Power Supply: 208-230V~ 60Hz 1Phase

Capacity: 18,000 BTU

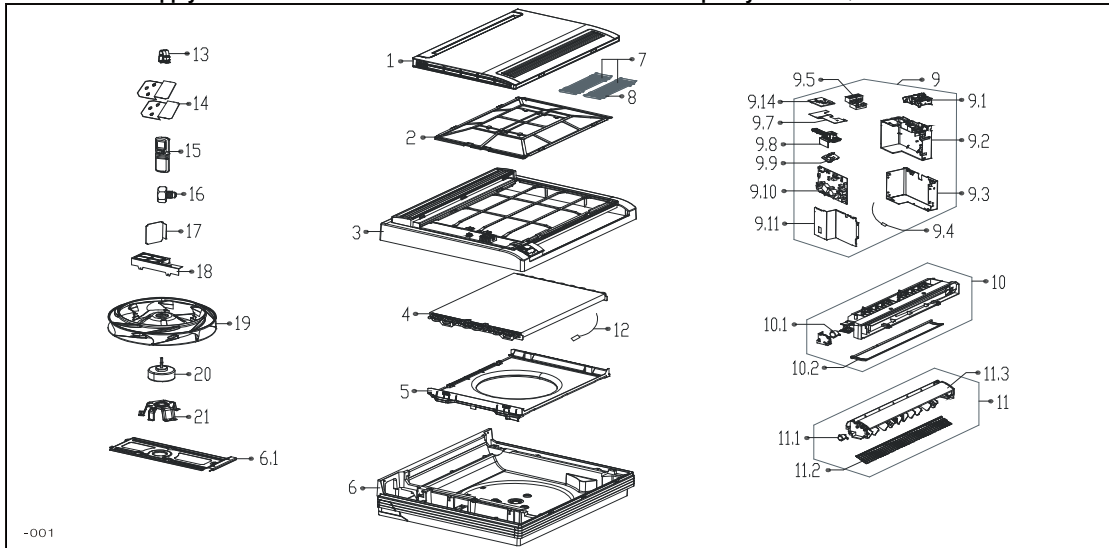


12~24K-006

No.	Part Name	Quantity	BOM Code	Bin Code	Remark
1	Air inlet grille assembly	1	201144290003	47	
2	Front panel assembly	1	201144290001	98	CE-KFR71DL/N1Y-B.8
3	Display Panel Subassembly	1	201344290037	31	
4	Air outlet assembly	1	201144290000	97	
4.1	Louver motor	1	202400200101	19	MP35EA8
4.1	Louver motor	1	202400200100	19	MP35EA9
4.2	Horizontal louver (above)	1	201144290027	6	
4.3	Horizontal louver (below)	1	201144290028	6	
5	Evaporator assembly	1	201544090012	365	
5.1	Pipe temperature sensor assembly	1	202301300111	5	:GQ-GWJ-L1300-SMP3B-P1000
5.2	Input pipe assembly	1	201644090040	36	
5.2.1	Copper nut	1	201600320000	3	7/16"-20UNF
5.3	Output pipe assembly	1	201644090045	40	
5.4	Evaporator	1	201544090013	273	
5.5	Copper nut	1	201600320002	6	3/4"-16UNF
6	Evaporator Installing Plate	1	201244290003	1	
7	Evaporator Installing Plate	1	201244290004	1	
8	Ambient temperature sensor assembly	1	202301310075	4	
10	Right cover	1	201144290008	13	
11	Right installation board	1	201244290037	10	
12	Rear cover	1	201144290005	24	
13	Chassis assembly	1	201244090012	232	
14	Left installation board	1	201244290036	10	
15	Left cover	1	201144290009	13	
16	Volute shell (below)	2	201144290032	14	
17	Fan motor axes clamp (left)	1	201280200005	2	
18	Asynchronous motor	1	202400300447	320	WZDK55-38GS-W
19	Fan motor axes clamp (right)	1	201280200006	2	
20	Plastic fan	2	201144290015	30	CE-KFR71DL/N1Y-B-14
21	Fan motor fixing board	1	201252490002	3	
22	Volute shell (above)	2	201144290033	12	
23	Middle beam assembly	1	201244290034	16	
24	Grille Clip	2	201144290012	0	
25	Water collector	1	202244290012	76	
26	Air filter	2	201144290004	5	
27	Cover of electronic control box	1	201244290010	12	
28	Electronic control box assembly	1	203319900795	215	
28	Electronic control box assembly	1	203352290014	322	
28.1	Electronic control box 1	1	201244290016	20	
28.2	Main control board assembly	1	201352290014	280	1-KFR53DL/BP3TN1Y-B.D.18.N
28.3	Electronic control box 2	1	201270590340	5	
28.4	Wire joint	1	202301420101	5	JXZ-PG4Z-A(RoHS)
28.5	Radiator	1	202301900138	23	
28.6	Inverter control board assembly	1	201319903056	203	
29	Remote controller	1	203355091534	49	RG05F2/BGEU1

Model Number: FB012GMFI16MLD
Product Code: 220044000200
Power Supply: 208-230V~ 60Hz 1Phase

Capacity: 12,000 BTU



No.	Part Name	Quantity	BOM Code	Bin Code	Remark
1	Panel assembly	1	201144090001	62	
2	Air filter	1	201144090002	30	
3	Panel frame assembly	1	201144090022	74	
4	Evaporator assembly	1	201552290013	328	
5	Ventilation assembly	1	201144090030	34	
6	Chassis assembly	1	201144090016	324	
6.1	Hang board assembly	1	201244090009	18	
7	Air cleaner	2	201131410703	1	
8	Bracket of air filter	2	201132200713	1	
9	Electronic control box assembly	1	203344090011	249	
9.1	Installation plate of electric parts I	1	201144090009	1	
9.2	Electrical control box	1	201144090010	13	
9.3	Fixing board of electronic control box II	1	201244090003	7	
9.4	Ambient temperature sensor assembly	1	202301310072	3	CGQ-SWJ-L250-SMP2-P200
9.5	Wire joint	1	202301420101	5	JXZ-PG4Z-A(RoHS)
9.7	Electronic control box seal plate	1	201244090002	1	
9.8	Installation plate of electric parts	1	201144090008	1	
9.9	Display board assembly	1	201344090004	21	
9.10	Main control board assembly	1	201344090020	155	CE-KFR32Z/BP3N1Y-D.17.NK2
9.11	Fixing board of electronic control box I	1	201244090004	4	
9.14	Auxiliary electric heater control board	1	201344090029	14	
10	Water collector	1	201144090044	71	
10.1	Louver motor	1	202400200052	13	MP20YBJ46-D
10.2	Underside louver	1	P0000281380	0	
11	Air outlet assembly	1	201144090042	46	
11.1	Louver motor	1	202400200053	13	MP24YBJ-D
11.2	Rear net	1	201244090008	4	
11.3	Up louver	1	P0000283050	0	
12	Pipe temperature sensor assembly	1	202301310085	4	CGQ-GWJ-L300-SMP3B-P250
13	Pipe clamp	1	201144090011	2	
14	Installation clamp	2	201244290015	1	
15	Remote controller	1	203355091534	49	RG05F2/BGEU1
17	Insulation washer	1	201144090005	2	
18	Cover of electronic control box	1	201244090001	3	
19	Centrifugal fan	1	201100100020	151	LX-370*80*8-7JN
20	Fan motor	1	202400300014	274	RD-280-20-8A
21	Supporter assembly of fan motor	1	201244090005	4	