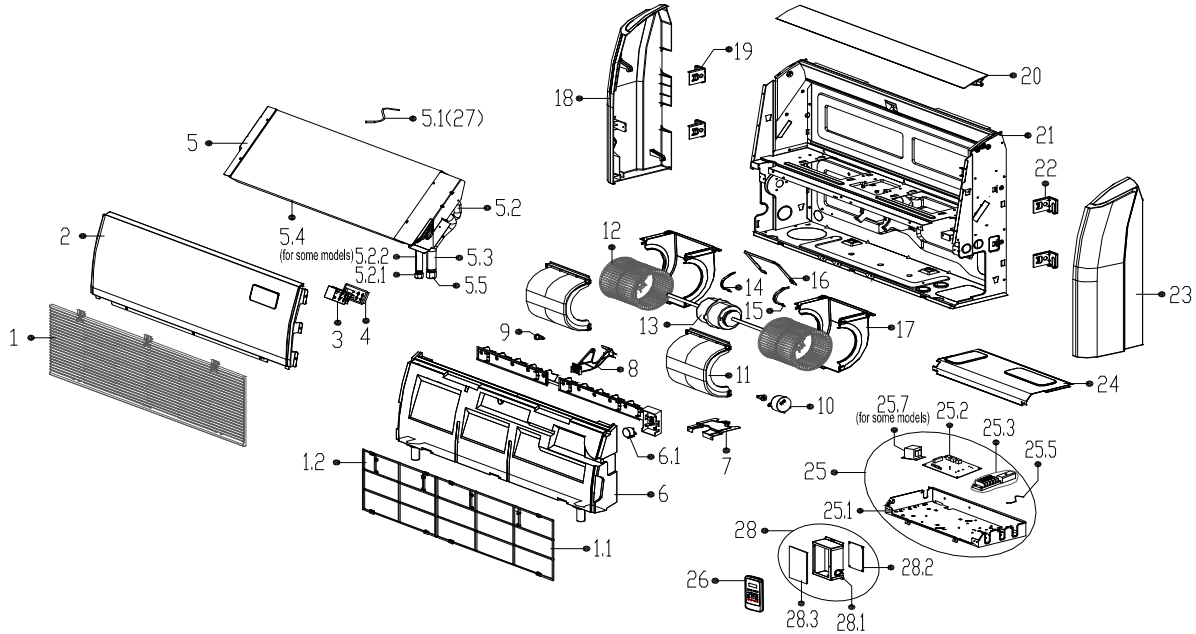


PIONEER UYB Series Heat Pump Inverter Parts Diagram (Indoor Section)

System Model: UYB018GMFILCRD
Nominal Capacity: 18000 BTU
Power Supply: 208~230 V, 1 Ph, 60Hz.

Indoor Unit Model: UB018GMFILCFHD
Indoor Code: 22022711000996

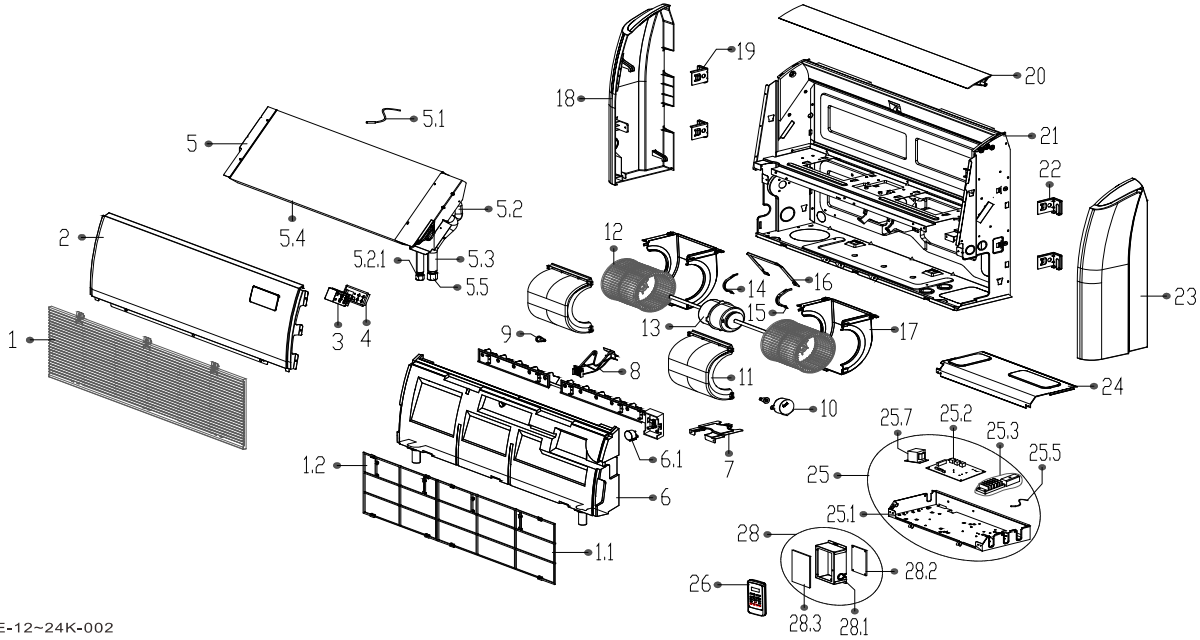


No.	Part Name	Quantity	BOM Code	BIN No.	Remark
1	Air Returning Grille Subassembly	1.0	12122700000100	24	
1.1	Air Filter	1.0	12100204000718	6	
1.2	Air Filter	1.0	12100204000719	5	
2	Top cover	1.0	12222700000096	54	
3	VLED Display Module	1.0	17122700000005	19	
4	Display panel box	1.0	12122700000044	0	
5	Evaporator assembly	1.0	15822700000557	332	
5.1	Temperature Sensor	1.0	11201007000006	5	
5.2	Input pipes of Evaporator assembly	1.0	15122700000236	36	
5.2.1	Joint board of Evaporator	1.0	15500406000016	2	
5.3	Outlet Pipes of Evaporator	1.0	15122700000202	59	
5.4	Evaporator	1.0	15822700000598	221	
5.5	Copper nut	1.0	15500406000012	4	
6	Water receiver subassembly	1.0	12822700000010	146	
6.1	Stepper motor	1.0	11002010000546	19	
7	Connecting pipe clamp	1.0	12222700000054	2	
8	Guide holder	1.0	12122700000150	1	
9	Electricity preventing axis	2.0	12122000000344	0	
10	stepper motor	1.0	11002010000057	41	
11	Upper Volute	2.0	12122700000049	11	
12	Plastic Fan Wheel	2.0	12100103000165	28	
13	Brushless DC Motor	1.0	11002015000043	286	
14	Motor clamp	1.0	12222500000255	1	
15	Motor clamp	1.0	12222500000253	1	
16	Motor Boarding	1.0	12222300000230	2	
17	Lower Scroll	2.0	12122700000113	14	
18	Cover plate (right)	1.0	12122700000087	15	
19	Installation Right Hanger	2.0	12222700000018	2	
20	Subassembly of Air Guide Strip	1.0	12122700000061	35	
21	Chassis assembly	1.0	12222700000229	225	
22	Installation Left Hanger	2.0	12222700000016	2	
23	Cover plate (left)	1.0	12122700000093	15	
24	E-Part Box Cover Subassembly	1.0	12222700000058	14	
25	E-Parts Box assembly	1.0	17222700000538	419	
25.1	Welding Parts of Electrical Control Box	1.0	12222700000083	17	
25.2	Indoor Main Control Board Subassembly (Tie-in, RoHS)	1.0	17122700000635	248	
25.3	Wire joint	1.0	17400401000020	4	
25.3	Wire holder	1.0	17400401000075	23	
25.5	Room Temperature Sensor	1.0	11201007000073	3	
25.7	Reactance	1.0	17400306000070	54	
26	Remote controller	1.0	17317000000099	45	
27	Temperature Sensor	1.0	11201007000266	7	
28	Electrical Control Box Subassembly	1.0	17222700000159	201	
28.1	Electrical Control Box	1.0	12223000000052	4	
28.2	Inverter Module Subassembly (Sticker)	1.0	171220000008562	175	
28.3	Radiator	1.0	11203803000154	20	

PIONEER UYB Series Heat Pump Inverter Parts Diagram (Indoor Section)

System Model: UYB024GMFILCRD
Nominal Capacity: 24000 BTU
Power Supply: 208~230 V, 1 Ph, 60Hz.

Indoor Unit Model: UB024GMFILCFHD
Indoor Code: 22022711000421



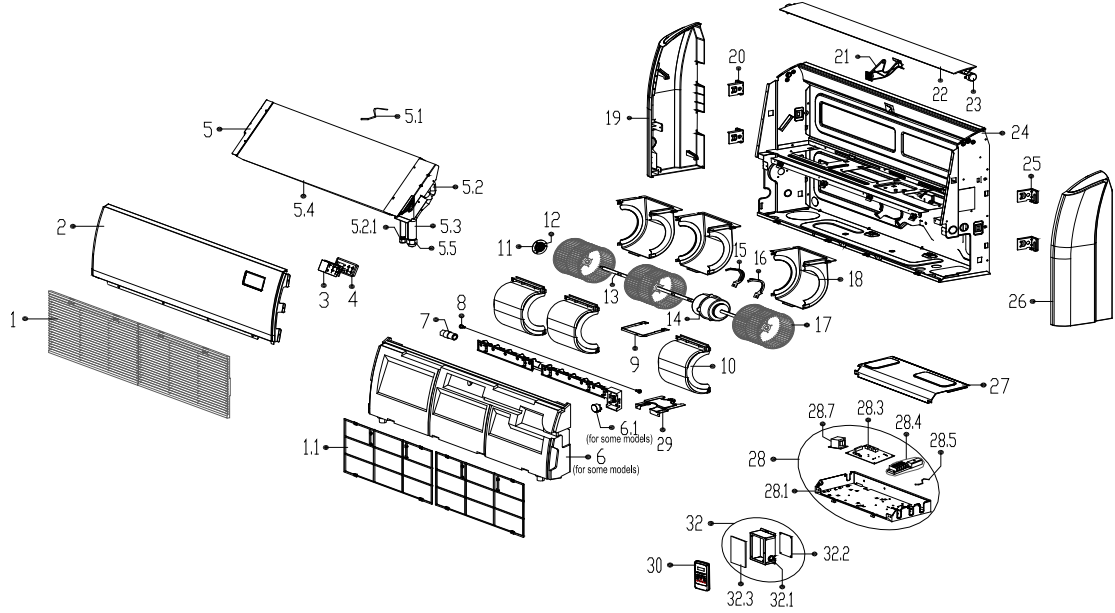
DL-E-12~24K-002

No.	Part Name	Quantity	BOM Code	BIN No.	Remark
1	Air Returning Grille Subassembly	1.0	12122700000100	24	
1.1	Air Filter	1.0	12100204000718	6	
1.2	Air Filter	1.0	12100204000719	5	
2	Top cover	1.0	12222700000096	54	
3	VLED Display Module	1.0	17122700000005	19	
4	Display panel box	1.0	12122700000044	0	
5	Evaporator assembly Gas valve assembly	1.0	15822700000192	406	
5.1	Temperature Sensor	1.0	11201007000266	7	
5.1	Temperature Sensor	1.0	11201007000006	5	
5.2	Input pipes of Evaporator assemblyJoint board of Evaporator	1.0	15122700000228	74	
5.2.1	Copper nut	1.0	15500406000010	3	
5.3	Outlet Pipes of Evaporator	1.0	15122700000185	79	
5.4	Evaporator	1.0	15822700000203	335	
5.5	Copper net	1.0	15500406000003	6	
6	Water receiver subassembly	1.0	12822700000010	146	
6.1	Stepper motor	1.0	11002010000546	19	
7	Connecting pipe clamp	1.0	12222700000054	2	
8	Guide holder	1.0	12122700000150	1	
9	Electricity preventing axis	2.0	12122000000344	0	
10	stepper motor	1.0	11002010000057	41	
11	Volute shell	2.0	12122700000047	10	
12	Centrifugal fan	2.0	12100103000002	26	
13	Brushless DC Motor	1.0	11002015000043	286	
14	Motor clamp	1.0	12222500000255	1	
15	Motor clamp	1.0	12222500000253	1	
16	Motor Boarding	1.0	12222300000230	2	
17	Volute shell	2.0	12122700000111	11	
18	Cover plate (right)	1.0	12122700000087	15	
19	Installation Right Hanger	2.0	12222700000018	2	
20	Subassembly of Air Guide Strip	1.0	12122700000061	35	
21	Chassis Assembly	1.0	12222700000059	239	
22	Installation Left Hanger	2.0	12222700000016	2	
23	Cover plate (left)	1.0	12122700000093	15	
24	E-Part Box Cover Subassembly	1.0	12222700000058	14	
25	E-Parts Box assembly	1.0	17222700000124	398	
25.1	Welding Parts of Electrical Control Box	1.0	12222700000083	17	
25.2	Indoor Main Control Board Subassembly (Tie-in, RoHS)	1.0	17122700000068	224	
25.3	Wire holder	1.0	17400401000006	9	
25.3	Wire joint	1.0	17400401000020	4	
25.5	Room Temperature Sensor	1.0	11201007000073	3	
25.7	Reactance	1.0	17400306000070	54	
26	Remote controller	1.0	17317000000099	45	
28	Electrical Control Box Subassembly	1.0	17222700000159	201	
28.1	Electrical Control Box	1.0	12223000000052	4	
28.2	Inverter Module Subassembly (Sticker)	1.0	17122000008562	175	
28.3	Radiator	1.0	11203803000154	20	

PIONEER UYB Series Heat Pump Inverter Parts Diagram (Indoor Section)

System Model: UYB036GMFILCRD
Nominal Capacity: 36000 BTU
Power Supply: 208~230 V, 1 Ph, 60Hz.

Indoor Unit Model: UB036GMFILCFHD
Indoor Code: 22022711000659

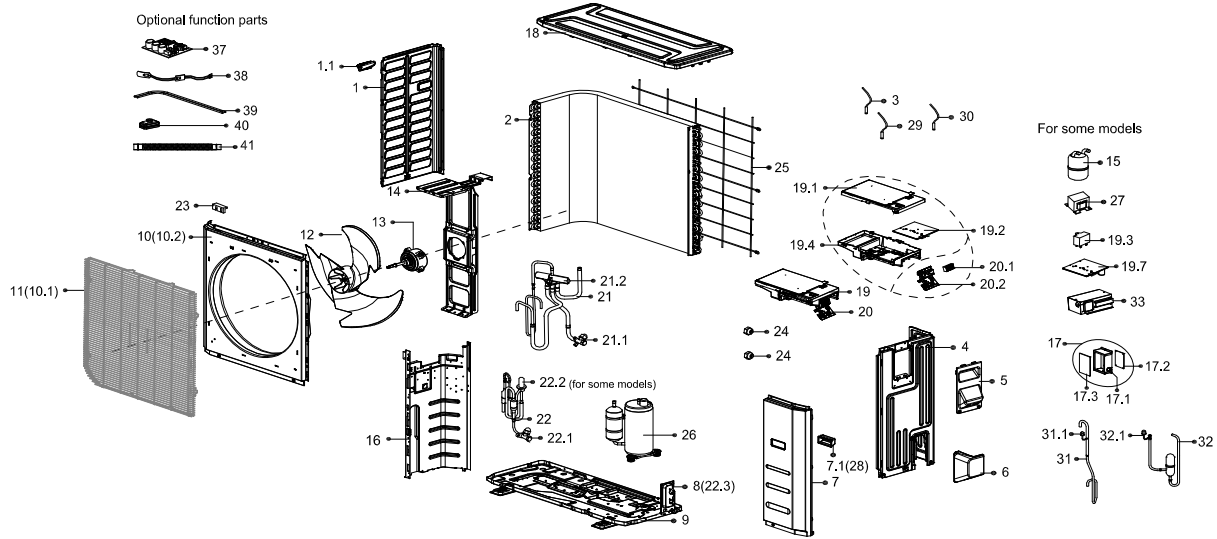


No.	Part Name	Quantity	BOM Code	BIN No.	Remark
1	Air Returning Grille Subassembly	2.0	12122700000096	15	
1.1	Air Filter	1.0	12100204000718	6	
2	Top cover	1.0	12222700000094	64	
3	VLED Display Module	1.0	17122700000005	19	
4	Display panel box	1.0	12122700000044	0	
5	Evaporator assembly Gas valve assembly	1.0	15822700000060	458	
5.1	Temperature Sensor	1.0	11201007000266	7	
5.1	Temperature Sensor	1.0	11201007000006	5	
5.2	Input pipes of Evaporator assemblyJoint board of Evaporator	1.0	15122700000338	54	
5.2.1	Copper nut	1.0	15500406000010	3	
5.3	Outlet Pipes of Evaporator	1.0	15122700000198	43	
5.4	Evaporator	1.0	15822700000210	458	
5.5	Copper net	1.0	15500406000003	6	
7	coupler	1.0	12923000000004	21	
8	Electricity preventing axis	2.0	12122000000344	0	
9	Motor Boarding	1.0	12222300000230	2	
10	Upper Volute	3.0	12122700000049	11	
11	Bearing Fixing board	1.0	12222000003769	1	
12	bearing block	1.0	12622000000013	1	
13	Intermediate Shaft	1.0	12922700000004	26	
14	Brushless DC Motor	1.0	11002015000297	290	
15	Motor clamp	1.0	12222500000255	1	
16	Motor clamp	1.0	12222500000253	1	
17	Plastic Fan Wheel	3.0	12100103000165	28	
18	Lower Scroll	3.0	12122700000113	14	
19	Cover plate (right)	1.0	12122700000087	15	
20	Installation Right Hanger	2.0	12222700000018	2	
21	Guide holder	1.0	12122700000150	1	
22	Subassembly of Air Guide Strip	1.0	12122700000058	42	
23	stepper motor	1.0	11002010000057	41	
24	Chassis assembly	1.0	12222700000226	260	
25	Installation Left Hanger	2.0	12222700000016	2	
26	Cover plate (left)	1.0	12122700000093	15	
27	E-Part Box Cover Subassembly	1.0	12222700000058	14	
28	E-Parts Box assembly	1.0	17222700000196	362	
28.1	Welding Parts of Electrical Control Box	1.0	12222700000083	17	
28.3	Indoor Main Control Board Subassembly (Tie-in)Indoor Main C	1.0	17122700000387	256	
28.4	Wire joint, 5p	1.0	17400401000094	6	
28.4	Wire holder	1.0	17400401000006	9	
28.5	Room Temperature Sensor	1.0	11201007000073	3	
29	Connecting pipe clamp	1.0	12222700000054	2	
30	Remote controller	1.0	17317000000099	45	
32	Electrical Control Box Subassembly	1.0	17222700000162	205	
32.1	Electrical Control Box	1.0	12223000000052	4	
32.2	Inverter Module Subassembly (Sticker)	1.0	17122000008498	178	
32.3	Radiator	1.0	11203803000154	20	

PIONEER UYB Series Heat Pump Inverter Parts Diagram (Outdoor Section)

System Model: UYB036GMFILCRD
Nominal Capacity: 36000 BTU
Power Supply: 208~230 V, 1 Ph, 60Hz.

Outdoor Unit Model: YN036GMFI17RUD
Outdoor Code: 22022516000402

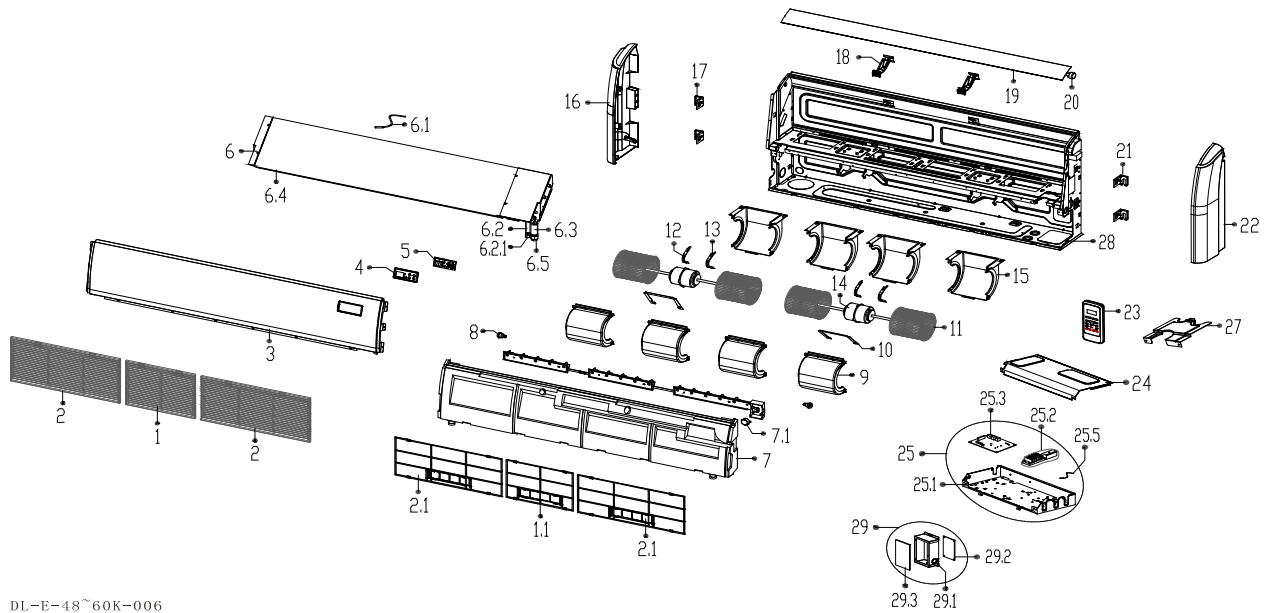


No.	Part Name	Quantity	BOM Code	BIN No.	Remark
1	Left side plate assembly of cabinet	1.0	12222000006665	40	
1.1	Small Handle	1.0	12100701000033	1	
2	Condenser Assembly	1.0	15822200000807	754	
3	Temperature Sensor	1.0	11201007000006	5	
4	Rear right clapboard assembly	1.0	12222000006664	68	
5	Big Handle	1.0	12222000004019	4	
6	Water Collecting Cover	1.0	12122200002695	6	
7	Front right clapboard assembly	1.0	12222500000633	50	
7.1	Little Handle	1.0	12100702000038	1	
9	Chassis assembly	1.0	12222000004018	112	
10	Front panel	1.0	12222000004983	102	
11	Air Outlet Guard	1.0	12222200000907	63	
12	Axial fan	1.0	12100105000084	51	
13	Brushless DC Motor	1.0	11002015000247	252	
14	Holder for fan motor assembly	1.0	12222000005162	47	
15	Accumulator cylinder	1.0	15500508000002	111	
16	Separator Assembly	1.0	12222200001158	29	
18	Topcap assembly	1.0	12222500000587	67	
19	E-Parts Box assembly	1.0	17222500000740	1497	
19.1	Electric Installing Box Subassembly	1.0	12122200002719	49	
19.2	Sticker Subassembly of Outdoor Main Control Board	1.0	17122500001211	334	
19.4	Electric Installing Box Subassembly	1.0	12122200002715	32	
19.7	Outdoor Inverter Module Subassembly	1.0	17122500001174	1113	
20	Terminal Block Subassembly of Electrical Control Box	1.0	17223000000581	59	
20.1	Wire holder	1.0	17400401000098	3	
20.1	Wire holder	1.0	17400401000075	23	
20.2	Wiring terminal installing plate	1.0	12222200001476	3	
21	Gas Valve Assembly	1.0	15422500000236	283	
21.1	Stop valve	1.0	15500204000025	36	
21.2	4-ways valve	1.0	15500216000681	196	
21.4	Compressor suction pipe	1.0	15123000008207	23	
21.5	Compressor exhaust pipe	1.0	15123000003661	11	
22	High-Voltage valve Assembly	1.0	15423000001918	237	
22.1	Stop valve	1.0	15500204000008	23	
22.2	Electronic expansion valve	1.0	15500213000245	191	
22.3	Installation plate for valves	1.0	12222200002110	4	
23	Clamp, front net	8.0	12122000006844	0	
24	Copper net	1.0	15500406000003	6	
25	Rear net	1.0	12222000006604	28	
26	DC Inverter Rotary Compressor	1.0	11103020000439	1376	
29	Discharge temperature sensor assembly	1.0	11201007000246	11	
30	Room Temperature Sensor	1.0	11201007000039	3	
31	Parts of compressor return pipe	1.0	15122500001076	80	
31.1	Pressure switch	1.0	17400516000024	23	
32	Parts of compressor exhaust pipe	1.0	15122500001079	130	
32.1	Pressure switch	1.0	17400516000007	25	

PIONEER UYB Series Heat Pump Inverter Parts Diagram (Indoor Section)

System Model: UYB048GMFILCRD
Nominal Capacity: 48000 BTU
Power Supply: 208~230 V, 1 Ph, 60Hz.

Indoor Unit Model: UB048GMFILCFHD
Indoor Code: 22022711000658



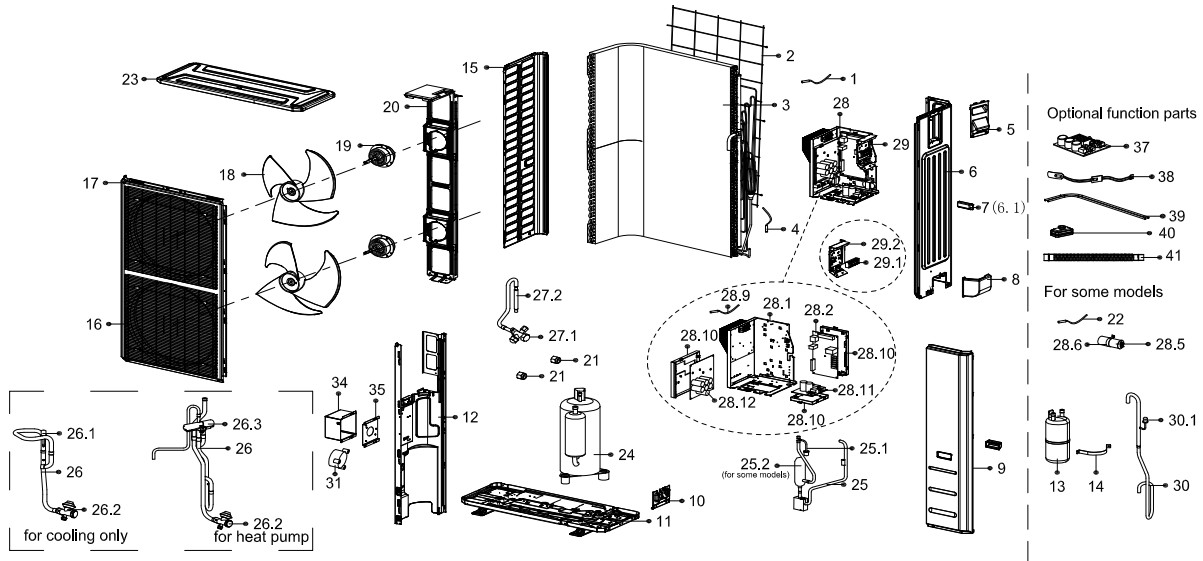
DL-E-48~60K-006

No.	Part Name	Quantity	BOM Code	BIN No.	Remark
1	Air Returning Grille Subassembly	1.0	12122700000103	11	
1.1	Air Filter	1.0	12100204000719	5	
2	Air Returning Grille Subassembly	2.0	12122700000096	15	
2.1	Air Filter	1.0	12100204000718	6	
3	Top cover	1.0	12222700000093	86	
4	Display panel box	1.0	12122700000044	0	
5	VLED Display Module	1.0	17122700000005	19	
6	Evaporator assembly Gas valve assembly	1.0	15822700000136	555	
6.1	Temperature Sensor	1.0	11201007000006	5	
6.1	Temperature Sensor	1.0	11201007000266	7	
6.2	Input pipes of Evaporator assembly	1.0	15122700000044	86	
6.2.1	Joint board of Evaporator	1.0	15500406000010	3	
6.3	Outlet Pipes of Evaporator	1.0	15122700000186	79	
6.4	Evaporator	1.0	15822700000197	392	
6.5	Copper net	1.0	15500406000003	6	
7	Water receiver subassembly	1.0	12822700000009	197	
7.1	Stepper motor	1.0	11002010000546	19	
8	Electricity preventing axis	2.0	12122000000344	0	
9	Upper Volute	4.0	12122700000049	11	
10	Motor Boarding	2.0	12222300000230	2	
11	Plastic Fan Wheel	4.0	12100103000165	28	
12	Motor clamp	2.0	12222500000255	1	
13	Motor clamp	2.0	12222500000253	1	
14	Brushless DC Motor	2.0	11002015000344	323	
15	Lower Scroll	4.0	12122700000113	14	
16	Cover plate (right)	1.0	12122700000087	15	
17	Installation Right Hanger	2.0	12222700000018	2	
18	Guide holder	2.0	12122700000150	1	
19	Subassembly of Air Guide Strip	1.0	12122700000059	56	
20	stepper motor	1.0	11002010000057	41	
21	Installation Left Hanger	2.0	12222700000016	2	
22	Cover plate (left)	1.0	12122700000093	15	
23	Remote controller	1.0	17317000000099	45	
24	E-Part Box Cover Subassembly	1.0	12222700000058	14	
25	E-Parts Box assembly	1.0	17222700000197	410	
25.1	Welding Parts of Electrical Control Box	1.0	12222700000083	17	
25.2	Wire joint, 5p	1.0	17400401000094	6	
25.2	Wire holder	1.0	17400401000006	9	
25.3	Indoor Main Control Board Subassembly (Tie-in)	1.0	17122700000389	322	
25.5	Room Temperature Sensor	1.0	11201007000073	3	
27	Connecting pipe clamp	1.0	12222700000054	2	
28	Chassis assembly	1.0	12222700000228	333	
29	Electrical Control Box Subassembly	2.0	17222700000162	205	
29.1	Electrical Control Box	1.0	12223000000052	4	
29.2	Inverter Module Subassembly (Sticker)	1.0	171220000008498	178	
29.3	Radiator	1.0	11203803000154	20	

PIONEER UYB Series Heat Pump Inverter Parts Diagram (Outdoor Section)

System Model: UYB048GMFILCRD
Nominal Capacity: 48000 BTU
Power Supply: 208~230 V, 1 Ph, 60Hz.

Outdoor Unit Model: YN048GMFI17RUD
Outdoor Code: 22022516000702



No.	Part Name	Quantity	BOM Code	BIN No.	Remark
1	Room Temperature Sensor	1.0	11201007000039	3	
2	Rear net	1.0	12222000007944	66	
3	Condenser assembly	1.0	15822200001056	613	
3	Condenser assembly	1.0	15822200001058	673	
4	Temperature Sensor	1.0	11201007000006	5	
5	Big Handle	1.0	12222000004019	4	
6	Rear right clapboard assembly	1.0	12222000004215	171	
6.1	Little Handle	1.0	12100702000038	1	
8	Water collector	1.0	12122000014023	7	
9	Front clapboard assembly	1.0	12222000006287	89	
10	Valve plate	1.0	12222000002361	8	
11	Chassis	1.0	12222000006290	154	
12	Partition board assembly	1.0	12222000005733	69	
13	Accumulator cylinder	1.0	15500508000009	122	
15	Left side plate assembly of cabinet	1.0	12222000002363	72	
16	Air outlet grille	2.0	12222000007904	61	
17	Front panel	1.0	12222000007564	175	
18	Axial fan	2.0	12100105000022	53	
19	Brushless DC Motor	1.0	11002015002241	264	
19	Brushless DC Motor	1.0	11002015004201	241	
20	Supporter assembly of fan motor	1.0	12222000006288	103	
21	Copper nut	1.0	15500406000010	3	
21	Copper net	1.0	15500406000003	6	
22	Discharge temperature sensor assembly	1.0	112010070000138	5	
23	Top cover assembly	1.0	12222000002359	63	
24	Inverter Controlled Rotary Compressor	1.0	11103020000029	1797	
25	Parts of compressor exhaust pipe	1.0	15123000008507	132	
25.1	Pressure controller	1.0	17400516000020	27	
26	Gas Valve Assembly	1.0	15423000002958	353	
26.2	Low Pressure Valve	1.0	15500204000061	36	
26.3	4-way valve	1.0	155002160000681	196	
27	Liquid valve assembly	1.0	15423000002959	259	
27.1	Liquid valve	1.0	15500208000026	19	
27.2	Electronic expansion valve	1.0	155002130000245	191	
28	Electronic control box assembly	1.0	17225000001481	2736	
28.1	Installation plate of electric parts	1.0	12222000006289	45	
28.2	Main control board assembly	1.0	17122500001772	454	
28.9	Discharge temp sensor assembly	1.0	112010070000157	7	
28.10	Installation box of electric parts	1.0	12122000014343	12	
28.10	Installation box of electric parts	1.0	12122000014182	11	
28.10	Installation box of electric parts	1.0	12122000014342	12	
28.11	Main control board assembly	1.0	17122000021908	487	
28.12	Main control board assembly	1.0	17122500001774	1360	
29	Terminal Block Subassembly of Electrical Control Box	1.0	17223000003336	110	
29.1	Wire holder	1.0	17400401000082	14	
29.1	terminal block,3p	1.0	17400401000085	20	
29.1	Wire holder	1.0	17400401000098	3	
29.2	Wire joint	1.0	17223000001877	7	
30	Parts of compressor return pipe	1.0	15123000008516	64	
30.1	Pressure switch	1.0	17400516000008	25	
31	PFC Inductor	1.0	11201101000002	339	
34	Cover of inductance	1.0	12222000006284	16	
35	Installation base of inductance	1.0	12222000006286	4	
38	Crankshaft Electrical Heating Strip	1.0	17402001000003	25	
39	Electrical Heating Tube	1.0	17402002000043	94	