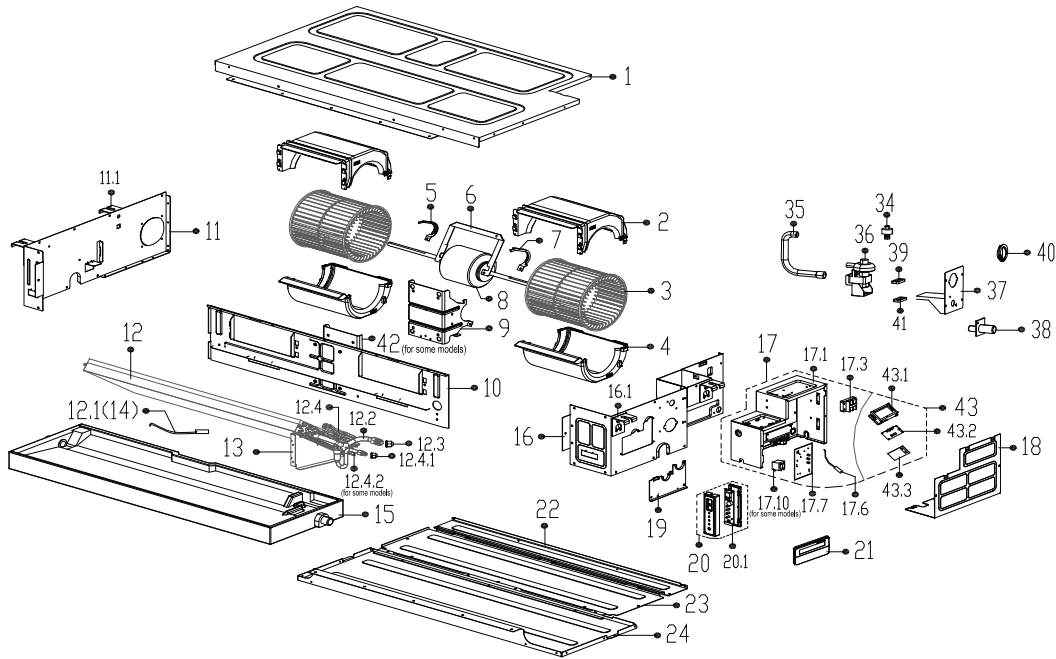


PIONEER RYB Series Heat Pump Inverter Parts Diagram (Indoor Section)

System Model: RYB009GMFILCRD
Nominal Capacity: 9000 BTU
Power Supply: 208~230 V, 1 Ph, 60Hz.

Indoor Unit Model: RB009GMFILCFHD
Indoor Code: 22023011000630

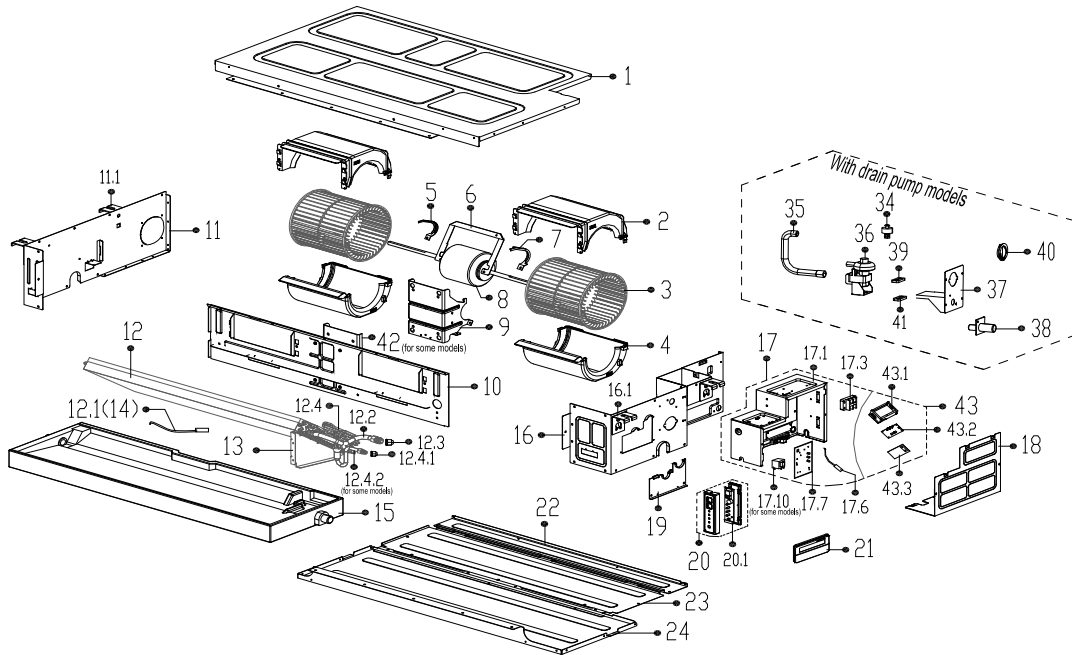


No.	Part Name	Quantity	BOM Code	BIN No.	Remark
1	Chassis Assembly	1.0	12223000000502	61	
2	Volute shell, up	2.0	12123000000026	8	
3	Centrifugal fan	2.0	121001030000077	26	
4	Volute shell	2.0	121230000000021	8	
5	Motor clamp	1.0	122225000000253	2	
6	Motor Boarding	1.0	122223000000230	2	
7	Motor clamp	1.0	122225000000255	1	
8	Brushless DC Motor	1.0	110020150000043	286	
9	Fan Motor Holder	1.0	122230000000567	10	
10	Middle beam ass'y	1.0	122230000000232	22	
11	Left panel Subassembly	1.0	122230000000117	31	
11.1	Hook	2.0	122230000000418	3	
12	Evaporator assembly Gas valve assembly	1.0	158230000000013	233	
12.2	Outlet Pipes of Evaporator	1.0	151223000000480	21	
12.3	Copper nut	1.0	155004060000010	3	
12.4	Input pipes of Evaporator assembly Joint board of Evaporator	1.0	151230000000334	37	
12.4.1	Copper nut	1.0	155004060000016	2	
13	Evaporator support board ass'y	1.0	122230000000290	5	
14	Temperature Sensor	1.0	11201007000136	5	
15	Drain pan ass'y	1.0	128230000000003	96	
16	Parts fn Right Side Plate	1.0	122230000000077	38	
16.1	Hook	2.0	122230000000418	3	
17	Electronic control box assembly	1.0	172230000003437	382	
17.1	Welding Parts of Electrical Control Box	1.0	122230000000045	21	
17.3	Wire holder	1.0	174004010000006	9	
17.6	Room Temperature Sensor	1.0	11201007000143	3	
17.7	Indoor Main Control Board Subassembly (Tie-in, RoHS)	1.0	171230000000138	268	
17.10	Reactance	1.0	174003060000070	54	
18	Electrical Control Box Cover	1.0	122230000000059	2	
19	Pressing Plate Subassembly of Tube(RoHS)	1.0	122230000000524	2	
20	Display box ass'y	1.0	172230000000003	28	
20.1	Display board assembly	1.0	171230000000096	24	
21	Wire Controller	1.0	173171000000022	97	
22	Rear beam ass'y	1.0	122230000000260	10	
23	Rear cover plate ass'y	1.0	122230000000211	17	
24	Top cover ass'y	1.0	122230000000200	27	
34	Water level sensor	1.0	112010050000006	16	
35	Rubber tube	1.0	126230000000003	65	
36	Water pump	1.0	174008020000021	48	
38	Drain pipe	1.0	121005100000021	86	
43	Electrical Control Box Subassembly	1.0	17222700000159	201	
43.1	Electrical Control Box	1.0	122230000000052	4	
43.2	Inverter Module Subassembly (Sticker)	1.0	171220000008562	175	

PIONEER RYB Series Heat Pump Inverter Parts Diagram (Indoor Section)

System Model: RYB012GMFILCRD
Nominal Capacity: 12000 BTU
Power Supply: 208~230 V, 1 Ph, 60Hz.

Indoor Unit Model: RB012GMFILCFHD
Indoor Code: 22023011000631

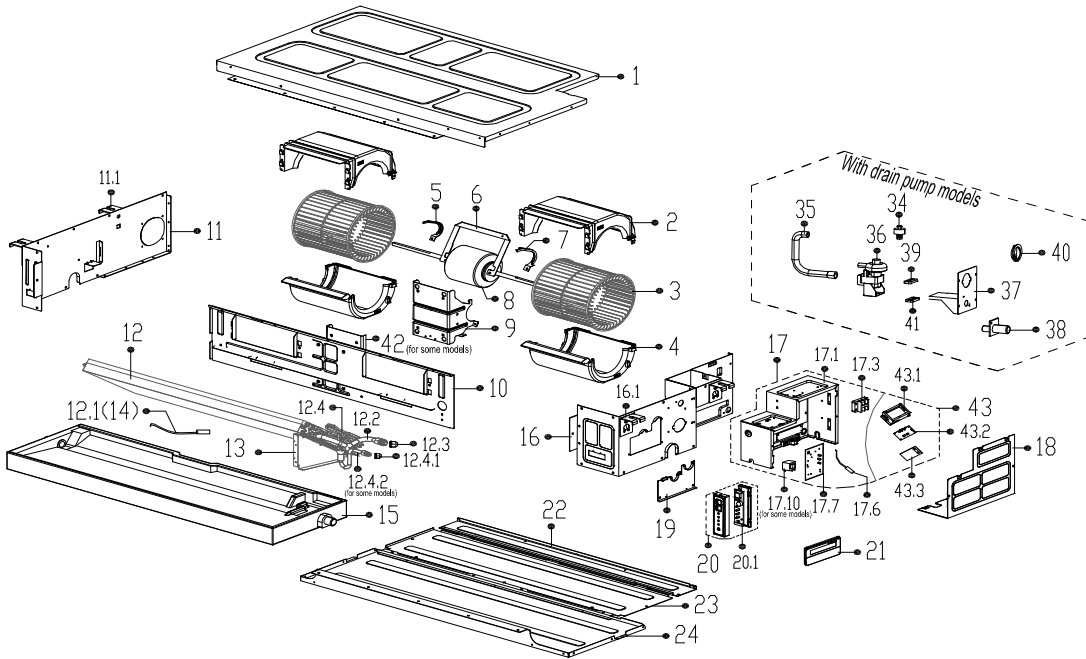


No.	Part Name	Quantity	BOM Code	BIN No.	Remark
1	Chassis Assembly	1.0	12223000000502	61	
2	Volute shell, up	2.0	12123000000026	8	
3	Centrifugal fan	2.0	12100103000077	26	
4	Volute shell	2.0	12123000000021	8	
5	Motor clamp	1.0	12222500000253	1	
6	Motor Boarding	1.0	12222300000230	2	
7	Motor clamp	1.0	12222500000255	1	
8	Brushless DC Motor	1.0	11002015000043	286	
9	Fan Motor Holder	1.0	12223000000567	10	
10	Middle beam ass'y	1.0	12223000000232	22	
11	Left panel Subassembly	1.0	12223000000117	31	
11.1	Hook	2.0	122230000000418	3	
12	Evaporator assembly Gas valve assembly	1.0	15823000000014	236	
12.2	Outlet Pipes of Evaporator	1.0	15123000000274	22	
12.3	Copper nut	1.0	15500406000012	4	
12.4	Input pipes of Evaporator assembly Joint board of Evaporator	1.0	15123000000334	37	
12.4.1	Copper nut	1.0	15500406000016	2	
13	Evaporator support board ass'y	1.0	12223000000290	5	
14	Temperature Sensor	1.0	11201007000136	5	
15	Drain pan ass'y	1.0	12823000000003	96	
16	Parts fn Right Side Plate	1.0	12223000000077	38	
16.1	Hook	2.0	122230000000418	3	
17	Electronic control box assembly	1.0	172230000003438	311	
17.1	Welding Parts of Electrical Control Box	1.0	12223000000045	21	
17.3	Wire holder	1.0	17400401000006	9	
17.6	Room Temperature Sensor	1.0	11201007000143	3	
17.7	Indoor Main Control Board Subassembly (Tie-in, RoHS)	1.0	17123000000073	264	
18	Electrical Control Box Cover	1.0	12223000000059	2	
19	Pressing Plate Subassembly of Tube(RoHS)	1.0	12223000000524	2	
20	Display box ass'y	1.0	17223000000003	28	
20.1	Display board assembly	1.0	17123000000096	24	
21	Wire Controller	1.0	17317100000022	97	
22	Rear beam ass'y	1.0	12223000000260	10	
23	Rear cover plate ass'y	1.0	12223000000211	17	
24	Top cover ass'y	1.0	12223000000200	27	
43	Electrical Control Box Subassembly	1.0	17222700000159	201	
43.1	Electrical Control Box	1.0	12223000000052	4	
43.2	Inverter Module Subassembly (Sticker)	1.0	171220000008562	175	
43.3	Radiator	1.0	11203803000154	20	

PIONEER RYB Series Heat Pump Inverter Parts Diagram (Indoor Section)

System Model: RYB018GMFILCRD
Nominal Capacity: 18000 BTU
Power Supply: 208~230 V, 1 Ph, 60Hz.

Indoor Unit Model: RB018GMFILCFHD
Indoor Code: 22023011000632

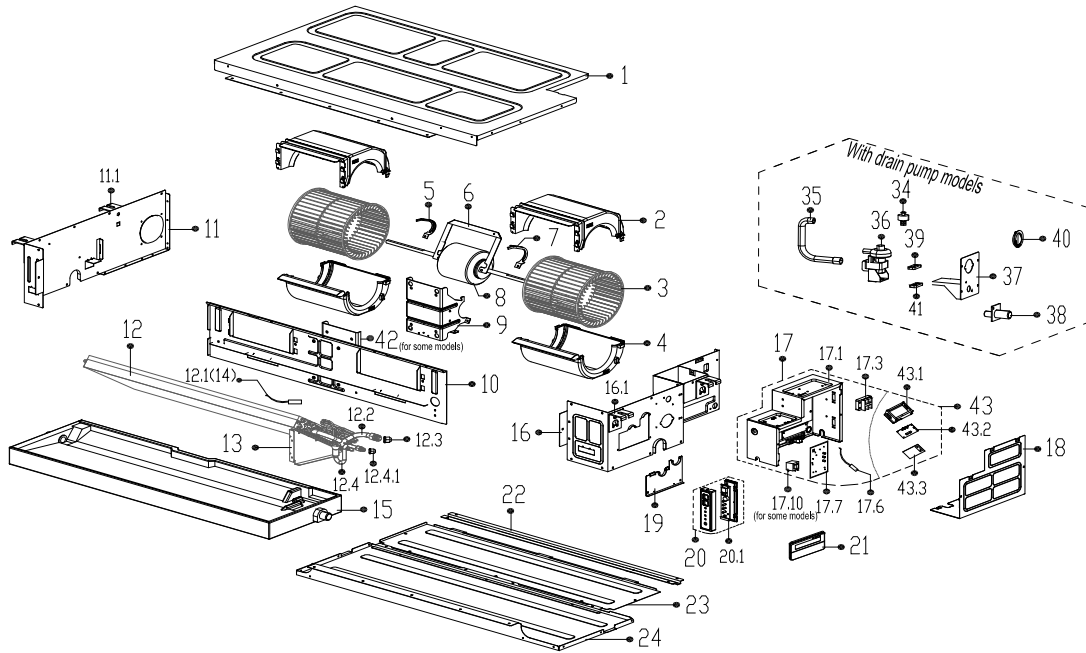


No.	Part Name	Quantity	BOM Code	BIN No.	Remark
1	Chassis Assembly	1.0	12223000000515	81	
2	volute shell ass'y, up	2.0	12123000000027	9	
3	Centrifugal fan	2.0	12100103000078	32	
4	volute shell	2.0	12123000000023	9	
5	Motor clamp	1.0	12222500000253	1	
6	Motor Boarding	1.0	12223000000537	2	
7	Motor clamp	1.0	12222500000255	1	
8	Brushless DC Motor	1.0	11002015000344	323	
9	Fan Motor Holder	1.0	12223000000559	14	
10	Middle beam components	1.0	12223000000234	34	
11	Left panel Subassembly	1.0	12223000000117	31	
11.1	Hook	2.0	12223000000418	3	
12	Evaporator assembly Gas valve assembly	1.0	15823000000124	329	
12.1	Temperature Sensor	1.0	11201007000136	5	
12.2	Outlet Pipes of Evaporator	1.0	15123000000300	27	
12.3	Copper nut	1.0	15500406000012	4	
12.4	Input pipes of Evaporator assembly	1.0	15123000000399	34	
12.4.1	Joint board of Evaporator	1.0	15500406000016	2	
12.4.2	Copper nut	1.0	15500406000016	2	
13	Evaporator support board ass'y	1.0	12223000000290	5	
15	Water receiver assembly	1.0	12823000000001	104	
16	Parts fn Right Side Plate	1.0	12223000000077	38	
16.1	Hook	2.0	12223000000418	3	
17	Electronic control box assembly	1.0	172230000003436	382	
17.1	Welding Parts of Electrical Control Box	1.0	12223000000045	21	
17.3	Wire holder	1.0	17400401000006	9	
17.6	Room Temperature Sensor	1.0	11201007000143	3	
17.7	Indoor Main Control Board Subassembly (Tie-in RoHS)	1.0	17123000000155	268	
17.10	Reactance	1.0	17400306000070	54	
18	Electrical Control Box Cover	1.0	12223000000059	2	
19	Pressing Plate Subassembly of Tube(RoHS)	1.0	12223000000054	2	
20	Display box ass'y	1.0	17223000000003	28	
20.1	Display board assembly	1.0	17123000000096	24	
21	Wire Controller	1.0	17317100000022	97	
22	Rear Transverse Beam	1.0	12223000000266	11	
23	Rear Cover Plate	1.0	12223000000214	20	
24	Top cover ass'y	1.0	12223000000199	40	
43	Electrical Control Box Subassembly	1.0	17222700000162	205	
43.1	Electrical Control Box	1.0	12223000000052	4	
43.2	Inverter Module Subassembly (Sticker)	1.0	171220000008498	178	
43.3	Radiator	1.0	11203803000154	20	

PIONEER RYB Series Heat Pump Inverter Parts Diagram (Indoor Section)

System Model: RYB024GMFILCRD
Nominal Capacity: 24000 BTU
Power Supply: 208~230 V, 1 Ph, 60Hz.

Indoor Unit Model: RB024GMFILCFHD
Indoor Code: 22023011000633

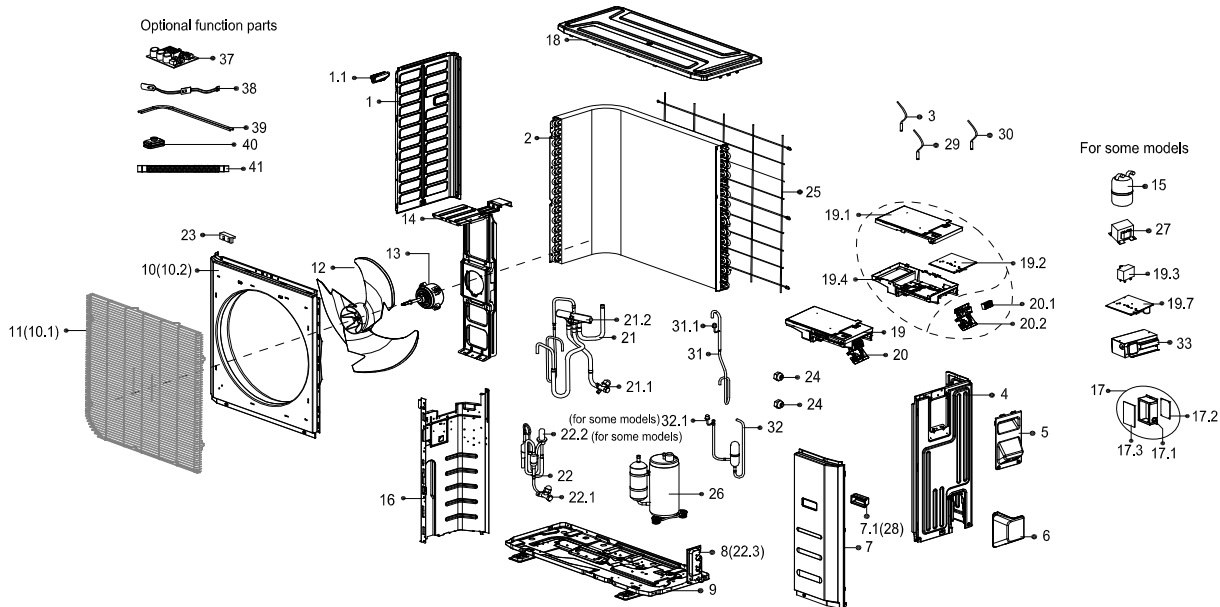


No.	Part Name	Quantity	BOM Code	BIN No.	Remark
1	Chassis Assembly	1.0	12223000000515	81	
2	Volute shell,up	2.0	12123000000024	14	
3	Centrifugal fan	2.0	12100103000079	53	
4	Volute shell,down	2.0	12123000000022	12	
5	Motor clamp	1.0	12222500000253	1	
6	Motor Boarding	1.0	12223000000537	2	
7	Motor clamp	1.0	12222500000255	1	
8	Brushless DC Motor	1.0	11002015000344	323	
9	Fan Motor Holder	1.0	12223000000559	14	
10	Middle beam components	1.0	12223000000233	42	
11	Left panel Subassembly	1.0	12223000000122	39	
11.1	Hook	2.0	122230000000418	3	
12	Evaporator assembly Gas valve assembly	1.0	15823000000114	484	
12.1	Temperature Sensor	1.0	11201007000136	5	
12.2	Outlet Pipe Subassembly	1.0	15123000000280	53	
12.3	Copper net	1.0	15500406000003	6	
12.4	Inlet Pipe Subassembly	1.0	15123000000340	77	
12.4.1	Copper nut	1.0	15500406000010	3	
13	Components of the right support plate evaporator	1.0	12223000000291	6	
15	Water receiver assembly	1.0	12823000000001	104	
16	Parts fn Right Side Plate	1.0	122230000000079	46	
16.1	Hook	2.0	122230000000418	3	
17	Electronic control box assembly	1.0	172230000003439	283	
17.1	Welding Parts of Electrical Control Box	1.0	122230000000046	24	
17.3	Wire holder	1.0	17400401000006	9	
17.6	Room Temperature Sensor	1.0	112010070000073	3	
17.7	Indoor Main Control Board Subassembly (Tie-in, RoHS)	1.0	17123000000118	238	
18	E-Part box cover	1.0	122230000000060	8	
19	Pressing Plate Subassembly of Tube(RoHS)	1.0	122230000000524	2	
20	Display box ass'y	1.0	172230000000003	28	
20.1	Display board assembly	1.0	171230000000096	24	
21	Wire Controller	1.0	17317100000022	97	
22	Rear beam	1.0	122230000000263	5	
23	Rear Cover Plate	1.0	122230000000217	24	
24	Top cover ass'y	1.0	122230000000199	40	
42	Motor Installing Foundation Subassembly	1.0	122230000000547	10	
43	Electrical Control Box Subassembly	1.0	172227000000162	205	
43.1	Electrical Control Box	1.0	122230000000052	4	
43.2	Inverter Module Subassembly (Sticker)	1.0	171220000008498	178	
43.3	Radiator	1.0	11203803000154	20	

PIONEER RYB Series Heat Pump Inverter Parts Diagram (Outdoor Section)

System Model: RYB024GMFILCRD
Nominal Capacity: 24000 BTU
Power Supply: 208~230 V, 1 Ph, 60Hz.

Outdoor Unit Model: YN024GMFI22RPD
Outdoor Code: 22022016005099

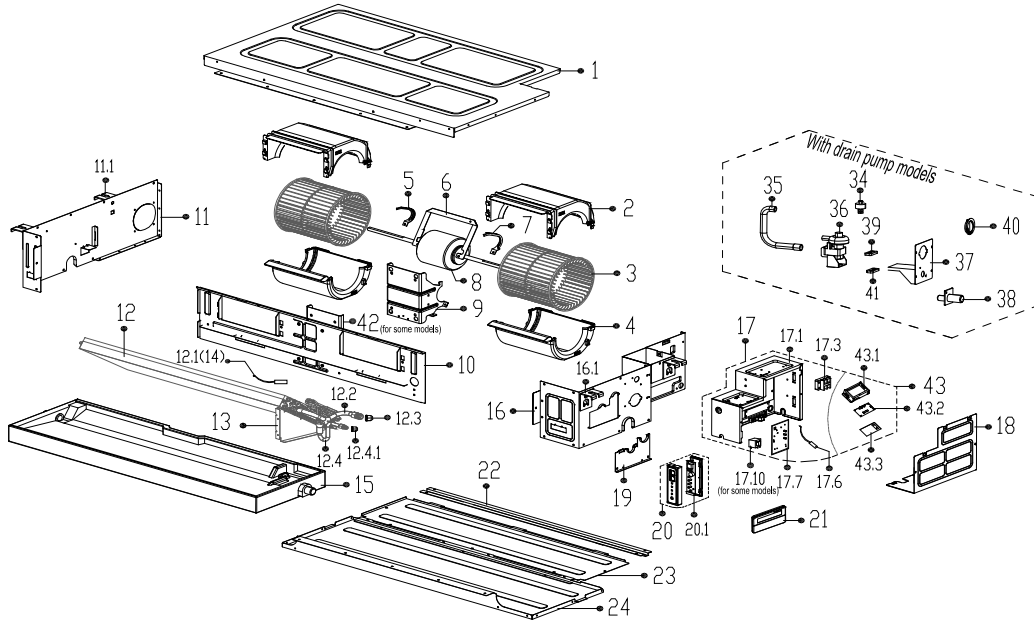


No.	Part Name	Quantity	BOM Code	BIN No.	Remark
1	Left side plate assembly of cabinet	1.0	12222000006665	48	
1.1	Small Handle	1.0	12100701000033	1	
2	Condenser assembly	1.0	15822000003716	946	
3	Temperature Sensor	1.0	11201007000006	5	
4	Rear right clapboard assembly	1.0	12222000006664	82	
5	Big Handle	1.0	12222000004019	8	
6	Water Collecting Cover	1.0	12122200002695	7	
7	Front right clapboard assembly	1.0	12222500000633	61	
7.1	Little Handle	1.0	12100702000038	2	
9	Chassis assembly	1.0	12222000004762	149	
10	Front panel	1.0	12222000004983	123	
11	Air Outlet Guard	1.0	12222200000907	152	
12	Axial fan	1.0	12100105000084	58	
13	Brushless DC Motor	1.0	11002015000247	297	
14	Holder for fan motor assembly	1.0	12222000005162	65	
16	Separator Assembly	1.0	12222200001158	36	
18	Top cover assembly	1.0	12222500000541	79	
19	Electronic control box assembly	1.0	17222000009478	881	
19.1	Electric Installing Box Cover Subassembly	1.0	12122200002713	40	
19.2	Outdoor main control board assembly	1.0	17122000018866	773	
19.4	Electric Installing Box Subassembly	1.0	12122200002717	35	
20	Terminal Block Subassembly of Electrical Control Box	1.0	17222000002906	40	
20.1	Wire holder	1.0	17400401000037	11	
20.2	Wiring terminal installing plate	1.0	12222200001476	4	
21	Piping Assembly	1.0	15422000005608	234	
21.1	Low Pressure Valve	1.0	15500204000025	44	
21.2	4-way Valve	1.0	15500216000026	93	
22	Liquid valve Assembly	1.0	15422000003309	331	
22.1	Low Pressure Valve	1.0	15500204000021	29	
22.2	Electronic expansion valve	1.0	15500213000265	128	
22.3	Installation plate for valves	1.0	12222200002110	6	
23	Clamp of front net	8.0	12122000006844	0	
24	Brass Nut	1.0	15500406000003	8	
24	Brass Nut	1.0	15500406000010	4	
25	Rear net	1.0	12222000006604	29	
26	Inverter Controlled Rotary Compressor	1.0	11103020000179	1184	
27	Reactor	1.0	17400306000058	93	
29	Discharge temperature sensor assembly	1.0	11201007000157	7	
30	Room Temperature Sensor	1.0	11201007000039	4	

PIONEER RYB Series Heat Pump Inverter Parts Diagram (Indoor Section)

System Model: RYB036GMFILCRD
Nominal Capacity: 36000 BTU
Power Supply: 208~230 V, 1 Ph, 60Hz.

Indoor Unit Model: RB036GMFILCFHD
Indoor Code: 22023011000519

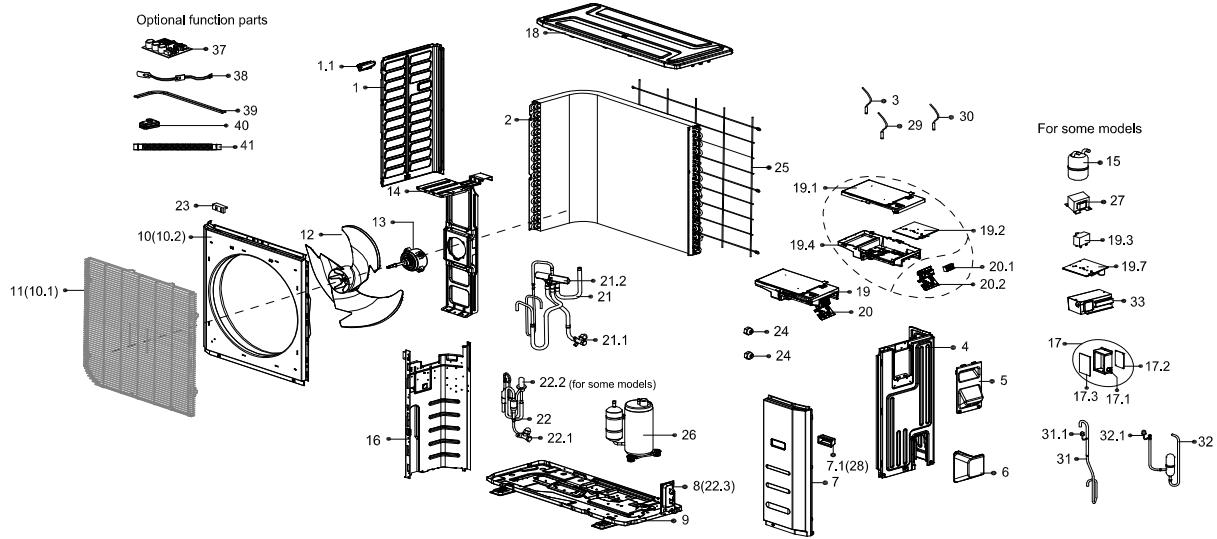


No.	Part Name	Quantity	BOM Code	BIN No.	Remark
1	Chassis Assembly	1.0	12223000000498	191	
2	Volute shell,up	2.0	12123000000024	14	
3	Centrifugal fan	2.0	12100103000079	53	
4	Volute shell,down	2.0	12123000000022	12	
5	Motor clamp	1.0	12222500000253	1	
6	Motor Boarding	1.0	12223000000537	2	
7	Motor clamp	1.0	12222500000255	1	
8	Brushless DC Motor	1.0	11002015000091	344	
9	Fan Motor Holder	1.0	12223000000559	14	
10	Components of middle beam	1.0	12223000000229	67	
11	Left panel Subassembly	1.0	12223000000123	62	
11.1	Hook	2.0	12223000000418	3	
12	Evaporator assembly Gas valve assembly	1.0	15823000000027	545	
12.1	Temperature Sensor	1.0	11201007000136	5	
12.1	Temperature Sensor	1.0	11201007000266	7	
12.2	Outlet Pipes of Evaporator	1.0	15123000000302	52	
12.3	Copper net	1.0	15500406000003	6	
12.4	Input pipes of Evaporator assemblyJoint board of Evaporator	1.0	15123000000410	69	
12.4.1	Copper nut	1.0	15500406000010	3	
13	evaporator supporting plate ass'y, right	1.0	12223000000287	10	
15	Drain tray ass'y	1.0	12823000000004	154	
16	Parts fn Right Side Plate	1.0	12223000000082	69	
16.1	Hook	2.0	12223000000418	3	
17	Electrical Control Box Subassembly	1.0	17223000000205	413	
17.1	Welding Parts of Electrical Control Box	1.0	12223000000046	24	
17.3	Wire holder	1.0	17400401000006	9	
17.6	Room Temperature Sensor	1.0	11201007000073	3	
17.7	Indoor Main Control Board Subassembly (Tie-in, RoHS)	1.0	17123000000182	310	
17.10	Reactance	1.0	17400306000070	54	
18	E-Part box cover	1.0	12223000000060	8	
19	Pressing Plate Subassembly of Tube(RoHS)	1.0	12223000000524	2	
20	Display box ass'y	1.0	17223000000003	28	
20.1	Display board assembly	1.0	17123000000096	24	
21	Wire Controller	1.0	17317100000022	97	
22	rear beam	1.0	12223000000267	12	
23	Rear Cover Plate	1.0	12223000000213	32	
24	Top cover ass'y	1.0	12223000000201	88	
29	strengthen board, right clapboard	1.0	12223000000110	2	
43	Electrical Control Box Subassembly	1.0	17223000000083	202	
43.1	Electrical Control Box	1.0	12223000000052	4	
43.2	Inverter Module Subassembly (Sticker)	1.0	17122000008553	178	
43.3	Radiator	1.0	11203803000154	22	

PIONEER RYB Series Heat Pump Inverter Parts Diagram (Outdoor Section)

System Model: RYB036GMFILCRD
Nominal Capacity: 36000 BTU
Power Supply: 208~230 V, 1 Ph, 60Hz.

Outdoor Unit Model: YN036GMFI17RUD
Outdoor Code: 22022516000402

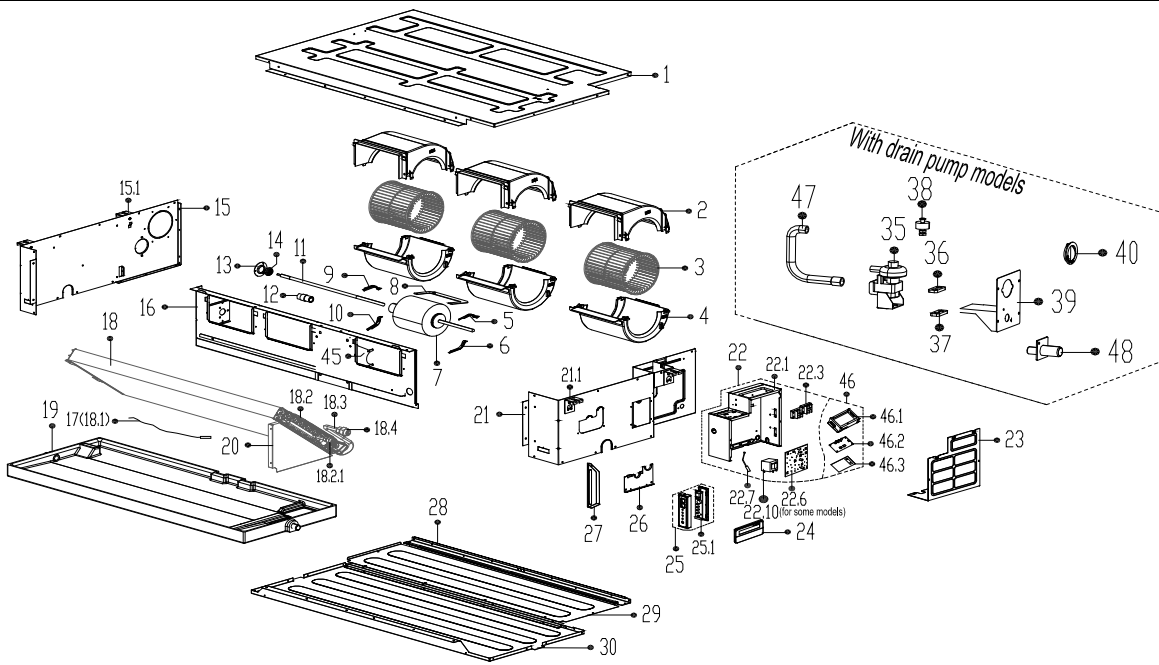


No.	Part Name	Quantity	BOM Code	BIN No.	Remark
1	Left side plate assembly of cabinet	1.0	12222000006665	40	
1.1	Small Handle	1.0	12100701000033	1	
2	Condenser Assembly	1.0	15822200000807	754	
3	Temperature Sensor	1.0	11201007000006	5	
4	Rear right clapboard assembly	1.0	12222000006664	68	
5	Big Handle	1.0	12222000004019	4	
6	Water Collecting Cover	1.0	12122200002695	6	
7	Front right clapboard assembly	1.0	12222500000633	50	
7.1	Little Handle	1.0	12100702000038	1	
9	Chassis assembly	1.0	12222000004018	112	
10	Front panel	1.0	12222000004983	102	
11	Air Outlet Guard	1.0	12222200000907	63	
12	Axial fan	1.0	12100105000084	51	
13	Brushless DC Motor	1.0	11002015000247	252	
14	Holder for fan motor assembly	1.0	12222000005162	47	
15	Accumulator cylinder	1.0	15500508000002	111	
16	Separator Assembly	1.0	12222200001158	29	
18	Topcap assembly	1.0	12222500000587	67	
19	E-Parts Box assembly	1.0	17222500000740	1497	
19.1	Electric Installing Box Subassembly	1.0	12122200002719	49	
19.2	Sticker Subassembly of Outdoor Main Control Board	1.0	17122500001211	334	
19.4	Electric Installing Box Subassembly	1.0	12122200002715	32	
19.7	Outdoor Inverter Module Subassembly	1.0	17122500001174	1113	
20	Terminal Block Subassembly of Electrical Control Box	1.0	17223000000581	59	
20.1	Wire holder	1.0	17400401000098	3	
20.1	Wire holder	1.0	17400401000075	23	
20.2	Wiring terminal installing plate	1.0	12222200001476	3	
21	Gas Valve Assembly	1.0	15422500000236	283	
21.1	Stop valve	1.0	15500204000025	36	
21.2	4-ways valve	1.0	15500216000681	196	
21.4	Compressor suction pipe	1.0	15123000008207	23	
21.5	Compressor exhaust pipe	1.0	15123000003661	11	
22	High-Voltage valve Assembly	1.0	15423000001918	237	
22.1	Stop valve	1.0	15500204000008	23	
22.2	Electronic expansion valve	1.0	15500213000245	191	
22.3	Installation plate for valves	1.0	12222200002110	4	
23	Clamp, front net	8.0	12122000006844	0	
24	Copper net	1.0	15500406000003	6	
25	Rear net	1.0	12222000006604	28	
26	DC Inverter Rotary Compressor	1.0	11103020000439	1376	
29	Discharge temperature sensor assembly	1.0	11201007000246	11	
30	Room Temperature Sensor	1.0	11201007000039	3	
31	Parts of compressor return pipe	1.0	15122500001076	80	
31.1	Pressure switch	1.0	17400516000024	23	
32	Parts of compressor exhaust pipe	1.0	15122500001079	130	
32.1	Pressure switch	1.0	17400516000007	25	

PIONEER RYB Series Heat Pump Inverter Parts Diagram (Indoor Section)

System Model: RYB048GMFILCRD
Nominal Capacity: 48000 BTU
Power Supply: 208~230 V, 1 Ph, 60Hz.

Indoor Unit Model: RB048GMFILCFHD
Indoor Code: 22023011000450

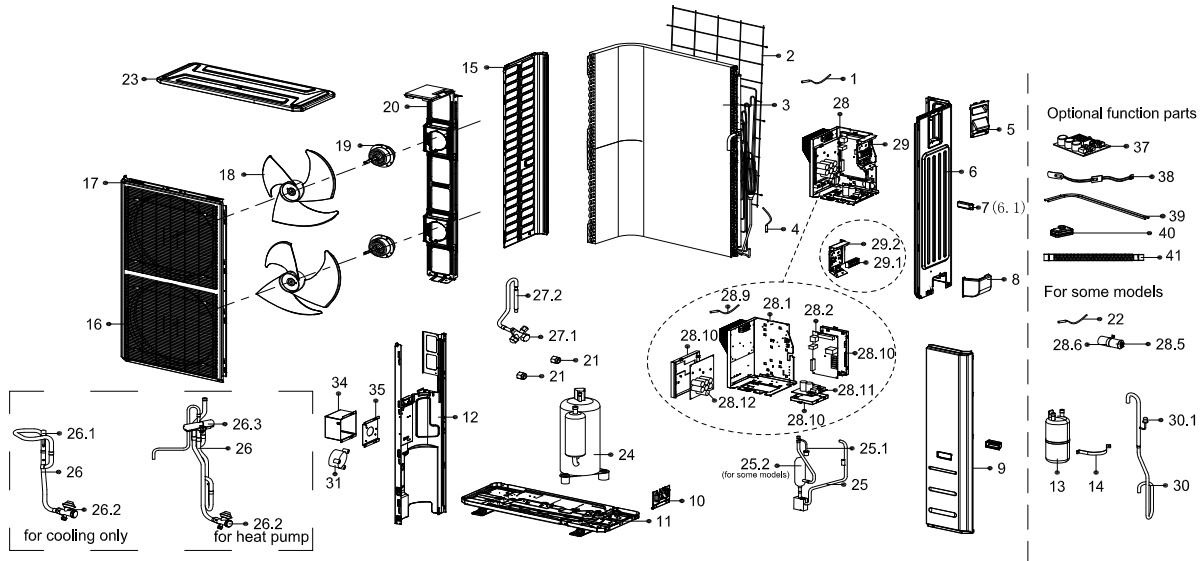


No.	Part Name	Quantity	BOM Code	BIN No.	Remark
1	Chassis Assembly	1.0	12223000000521	151	
2	Volute shell,up	3.0	12123000000024	14	
3	Centrifugal fan	3.0	12100103000079	53	
4	Volute shell,down	3.0	12123000000022	12	
5	Top fixing clamp, fan motor, right	1.0	12223000000531	1	
6	Below fixing clamp, fan motor, right	1.0	12223000000529	1	
7	Brushless DC Motor	1.0	11002015000365	449	
8	Motor Boarding	1.0	12223000000535	3	
9	Top fixing clamp, fan motor, left	1.0	12223000000532	1	
10	Below fixing clamp, fan motor, left	1.0	12223000000530	1	
11	Connecting shaft	1.0	12923000000001	27	
12	coupler	1.0	12923000000004	21	
13	Bearing Fixing board	1.0	122220000003769	1	
14	bearing block	1.0	126220000000013	1	
15	Left panel Subassembly	1.0	122230000000121	57	
15.1	Hook	2.0	12223000000418	3	
16	Beam ass'y	1.0	12223000000238	71	
18	Evaporator assembly Gas valve assembly	1.0	15823000000036	631	
18.1	Temperature Sensor	1.0	11201007000266	7	
18.1	Temperature Sensor	1.0	11201007000136	5	
18.2	Inlet Pipe Subassembly	1.0	151230000000338	42	
18.2.1	Copper nut	1.0	15500406000010	3	
18.3	Outlet Pipes of Evaporator	1.0	15123000000299	49	
18.4	Copper net	1.0	15500406000003	6	
19	Drain pan ass'y	1.0	128230000000002	131	
20	right mounting board ass'y, evaporator	1.0	12223000000288	14	
21	Right side of the board assembly	1.0	122230000000075	62	
21.1	Hook	2.0	12223000000418	3	
22	Electrical Control Box Subassembly	1.0	17223000000205	413	
22.1	Welding Parts of Electrical Control Box	1.0	122230000000046	24	
22.3	Wire holder	1.0	17400401000006	9	
22.6	Indoor Main Control Board Subassembly (Tie-in, RoHS)	1.0	17123000000182	310	
22.7	Room Temperature Sensor	1.0	11201007000073	3	
22.10	Reactance	1.0	17400306000070	54	
23	E-Part box cover	1.0	122230000000060	8	
24	Wire Controller	1.0	17317100000022	97	
25	Display box ass'y	1.0	172230000000003	28	
25.1	Display board assembly	1.0	171230000000096	24	
26	Pressing Plate Subassembly of Tube(RoHS)	1.0	12223000000524	2	
27	strengthen board, right clapboard	1.0	12223000000112	3	
28	Rear Transverse Beam	1.0	12223000000265	12	
29	Rear Cover Plate	1.0	12223000000212	38	
30	Cover components	1.0	12223000000198	86	
45	Fan Motor Holder	1.0	12223000000560	20	
46	E-Parts Box assembly	1.0	172230000000081	210	
46.1	Electrical Control Box	1.0	122230000000052	4	
46.2	Outdoor Inverter Module Subassembly	1.0	171220000008511	186	
46.3	Radiator	1.0	11203803000154	20	

PIONEER RYB Series Heat Pump Inverter Parts Diagram (Outdoor Section)

System Model: RYB048GMFILCRD
Nominal Capacity: 48000 BTU
Power Supply: 208~230 V, 1 Ph, 60Hz.

Outdoor Unit Model: YN048GMFI17RUD
Outdoor Code: 22022516000702



No.	Part Name	Quantity	BOM Code	BIN No.	Remark
1	Room Temperature Sensor	1.0	11201007000039	3	
2	Rear net	1.0	12222000007944	66	
3	Condenser assembly	1.0	15822200001056	613	
3	Condenser assembly	1.0	15822200001058	673	
4	Temperature Sensor	1.0	11201007000006	5	
5	Big Handle	1.0	12222000004019	4	
6	Rear right clapboard assembly	1.0	12222000004215	171	
6.1	Little Handle	1.0	12100702000038	1	
8	Water collector	1.0	12122000014023	7	
9	Front clapboard assembly	1.0	12222000006287	89	
10	Valve plate	1.0	12222000002361	8	
11	Chassis	1.0	12222000006290	154	
12	Partition board assembly	1.0	12222000005733	69	
13	Accumulator cylinder	1.0	15500508000009	122	
15	Left side plate assembly of cabinet	1.0	12222000002363	72	
16	Air outlet grille	2.0	12222000007904	61	
17	Front panel	1.0	12222000007564	175	
18	Axial fan	2.0	12100105000022	53	
19	Brushless DC Motor	1.0	11002015002241	264	
19	Brushless DC Motor	1.0	11002015004201	241	
20	Supporter assembly of fan motor	1.0	12222000006288	103	
21	Copper nut	1.0	15500406000010	3	
21	Copper net	1.0	15500406000003	6	
22	Discharge temperature sensor assembly	1.0	112010070000138	5	
23	Top cover assembly	1.0	12222000002359	63	
24	Inverter Controlled Rotary Compressor	1.0	11103020000029	1797	
25	Parts of compressor exhaust pipe	1.0	15123000008507	132	
25.1	Pressure controller	1.0	17400516000020	27	
26	Gas Valve Assembly	1.0	15423000002958	353	
26.2	Low Pressure Valve	1.0	15500204000061	36	
26.3	4-way valve	1.0	155002160000681	196	
27	Liquid valve assembly	1.0	15423000002959	259	
27.1	Liquid valve	1.0	155002080000026	19	
27.2	Electronic expansion valve	1.0	155002130000245	191	
28	Electronic control box assembly	1.0	17225000001481	2736	
28.1	Installation plate of electric parts	1.0	12222000006289	45	
28.2	Main control board assembly	1.0	17122500001772	454	
28.9	Discharge temp sensor assembly	1.0	112010070000157	7	
28.10	Installation box of electric parts	1.0	12122000014343	12	
28.10	Installation box of electric parts	1.0	12122000014182	11	
28.10	Installation box of electric parts	1.0	12122000014342	12	
28.11	Main control board assembly	1.0	17122000021908	487	
28.12	Main control board assembly	1.0	17122500001774	1360	
29	Terminal Block Subassembly of Electrical Control Box	1.0	17223000003336	110	
29.1	Wire holder	1.0	17400401000082	14	
29.1	terminal block,3p	1.0	17400401000085	20	
29.1	Wire holder	1.0	17400401000098	3	
29.2	Wire joint	1.0	17223000001877	7	
30	Parts of compressor return pipe	1.0	15123000008516	64	
30.1	Pressure switch	1.0	17400516000008	25	
31	PFC Inductor	1.0	11201101000002	339	
34	Cover of inductance	1.0	12222000006284	16	
35	Installation base of inductance	1.0	12222000006286	4	
38	Crankshaft Electrical Heating Strip	1.0	17402001000003	25	
39	Electrical Heating Tube	1.0	17402002000043	94	