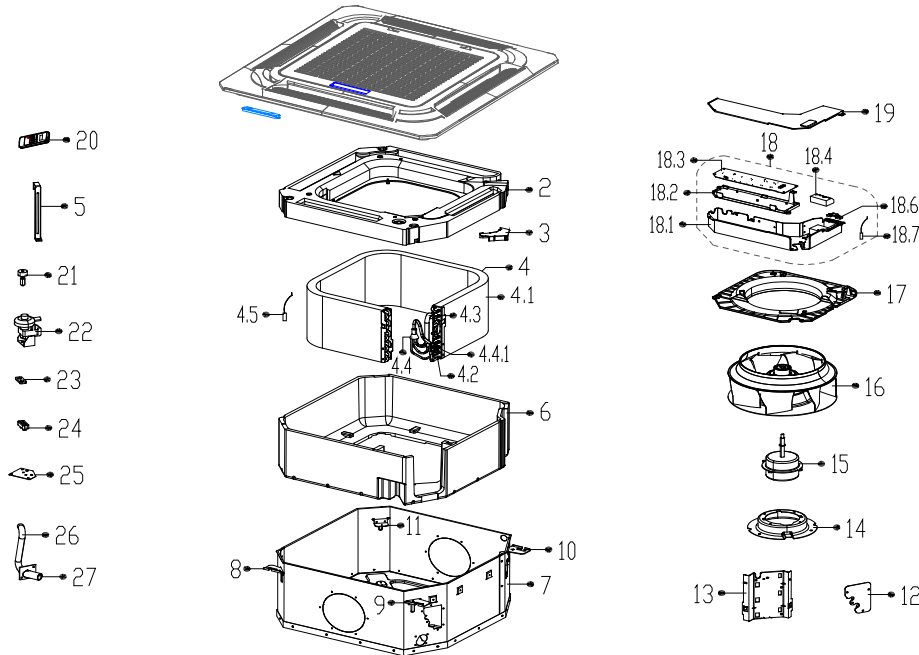


PIONEER CYB Series Heat Pump Inverter Parts Diagram (Indoor Section)

System Model: CYB009GMFILCRD
Nominal Capacity: 9000 BTU
Power Supply: 208~230 V, 1 Ph, 60Hz.

Indoor Unit Model: CB009GMFILCFHD
Indoor Code: 22022511000703

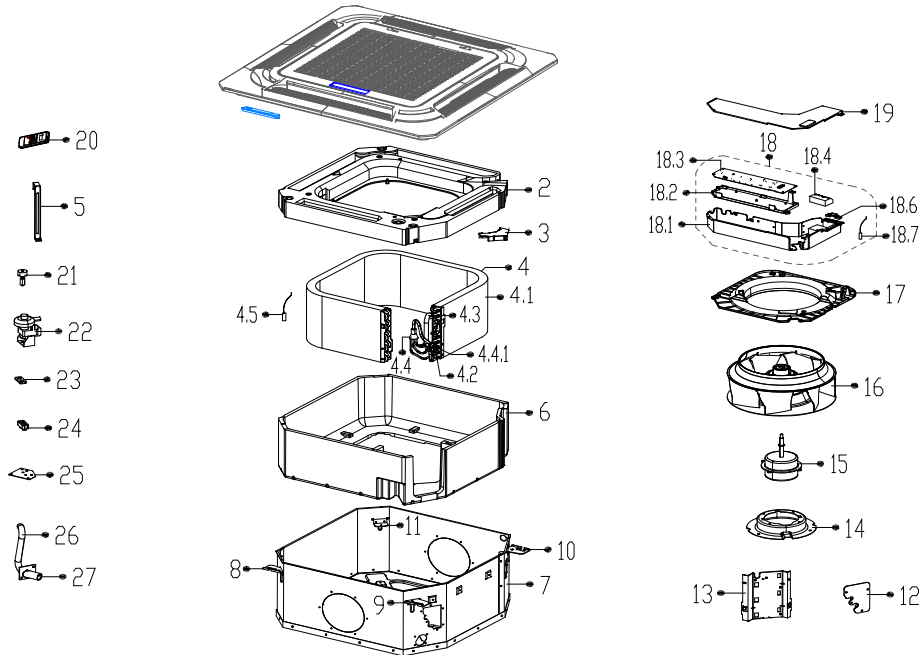


No.	Part Name	Quantity	BOM Code	BIN No.	Remark
2	Water receiver assembly	1.0	12822500000017	179	
3	Line pressing box	1.0	12122500000022	1	
4	Evaporator assembly Gas valve assembly	1.0	15822300000069	205	
4.1	Evaporator	1.0	15822500000182	139	
4.2	Copper nut	1.0	15500406000010	3	
4.3	Outlet Pipes of Evaporator	1.0	151223000000765	34	
4.4	Input pipes of Evaporator assemblyJoint board of Evaporator	1.0	151225000000330	16	
4.4.1	Copper nut	1.0	15500406000016	2	
4.5	Temperature Sensor	1.0	112010070000070	4	
5	Evaporator Fixing hanger	1.0	122225000000093	1	
6	Chassis Foam Subassembly	1.0	128225000000005	32	
7	Chassis Assembly	1.0	122225000000224	146	
8	Hook II	1.0	122225000000191	2	
9	Hook I	1.0	122225000000192	2	
10	Hook IV	1.0	122225000000190	2	
11	Hook III	1.0	122225000000193	2	
12	Sealed board ass'y	1.0	121225000000330	1	
13	Joint board of Evaporator	1.0	122225000000197	4	
14	Motor Installing Foundation	1.0	122225000000199	14	
15	Brushless DC Motor	1.0	110020150000069	411	
16	Centrifugal Fan	1.0	121001030000089	134	
17	Air Guide Coil	1.0	121225000000425	14	
18	E-Parts Box assembly	1.0	172225000000073	317	
18.1	Welding Parts of Electrical Control Box	1.0	122225000000165	18	
18.2	Wiring baseplate	1.0	121225000000029	5	
18.3	Indoor Main Control Board Subassembly (Sticker)Indoor Main	1.0	171225000000314	249	
18.4	Wire holder	1.0	174004010000075	23	
18.6	Wire clamp	1.0	122002030000041	1	
18.7	Room Temperature Sensor	1.0	112010070000283	3	
19	Electrical Control Box Cover Subassembly	1.0	122225000000209	9	
20	Remote controller	1.0	173170000000099	45	
21	Water Level Switch	1.0	174005110000015	16	
22	Induction pump	1.0	110010100000063	87	
23	Rubber Gasket of Water Drain Pump	1.0	126225000000005	3	
24	Pump Rubber washer	1.0	126225000000003	0	
25	Installing Plate of Water Drain Pump(RoHS)	1.0	122225000000352	1	
26	Drainage pipe	1.0	126225000000012	14	
27	Drain pipe	1.0	121005100000019	1	

PIONEER CYB Series Heat Pump Inverter Parts Diagram (Indoor Section)

System Model: CYB012GMFILCRD
Nominal Capacity: 12000 BTU
Power Supply: 208~230 V, 1 Ph, 60Hz.

Indoor Unit Model: CB012GMFILCFHD
Indoor Code: 22022511000710

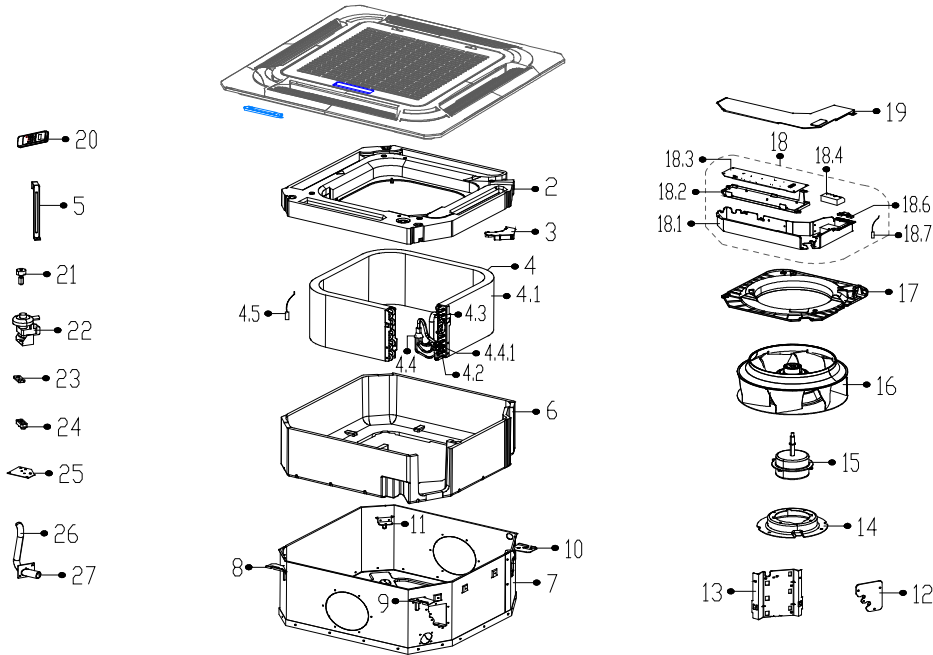


No.	Part Name	Quantity	BOM Code	BIN No.	Remark
2	Water receiver assembly	1.0	12822500000017	179	
3	Line pressing box	1.0	12122500000022	1	
4	Evaporator assembly Gas valve assembly	1.0	15822500000150	339	
4.1	Evaporator	1.0	15822500000173	262	
4.2	Copper nut	1.0	15500406000012	4	
4.3	Outlet Pipes of Evaporator	1.0	15122500000226	35	
4.4	Input pipes of Evaporator assemblyJoint board of Evaporator	1.0	15122500000277	28	
4.4.1	Copper nut	1.0	15500406000016	2	
4.5	Temperature Sensor	1.0	11201007000070	4	
5	Evaporator Fixing hanger	1.0	12222500000093	1	
6	Chassis Foam Subassembly	1.0	12822500000005	32	
7	Chassis Assembly	1.0	12222500000224	146	
8	Hook II	1.0	12222500000191	2	
9	Hook I	1.0	12222500000192	2	
10	Hook IV	1.0	12222500000190	2	
11	Hook III	1.0	12222500000193	2	
12	Sealed board ass'y	1.0	12122500000330	1	
13	Joint board of Evaporator	1.0	12222500000197	4	
14	Motor Installing Foundation	1.0	12222500000199	14	
15	Brushless DC Motor	1.0	11002015000069	411	
16	Centrifugal Fan	1.0	12100103000089	134	
17	Air Guide Coil	1.0	12122500000425	14	
18	E-Parts Box assembly	1.0	17222500000027	317	
18.1	Welding Parts of Electrical Control Box	1.0	12222500000165	18	
18.2	Wiring baseplate	1.0	12122500000029	5	
18.3	Indoor Main Control Board Subassembly (Sticker)Indoor Main	1.0	17122500000307	249	
18.4	Wire holder	1.0	17400401000075	23	
18.6	Wire clamp	1.0	12200203000041	1	
18.7	Room Temperature Sensor	1.0	11201007000283	3	
19	Electrical Control Box Cover Subassembly	1.0	12222500000209	9	
20	Remote controller	1.0	17317000000099	45	
21	Water Level Switch	1.0	17400511000015	16	
22	Induction pump	1.0	11001010000063	87	
23	Rubber Gasket of Water Drain Pump	1.0	12622500000005	3	
24	Pump Rubber washer	1.0	12622500000003	0	
25	Installing Plate of Water Drain Pump(RoHS)	1.0	12222500000352	1	
26	Drainage pipe	1.0	12622500000012	14	
27	Drain pipe	1.0	12100510000019	1	

PIONEER CYB Series Heat Pump Inverter Parts Diagram (Indoor Section)

System Model: CYB018GMFILCRD
Nominal Capacity: 18000 BTU
Power Supply: 208~230 V, 1 Ph, 60Hz.

Indoor Unit Model: CB018GMFILCFHD
Indoor Code: 22022511000711

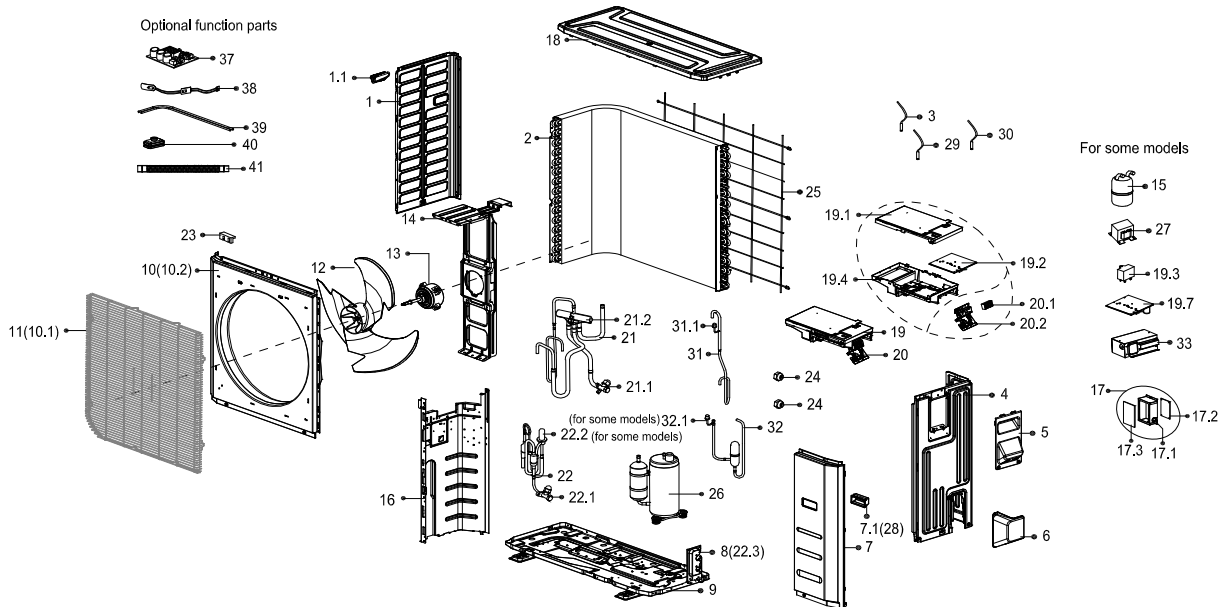


No.	Part Name	Quantity	BOM Code	BIN No.	Remark
2	Water receiver assembly	1.0	12822500000017	196	
3	Line pressing box	1.0	12122500000022	1	
4	Evaporator assembly Gas valve assembly	1.0	15822500000150	339	
4.1	Evaporator	1.0	15822500000173	262	
4.2	Copper nut	1.0	15500406000012	4	
4.3	Outlet Pipes of Evaporator	1.0	15122500000226	35	
4.4	Input pipes of Evaporator assemblyJoint board of Evaporator	1.0	15122500000277	28	
4.4.1	Copper nut	1.0	15500406000016	2	
4.5	Temperature Sensor	1.0	11201007000070	4	
5	Evaporator Fixing hanger	1.0	12222500000093	1	
6	Chassis Foam Subassembly	1.0	12822500000005	32	
7	Chassis Assembly	1.0	12222500000224	146	
8	Hook II	1.0	12222500000191	2	
9	Hook I	1.0	12222500000192	2	
10	Hook IV	1.0	12222500000190	2	
11	Hook III	1.0	12222500000193	2	
12	Sealed board ass'y	1.0	121225000000330	1	
13	Joint board of Evaporator	1.0	12222500000197	4	
14	Motor Installing Foundation	1.0	12222500000199	14	
15	Brushless DC Motor	1.0	11002015000069	411	
16	Centrifugal Fan	1.0	12100103000089	134	
17	Air Guide Coil	1.0	121225000000425	14	
18	E-Parts Box assembly	1.0	17222500000094	317	
18.1	Welding Parts of Electrical Control Box	1.0	12222500000165	18	
18.2	Wiring baseplate	1.0	12122500000029	5	
18.3	Indoor Main Control Board Subassembly (Sticker)Indoor Main	1.0	171225000000412	249	
18.4	Wire holder	1.0	17400401000075	23	
18.6	Wire clamp	1.0	12200203000041	1	
18.7	Room Temperature Sensor	1.0	11201007000283	3	
19	Electrical Control Box Cover Subassembly	1.0	12222500000209	9	
20	Remote controller	1.0	17317000000099	45	
21	Water Level Switch	1.0	17400511000015	16	
22	Induction pump	1.0	11001010000063	87	
23	Rubber Gasket of Water Drain Pump	1.0	12622500000005	3	
24	Pump Rubber washer	1.0	12622500000003	0	
25	Installing Plate of Water Drain Pump(RoHS)	1.0	12222500000352	1	
26	Drainage pipe	1.0	12622500000012	14	
27	Drain pipe	1.0	12100510000019	1	

PIONEER CYB Series Heat Pump Inverter Parts Diagram (Outdoor Section)

System Model: CYB024GMFILCRD
Nominal Capacity: 24000 BTU
Power Supply: 208~230 V, 1 Ph, 60Hz.

Outdoor Unit Model: YN024GMFI22RPD
Outdoor Code: 22022016005099

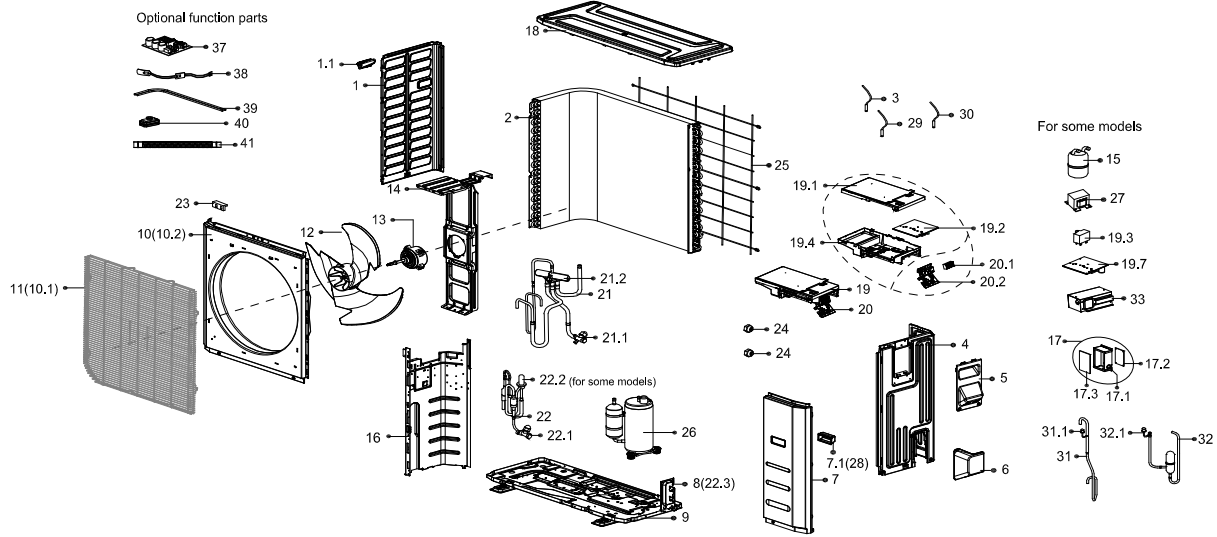


No.	Part Name	Quantity	BOM Code	BIN No.	Remark
1	Left side plate assembly of cabinet	1.0	12222000006665	48	
1.1	Small Handle	1.0	12100701000033	1	
2	Condenser assembly	1.0	15822000003716	946	
3	Temperature Sensor	1.0	11201007000006	5	
4	Rear right clapboard assembly	1.0	12222000006664	82	
5	Big Handle	1.0	12222000004019	8	
6	Water Collecting Cover	1.0	12122200002695	7	
7	Front right clapboard assembly	1.0	12222500000633	61	
7.1	Little Handle	1.0	12100702000038	2	
9	Chassis assembly	1.0	12222000004762	149	
10	Front panel	1.0	12222000004983	123	
11	Air Outlet Guard	1.0	12222200000907	152	
12	Axial fan	1.0	12100105000084	58	
13	Brushless DC Motor	1.0	11002015000247	297	
14	Holder for fan motor assembly	1.0	12222000005162	65	
16	Separator Assembly	1.0	12222200001158	36	
18	Top cover assembly	1.0	12222500000541	79	
19	Electronic control box assembly	1.0	17222000009478	881	
19.1	Electric Installing Box Cover Subassembly	1.0	12122200002713	40	
19.2	Outdoor main control board assembly	1.0	17122000018866	773	
19.4	Electric Installing Box Subassembly	1.0	12122200002717	35	
20	Terminal Block Subassembly of Electrical Control Box	1.0	17222000002906	40	
20.1	Wire holder	1.0	17400401000037	11	
20.2	Wiring terminal installing plate	1.0	12222200001476	4	
21	Piping Assembly	1.0	15422000005608	234	
21.1	Low Pressure Valve	1.0	15500204000025	44	
21.2	4-way Valve	1.0	15500216000026	93	
22	Liquid valve Assembly	1.0	15422000003309	331	
22.1	Low Pressure Valve	1.0	15500204000021	29	
22.2	Electronic expansion valve	1.0	15500213000265	128	
22.3	Installation plate for valves	1.0	12222200002110	6	
23	Clamp of front net	8.0	12122000006844	0	
24	Brass Nut	1.0	15500406000003	8	
24	Brass Nut	1.0	15500406000010	4	
25	Rear net	1.0	12222000006604	29	
26	Inverter Controlled Rotary Compressor	1.0	11103020000179	1184	
27	Reactor	1.0	17400306000058	93	
29	Discharge temperature sensor assembly	1.0	11201007000157	7	
30	Room Temperature Sensor	1.0	11201007000039	4	

PIONEER CYB Series Heat Pump Inverter Parts Diagram (Outdoor Section)

System Model: CYB036GMFILCRD
Nominal Capacity: 36000 BTU
Power Supply: 208~230 V, 1 Ph, 60Hz.

Outdoor Unit Model: YN036GMFI17RUD
Outdoor Code: 22022516000402

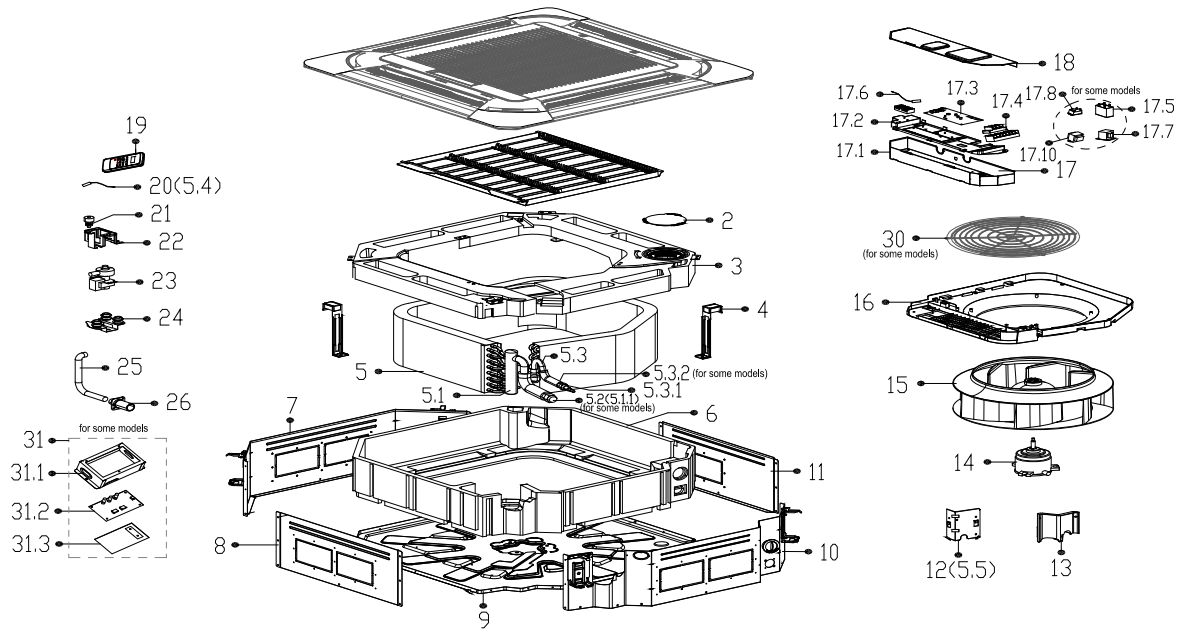


No.	Part Name	Quantity	BOM Code	BIN No.	Remark
1	Left side plate assembly of cabinet	1.0	12222000006665	40	
1.1	Small Handle	1.0	12100701000033	1	
2	Condenser Assembly	1.0	15822200000807	754	
3	Temperature Sensor	1.0	11201007000006	5	
4	Rear right clapboard assembly	1.0	12222000006664	68	
5	Big Handle	1.0	12222000004019	4	
6	Water Collecting Cover	1.0	12122200002695	6	
7	Front right clapboard assembly	1.0	12222500000633	50	
7.1	Little Handle	1.0	12100702000038	1	
9	Chassis assembly	1.0	12222000004018	112	
10	Front panel	1.0	12222000004983	102	
11	Air Outlet Guard	1.0	12222200000907	63	
12	Axial fan	1.0	12100105000084	51	
13	Brushless DC Motor	1.0	11002015000247	252	
14	Holder for fan motor assembly	1.0	12222000005162	47	
15	Accumulator cylinder	1.0	15500508000002	111	
16	Separator Assembly	1.0	12222200001158	29	
18	Topcap assembly	1.0	12222500000587	67	
19	E-Parts Box assembly	1.0	17222500000740	1497	
19.1	Electric Installing Box Subassembly	1.0	12122200002719	49	
19.2	Sticker Subassembly of Outdoor Main Control Board	1.0	17122500001211	334	
19.4	Electric Installing Box Subassembly	1.0	12122200002715	32	
19.7	Outdoor Inverter Module Subassembly	1.0	17122500001174	1113	
20	Terminal Block Subassembly of Electrical Control Box	1.0	17223000000581	59	
20.1	Wire holder	1.0	17400401000098	3	
20.1	Wire holder	1.0	17400401000075	23	
20.2	Wiring terminal installing plate	1.0	12222200001476	3	
21	Gas Valve Assembly	1.0	15422500000236	283	
21.1	Stop valve	1.0	15500204000025	36	
21.2	4-ways valve	1.0	15500216000681	196	
21.4	Compressor suction pipe	1.0	15123000008207	23	
21.5	Compressor exhaust pipe	1.0	15123000003661	11	
22	High-Voltage valve Assembly	1.0	15423000001918	237	
22.1	Stop valve	1.0	15500204000008	23	
22.2	Electronic expansion valve	1.0	15500213000245	191	
22.3	Installation plate for valves	1.0	12222200002110	4	
23	Clamp, front net	8.0	12122000006844	0	
24	Copper net	1.0	15500406000003	6	
25	Rear net	1.0	12222000006604	28	
26	DC Inverter Rotary Compressor	1.0	11103020000439	1376	
29	Discharge temperature sensor assembly	1.0	11201007000246	11	
30	Room Temperature Sensor	1.0	11201007000039	3	
31	Parts of compressor return pipe	1.0	15122500001076	80	
31.1	Pressure switch	1.0	17400516000024	23	
32	Parts of compressor exhaust pipe	1.0	15122500001079	130	
32.1	Pressure switch	1.0	17400516000007	25	

PIONEER CYB Series Heat Pump Inverter Parts Diagram (Indoor Section)

System Model: CYB048GMFILCRD
Nominal Capacity: 48000 BTU
Power Supply: 208~230 V, 1 Ph, 60Hz.

Indoor Unit Model: CB048GMFILCFHD
Indoor Code: 22022511001716

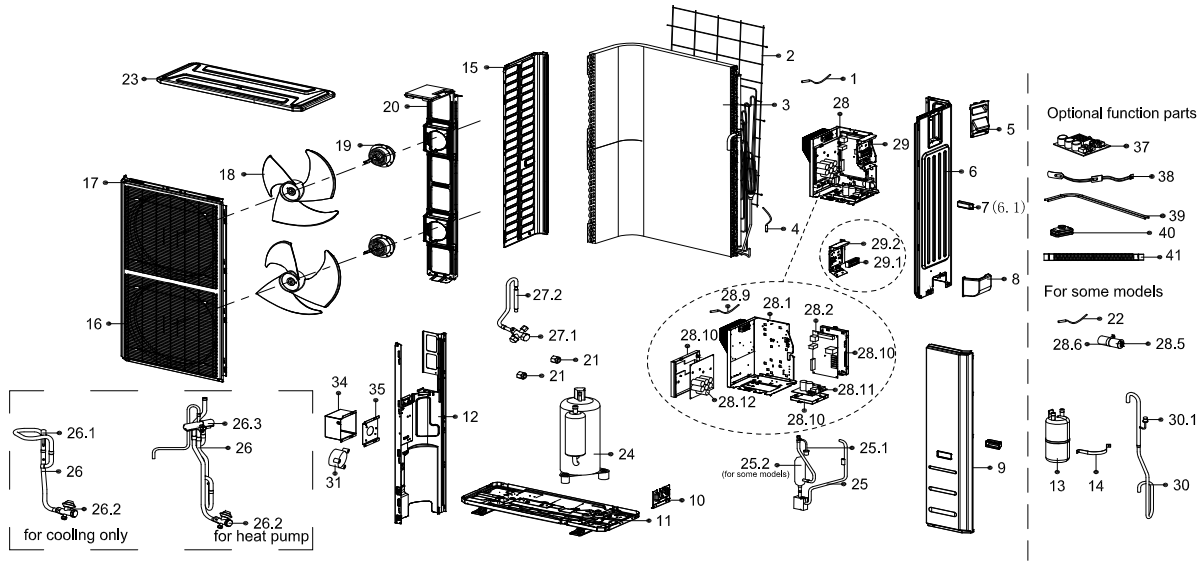


No.	Part Name	Quantity	BOM Code	BIN No.	Remark
2	Water Tightness Testing Cover Subassembly	1.0	12122500000025	1	
3	Water receiver foam subassembly	1.0	12822500000059	211	
4	Evaporator Fixing hanger	2.0	12222500000090	3	
5	Evaporator assembly Gas valve assembly	1.0	15822500000065	691	
5.1	Outlet Pipes of Evaporator	1.0	15122500000647	93	
5.2	Copper net	1.0	15500406000003	6	
5.3	Input pipes of Evaporator assemblyJoint board of Evaporator	1.0	15122500000646	113	
5.3.1	Copper nut	1.0	15500406000010	3	
6	Chassis Foam Subassembly	1.0	12822500000009	72	
7	Boarding Subassembly	1.0	12222500000133	29	
8	Boarding	1.0	12222500000240	12	
9	Chassis Welding Parts	1.0	12222500000122	86	
10	Boarding Subassembly	1.0	12222500000157	29	
11	Boarding	1.0	12222500000233	11	
13	Sealing board for Pipe Tie-in Subassembly	1.0	12122500000331	2	
14	Brushless DC Motor	1.0	11002015000187	362	
15	Centrifugal fan	1.0	12100103000142	183	
16	Air Guide Coil	1.0	12122500000422	57	
17	E-Parts Box assembly	1.0	17222500002100	369	
17.1	Electrical Control Box	1.0	12222500000119	11	
17.2	Wiring baseplate	1.0	12122500000029	5	
17.3	Indoor Main Control Board Subassembly (Sticker)Indoor Main	1.0	17122500002471	271	
17.4	Wire holder	1.0	17400401000075	23	
17.6	Room Temperature Sensor	1.0	11201007000283	3	
17.7	Reactance	1.0	17400306000070	54	
18	Electrical Control Box Cover Subassembly	1.0	12222500000162	9	
19	Remote controller	1.0	17317000000099	45	
20	Temperature Sensor	1.0	11201007000266	7	
20	Temperature Sensor	1.0	11201007000006	5	
21	Water Level Sensor	1.0	11201005000006	15	
22	Water Pump installation bracket assembly	1.0	12222500000102	4	
23	Water Pump Subassembly	1.0	17400802000012	87	
24	Pump rubber washer	3.0	12622500000006	1	
25	Drain pipeExtended water pipe	1.0	12622500000013	14	
26	Drainpipe connector pipe	1.0	12100509000068	2	
31	E-Parts Box assembly	1.0	17222500000195	206	
31.1	Electrical Control Box	1.0	12223000000052	4	
31.2	Outdoor Inverter Module Subassembly	1.0	17122500000770	182	
31.3	Radiator	1.0	11203803000154	20	

PIONEER CYB Series Heat Pump Inverter Parts Diagram (Outdoor Section)

System Model: CYB048GMFILCRD
Nominal Capacity: 48000 BTU
Power Supply: 208~230 V, 1 Ph, 60Hz.

Outdoor Unit Model: YN048GMFI17RUD
Outdoor Code: 22022516000702



No.	Part Name	Quantity	BOM Code	BIN No.	Remark
1	Room Temperature Sensor	1.0	11201007000039	3	
2	Rear net	1.0	12222000007944	66	
3	Condenser assembly	1.0	15822200001056	613	
3	Condenser assembly	1.0	15822200001058	673	
4	Temperature Sensor	1.0	11201007000006	5	
5	Big Handle	1.0	12222000004019	4	
6	Rear right clapboard assembly	1.0	12222000004215	171	
6.1	Little Handle	1.0	12100702000038	1	
8	Water collector	1.0	12122000014023	7	
9	Front clapboard assembly	1.0	12222000006287	89	
10	Valve plate	1.0	12222000002361	8	
11	Chassis	1.0	12222000006290	154	
12	Partition board assembly	1.0	12222000005733	69	
13	Accumulator cylinder	1.0	15500508000009	122	
15	Left side plate assembly of cabinet	1.0	12222000002363	72	
16	Air outlet grille	2.0	12222000007904	61	
17	Front panel	1.0	12222000007564	175	
18	Axial fan	2.0	12100105000022	53	
19	Brushless DC Motor	1.0	11002015002241	264	
19	Brushless DC Motor	1.0	11002015004201	241	
20	Supporter assembly of fan motor	1.0	12222000006288	103	
21	Copper nut	1.0	15500406000010	3	
21	Copper net	1.0	15500406000003	6	
22	Discharge temperature sensor assembly	1.0	11201007000138	5	
23	Top cover assembly	1.0	12222000002359	63	
24	Inverter Controlled Rotary Compressor	1.0	11103020000029	1797	
25	Parts of compressor exhaust pipe	1.0	15123000008507	132	
25.1	Pressure controller	1.0	17400516000020	27	
26	Gas Valve Assembly	1.0	15423000002958	353	
26.2	Low Pressure Valve	1.0	15500204000061	36	
26.3	4-way valve	1.0	15500216000681	196	
27	Liquid valve assembly	1.0	15423000002959	259	
27.1	Liquid valve	1.0	15500208000026	19	
27.2	Electronic expansion valve	1.0	15500213000245	191	
28	Electronic control box assembly	1.0	1722500001481	2736	
28.1	Installation plate of electric parts	1.0	12222000006289	45	
28.2	Main control board assembly	1.0	17122500001772	454	
28.9	Discharge temp sensor assembly	1.0	11201007000157	7	
28.10	Installation box of electric parts	1.0	12122000014343	12	
28.10	Installation box of electric parts	1.0	12122000014182	11	
28.10	Installation box of electric parts	1.0	12122000014342	12	
28.11	Main control board assembly	1.0	17122000021908	487	
28.12	Main control board assembly	1.0	17122500001774	1360	
29	Terminal Block Subassembly of Electrical Control Box	1.0	17223000003336	110	
29.1	Wire holder	1.0	17400401000082	14	
29.1	terminal block,3p	1.0	17400401000085	20	
29.1	Wire holder	1.0	17400401000098	3	
29.2	Wire joint	1.0	17223000001877	7	
30	Parts of compressor return pipe	1.0	15123000008516	64	
30.1	Pressure switch	1.0	17400516000008	25	
31	PFC Inductor	1.0	11201101000002	339	
34	Cover of inductance	1.0	12222000006284	16	
35	Installation base of inductance	1.0	12222000006286	4	
38	Crankshaft Electrical Heating Strip	1.0	17402001000003	25	
39	Electrical Heating Tube	1.0	17402002000043	94	